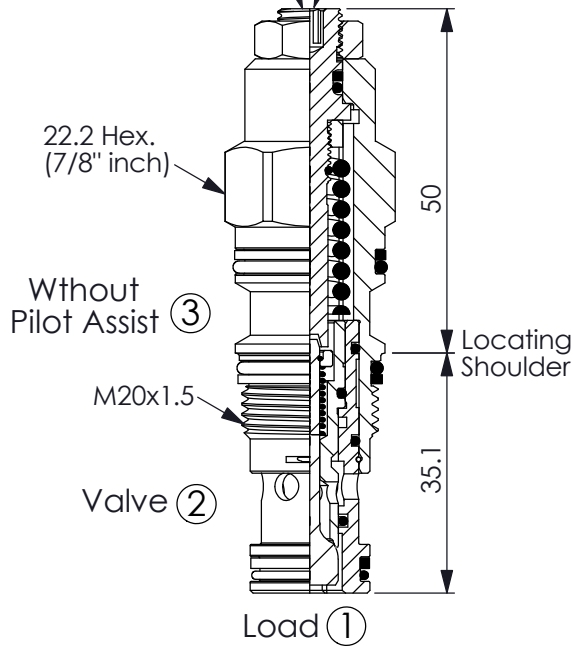


COUNTERBALANCE VALVE (Without Pilot Assist, 3 Port Cavity)

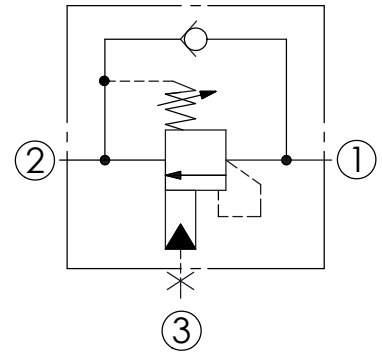
Ordering Code: **CB-11A-X-Y-Z**

Turn screw clockwise to reduce setting and release load.

Control Option:
Maximum extension
from locating shoulder.
(L Control shown)



UNIT:mm



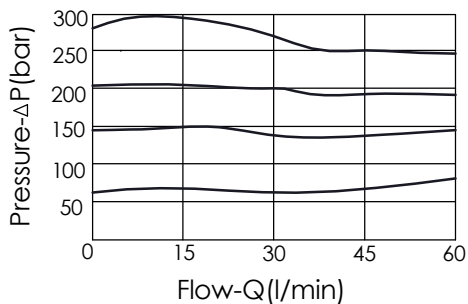
TECHNICAL DATA

Max. Setting:	280	bar
Rated flow:	60	l/min
Cavity-Tooling:	11A-3	
Installation torque:	40-50	Nm
Weight:	0.15	kg

Pressure Setting:

Setting should be 1.3 times maximum load induced pressure.

Typical Relief Characteristics



X PILOT RATIO

23 Without Pilot Assist,
3 Port Cavity

Y

SPRINGS

ADJUSTMENT RANGES (2 bar Cracking Pressure)

H 70 to 280 bar (210 bar Standard Setting)

I 25 to 105 bar (70 bar Standard Setting)

SPECIAL PURPOSES (0.3 bar Cracking Pressure)

A 70 to 280 bar (210 bar Standard Setting)

B 25 to 105 bar (70 bar Standard Setting)

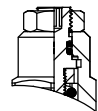
C 140 to 350 bar (210 bar Standard Setting)

E 16 to 55 bar (25 bar Standard Setting)

Z

OPTIONS

L Leakproof hex.
socket screw.



C Stainless Steel
Tamper Resistant
Cover.

