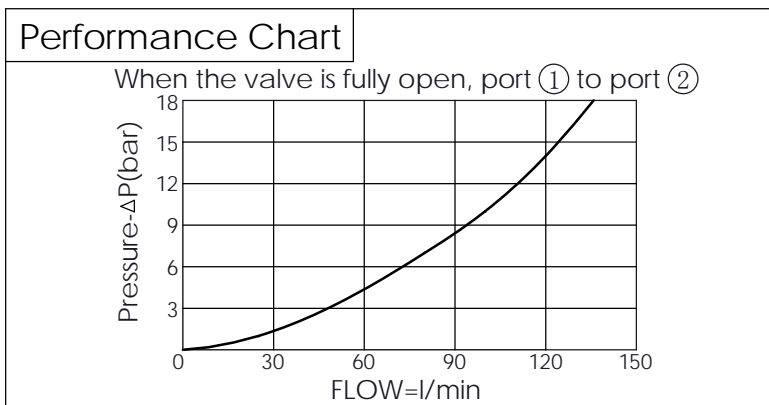
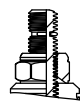
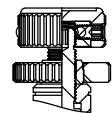
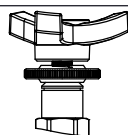


| TECHNICAL DATA           |                                           |
|--------------------------|-------------------------------------------|
| Max. operating pressure: | 350 bar<br>(Refer To Performance Chart)   |
| Rated flow:              | 120 l/min<br>(Refer To Performance Chart) |
| Cavity-Tooling:          | 16A-2                                     |
| Installation torque:     | 200-215 Nm                                |
| Weight:                  | 0.55 (Z:L) kg                             |



| X         | OPERATION          |
|-----------|--------------------|
| <b>21</b> | 2 to 1 (Free Flow) |

| Y         | OPTIONS                                                 |                   |
|-----------|---------------------------------------------------------|-------------------|
|           | Maximum Nominal Orifice<br>(Refer To Performance Chart) | Cracking Pressure |
| <b>BC</b> | Ø 9.7 mm                                                | 2.0 bar           |

| Z        | OPTIONS                                                                                                            |
|----------|--------------------------------------------------------------------------------------------------------------------|
| <b>L</b> | Leakproof hex. socket screw.  |
| <b>K</b> | Handknob with Lock Knob.      |
| <b>T</b> | Three-winged Handknob Kit.    |