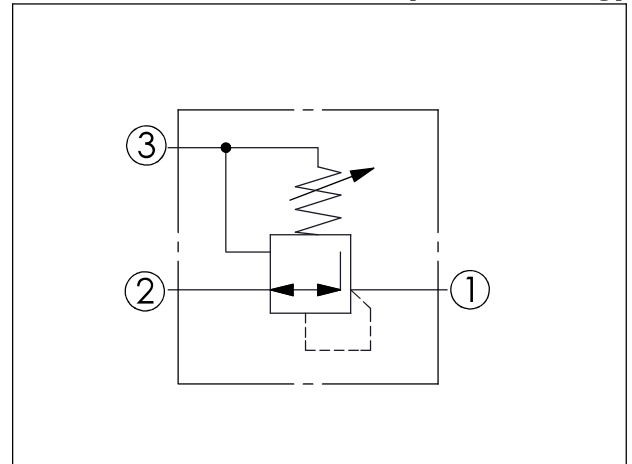
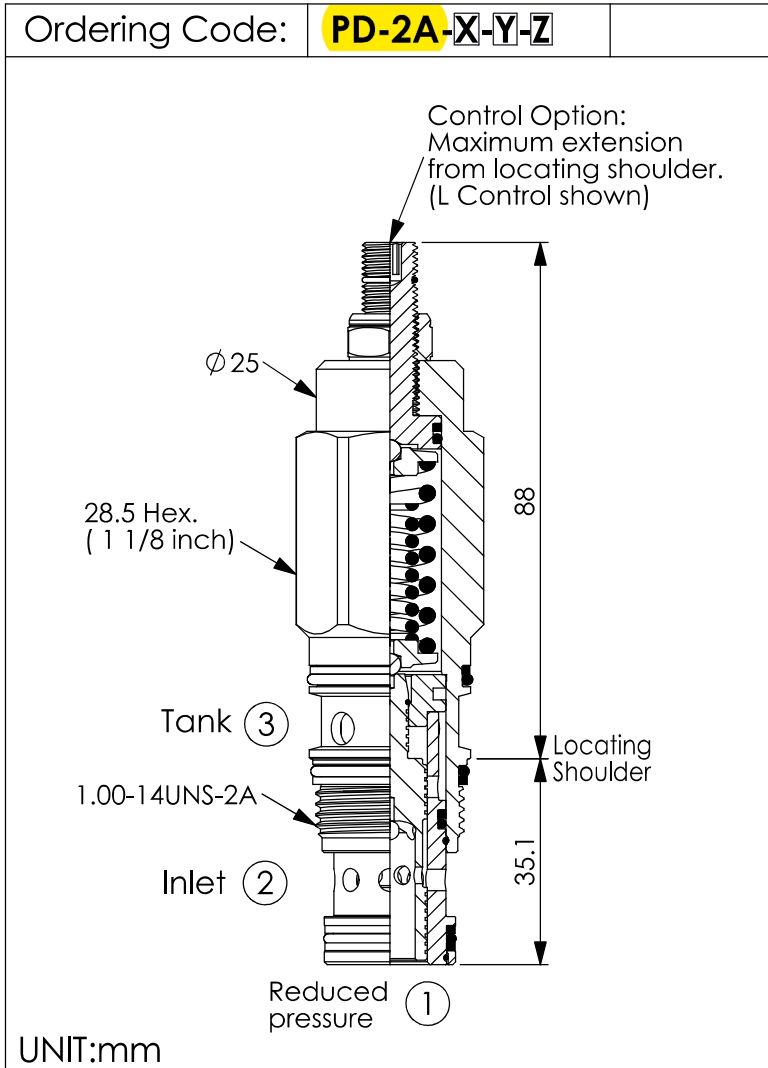
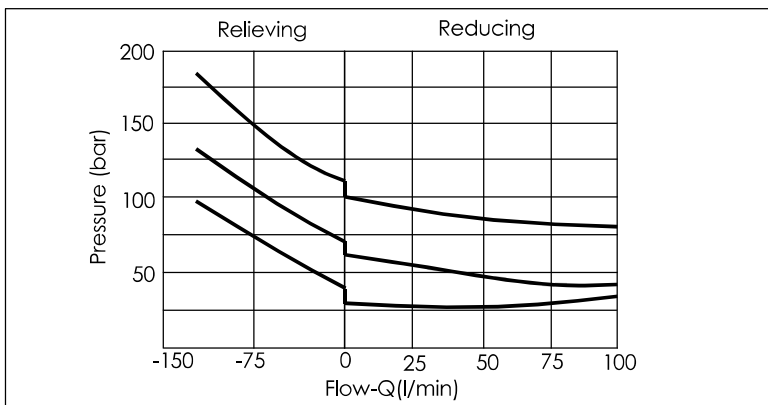


## REDUCING/RELIEVING VALVE (Direct Acting)



TECHNICAL DATA		
Max. Operating pressure:	350	bar
Rated flow:	80	l/min
Cavity-Tooling:	2A-3	
Installation torque:	60-70	Nm
Weight:	0.35 (Z:L)	kg



X	OPERATION
<b>30</b>	<b>Standard Type</b>
Maximum Leakage (50 cc/min./70 bar) (46 cSt, 40°C)	

Y	SPRINGS	
	ADJUSTMENT RANGES	
<b>A</b>	50-210 bar (70 bar Standard Setting)	
<b>B</b>	20-105 bar (35 bar Standard Setting)	
<b>D</b>	14-55 bar (28 bar Standard Setting)	
<b>E</b>	7-28 bar (14 bar Standard Setting)	
<b>W</b>	76-315 bar (76 bar Standard Setting)	

Z	OPTIONS	
<b>L</b>	Leakproof hex. socket screw.	
<b>C</b>	Stainless Steel Tamper Resistant Cover.	
<b>K</b>	Handknob with Lock Knob.	