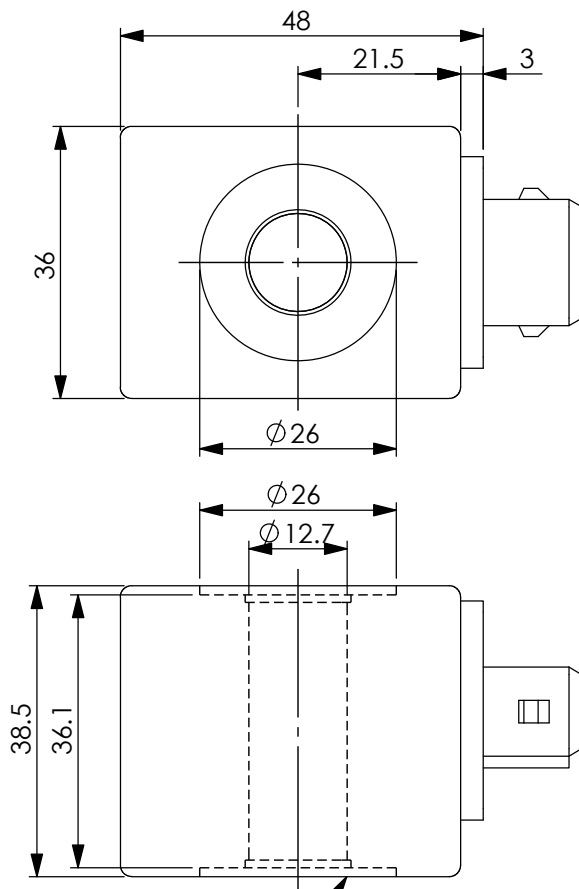
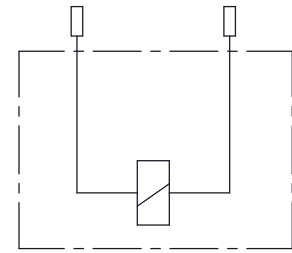


Ordering Code: **EC-04W-X-Y-Z**



UNIT:mm

While installing, please be sure that this side is toward to the solenoid cartridge valve.



### TECHNICAL DATA

Weight: 0.22 kg

HEAT INSULATION CLASS H:  
356°F (180°C)

Ambient temperature range:  
-22+140°F (-30+60°C)

Available on request:  
Different Voltages -  
Different connectors.

Inlet voltage fluctuations must not exceed  $\pm 10\%$  of nominal voltage to obtain correct operation and long life of coils.

CE approved

X	Power (W)	Y	Connections
<b>200</b>	<b>20 Watt.</b>	<b>A</b>	<b>AMP JUNIOR (L)</b>

Z	Voltage (V)	Resistance ( $\Omega$ )	Current (A)	
	Nominal	20~25 °C	Cold Coil	Hot Coil
F	10V DC	5.0 $\pm$ 8 %	1.98	1.28
<b>E</b>	<b>12V DC</b>	7.5 $\pm$ 7 %	<b>1.66</b>	1.06
N	20V DC	20 $\pm$ 7 %	0.99	0.65
D	24V DC	28.6 $\pm$ 7 %	0.88	0.53
G	26V DC	34.2 $\pm$ 7 %	0.77	0.52
J	28V DC	39.2 $\pm$ 7 %	0.71	0.50
L	36V DC	64 $\pm$ 7 %	0.56	0.36
H	48V DC	110 $\pm$ 7 %	0.45	0.28