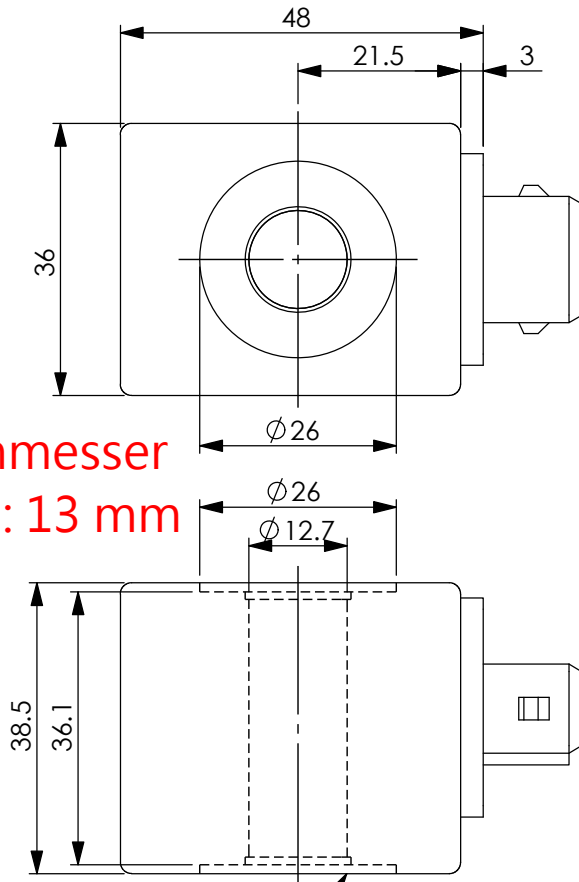


Ordering Code: **EC-04W-X-Y-Z**



While installing, please be sure that this side is toward to the solenoid cartridge valve.



UNIT:mm

TECHNICAL DATA

Weight: 0.22 kg

HEAT INSULATION CLASS H:
356°F (180°C)

Ambient temperature range:
-22+140°F (-30+60°C)

Available on request:
Different Voltages -
Different connectors.

Inlet voltage fluctuations must not exceed $\pm 10\%$ of nominal voltage to obtain correct operation and long life of coils.

CE approved

Kerndurchmesser
gemessen: 13 mm

X	Power (W)
200	20 Watt.

Y	Connections
A	AMP JUNIOR (L)

Z	Voltage (V)	Resistance (Ω)	Current (A)	
	Nominal	20~25 °C	Cold Coil	Hot Coil
F	10V DC	5.0 \pm 8 %	1.98	1.28
E	12V DC	7.5 \pm 7 %	1.66	1.06
N	20V DC	20 \pm 7 %	0.99	0.65
D	24V DC	28.6 \pm 7 %	0.88	0.53
G	26V DC	34.2 \pm 7 %	0.77	0.52
J	28V DC	39.2 \pm 7 %	0.71	0.50
L	36V DC	64 \pm 7 %	0.56	0.36
H	48V DC	110 \pm 7 %	0.45	0.28