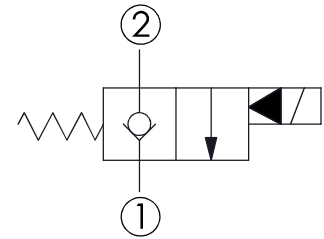
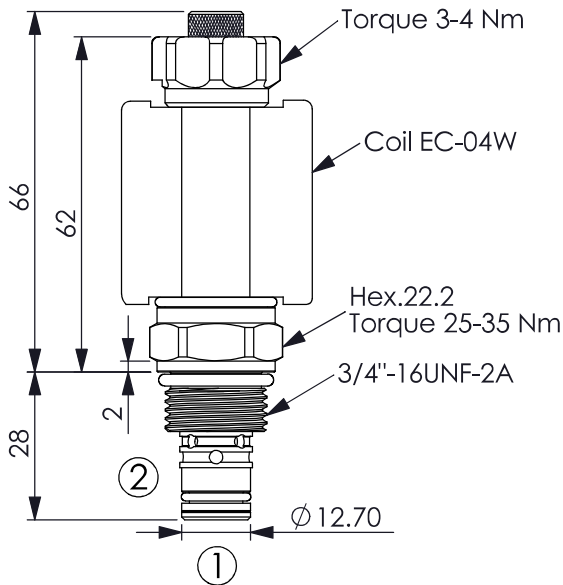


Ordering Code: **EP-08W-X-Y-Z-04**

➤ **EP-08W-2A-01-N-04**



TECHNICAL DATA

Max. Operating pressure: **350 bar**

Rated flow: **30 l/min**

Cavity-Tooling: **08W-2**

Installation torque: **25-35 Nm**

Weight: **0.13 kg**

Fluids-Temperatures: **-40~120 °C**

Internal Leakage: **0.15cc/minute**

(3 drops/minute) max.at 350 bar

Filtration: **25 µm nominal or better**

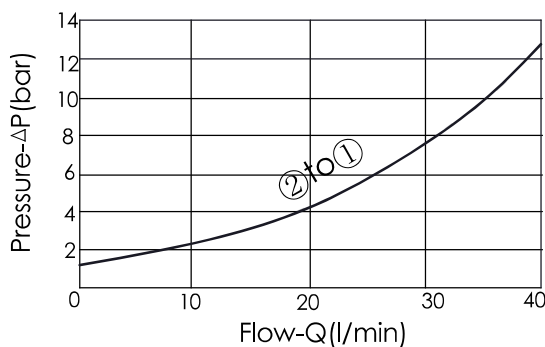
Minimum Voltage Required:

90 % of nominal

Coils must be ordered separately

Mounting Position: **unrestricted**

UNIT:mm



Y

OPERATION

01

**Normally-Closed
No Reverse Flow Energized**

X

STRUCTURE

2A

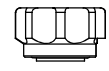
2 Ports · 20 Watt. Coil

Z

OPTIONS

N

Non-adjustable



M

Screw-out Knob Style

