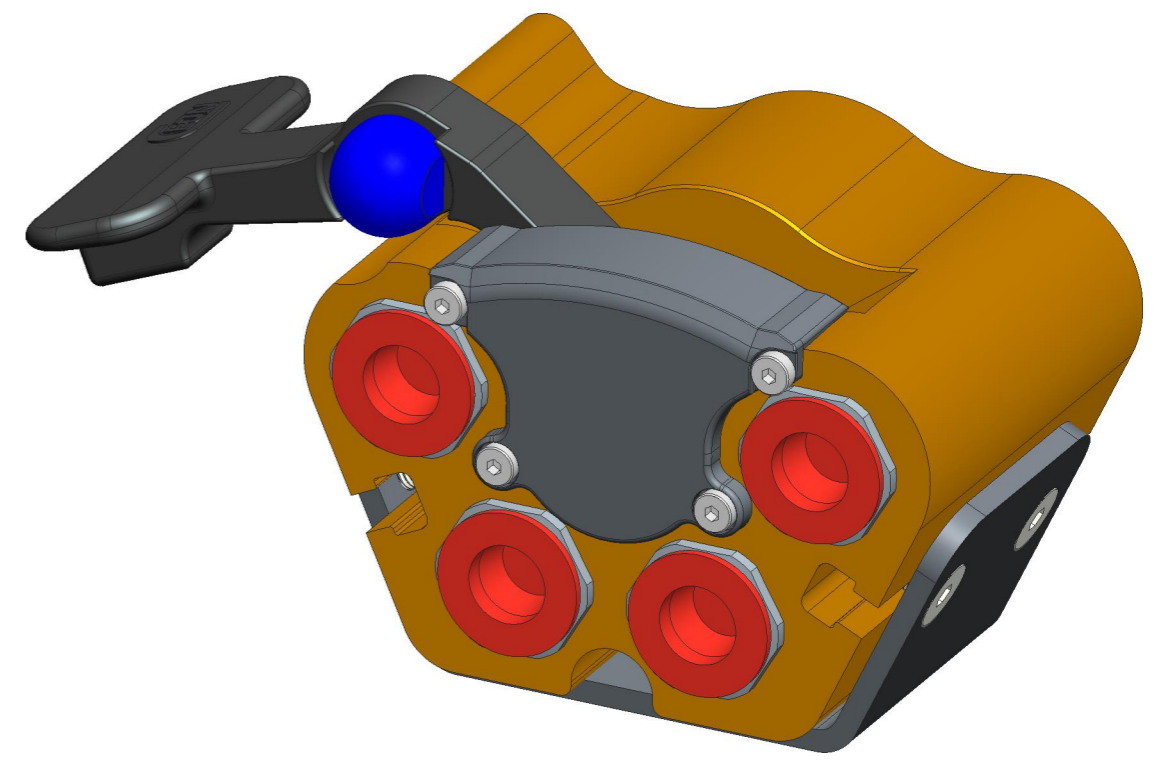
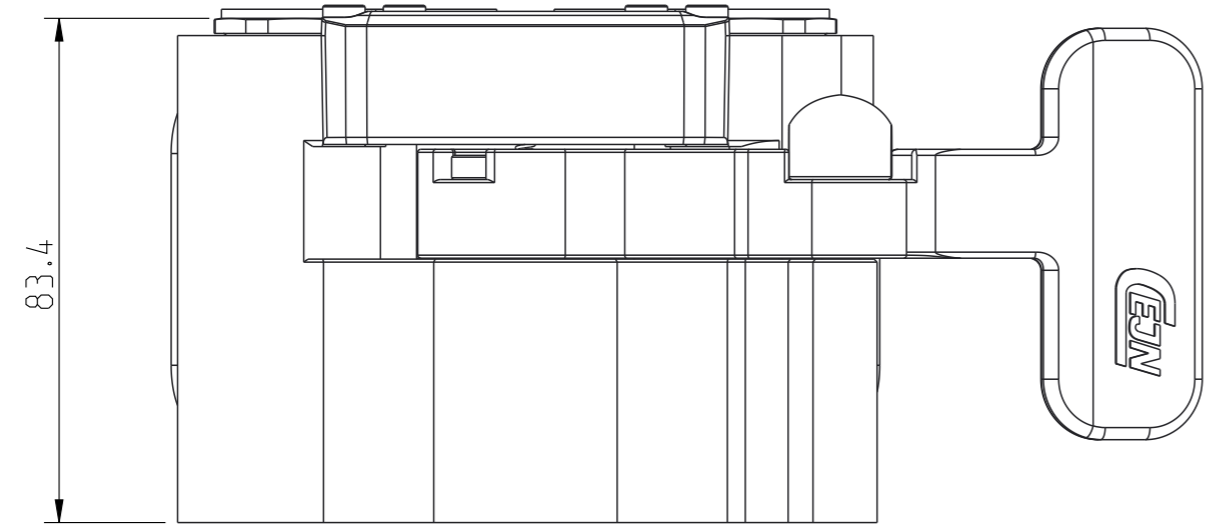
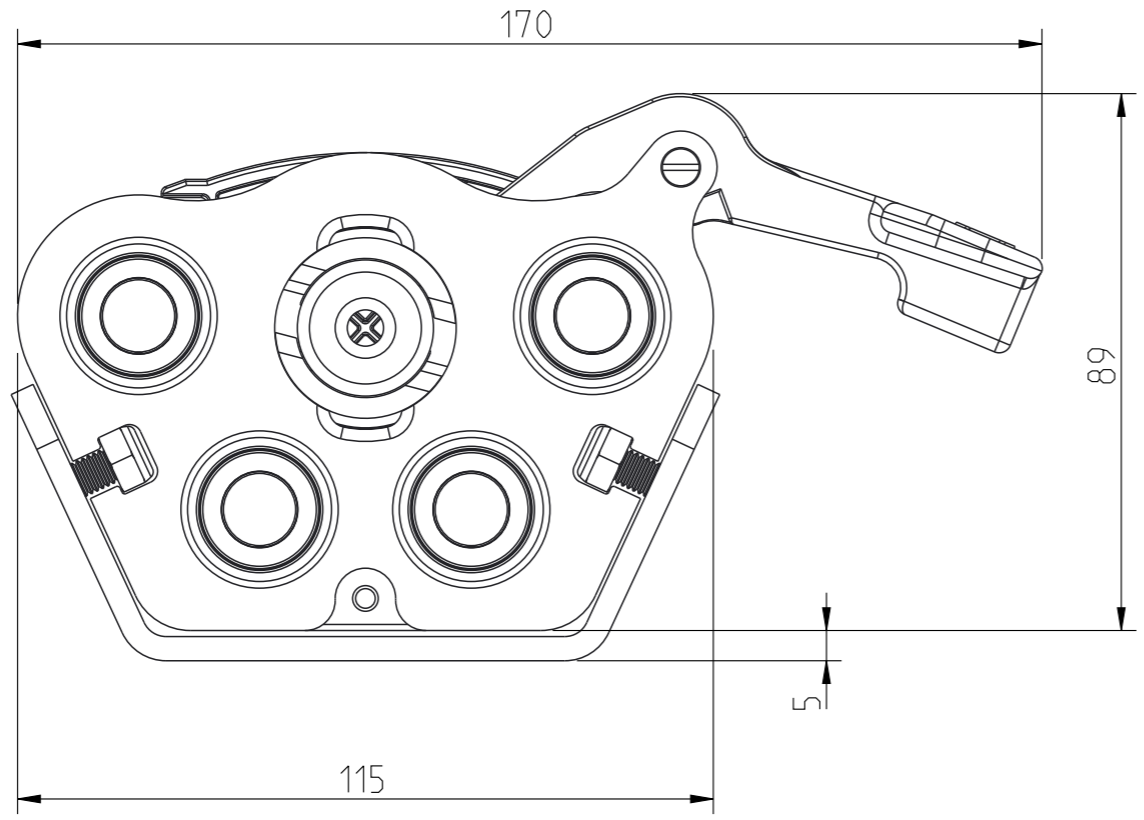
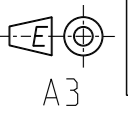


Alla rättigheter förbehålls.
 All rights reserved.
 Alle rechte vorbehalten.

Denna handling får ej utan vårt medgivande delges annan, kopieras eller eljest obehörigen användas.
 Överräddelse härvid beivras med stöd av gällande lag.
 This document must not be copied, either completely or in part, without permission.
 Any infringement will have legal consequences.



1:1

Product no.: 10_932_3000		
Max working pressure:	350	bar connected
	350	bar disconnected
Min burst pressure:	1200	bar connected
	1200	bar disconnected
Sealing material:	NBR	
Temperatur range:	-30°C - 100 °C	
Nominal flow diameter, DN:	10	mm
Connection	WEO 1/2"	
Connection stroke:		mm

6	1	Lock in house Kit		10_932_4992
5	1	Lever Assembly		10_932_4960
4	1	Kit Mounting Br.	Steel	10_932_4965
3	1	Coupling profile	Alu.	09_932_6710
2	4	Coupling Kit DN10		10_365_1905
1	1	Back Lid Kit		10_932_4961

Detalj Item	Antal Quant.	Benämning Description	Material Material	Detaljnummer Detail number
Skala Scale		1:1	Ritad Drawn	Kontroll Checked
Godk. Appr.		JoEr	Godk. Appr.	PMB
Äm nr. Alt. no.		-	Dat. Date	15-08-14
Ritning nr./Drawing No.			Utg./Issue	
50_932_3000			AC	



Assembly drawing

50_932_3000

AC