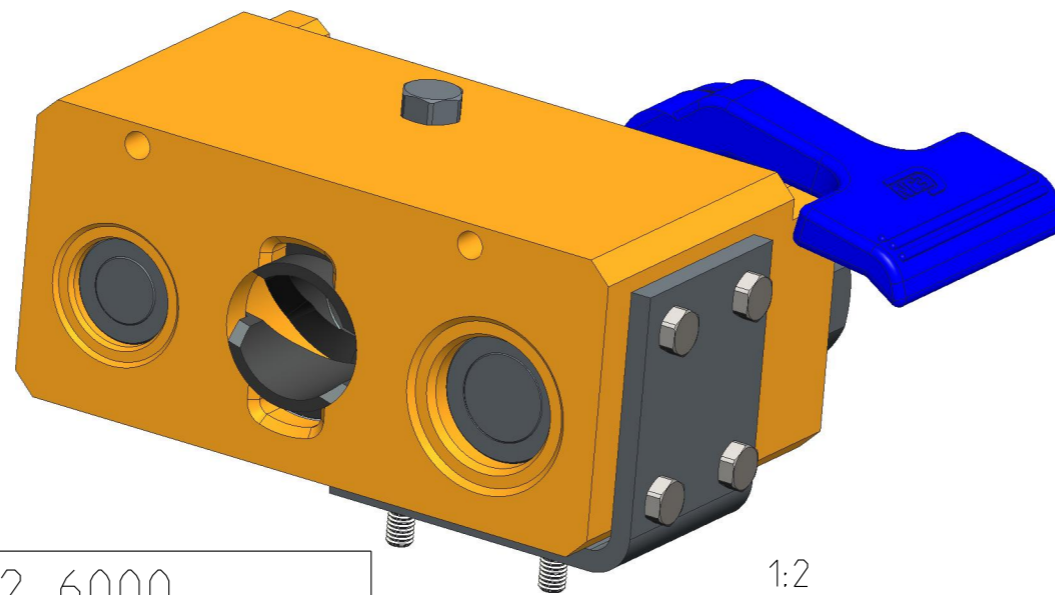
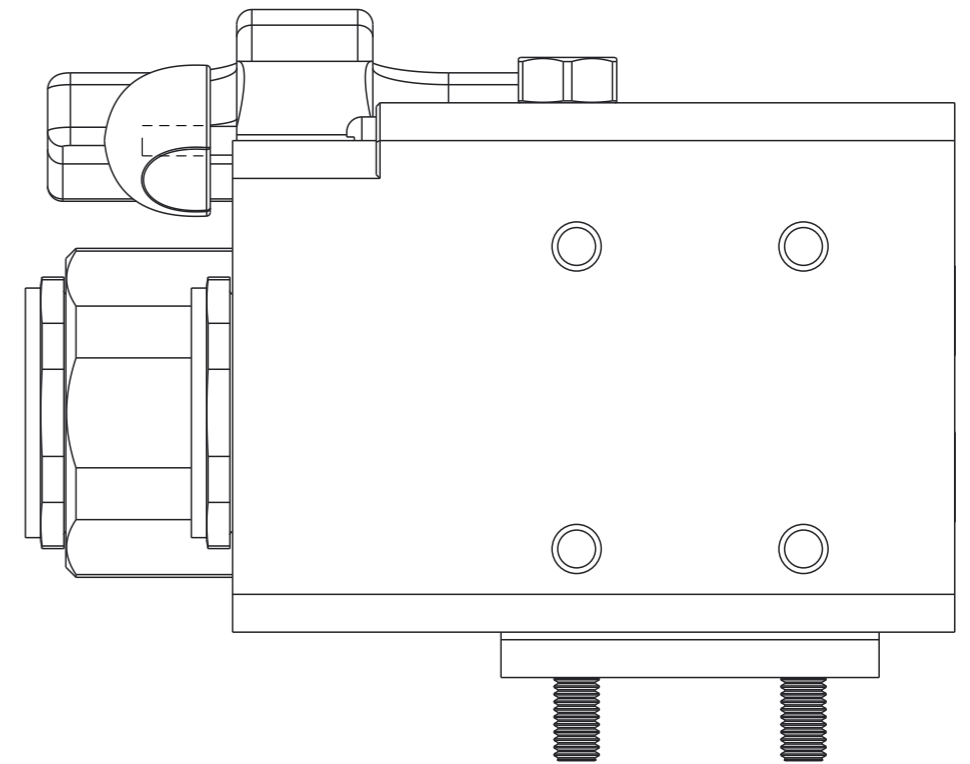
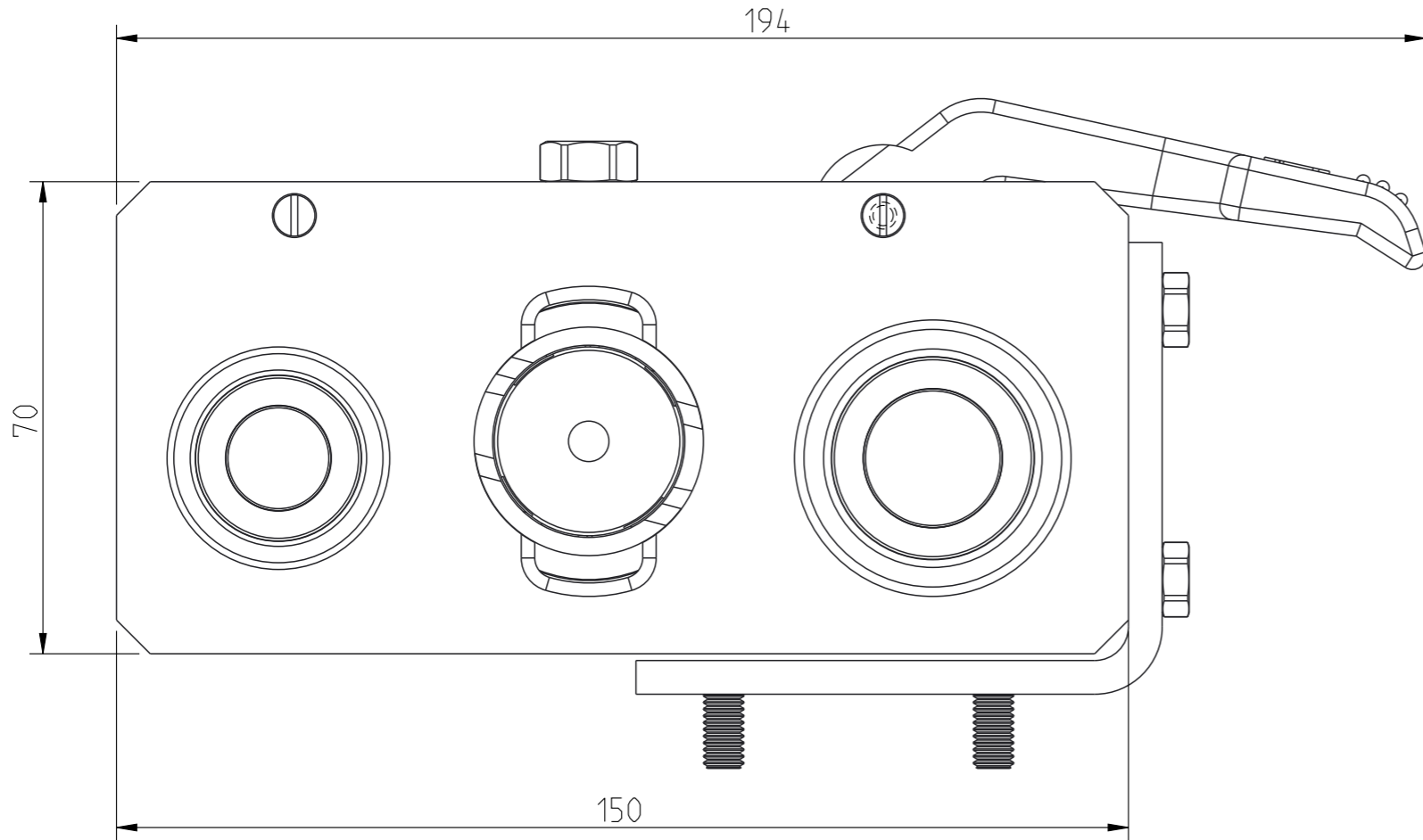


Diese Zeichnung darf weder ganz noch teilweise ohne unsere ausdrückliche Genehmigung kopiert oder auf andere Weise vervielfältigt werden. Alle Rechte vorbehalten.

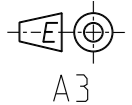
Denna handling får ej utan vårt medgivande delges annan, kopieras eller eljest obehörigen användas. Övertryckelse härvid beivras med stöd av gällande lag. This document must not be copied, either completely or in part, without permission. Any infringement will have legal consequences.



10	2	Spring	Stainless Steel	09_361_3200
9	1	Screw	Brass, Ni plated	09_933_0917
8	1	Screw	Brass, Ni plated	09_932_0908
7	2	Nut	Brass, Ni plated	09_933_0808
6	1	Mounting bracket		09_932_9022
5	1	Locking screw	Steel, ZnNi	09_932_0913
4	1	Handle kit		09_932_9026
3	1	Coupling kit DN12,5		10_565_1907
2	1	Coupling kit DN19		10_765_1901
1	1	Coupling Block	Aluminium	09_932_6780
Detalj Item	Antal Quant.	Benämning Description	Material Material	Detaljnummer Detail number

Product no.: 10_932_6000		
Max working pressure:	350	bar connected bar disconnected
Min burst pressure:	1200	bar connected bar disconnected
Sealing material:	NBR/PUR	
Temperatur range:	-30°C - 100 °C	
Nominal flow diameter, DN:	mm	
Connection	WEO 3/4"	
Connection stroke:	mm	

CEJN	Skala Scale	1:1	Ritad Drawn	CEJN AB/PEOD	Kontroll Checked	Godk. Appr.	-	Äm nr. Alt. no.	-	Dat. Date	13-11-19
	Assembly drawing		Ritning nr./Drawing No.			50_932_6000		Utg./Issue		AA	



A3