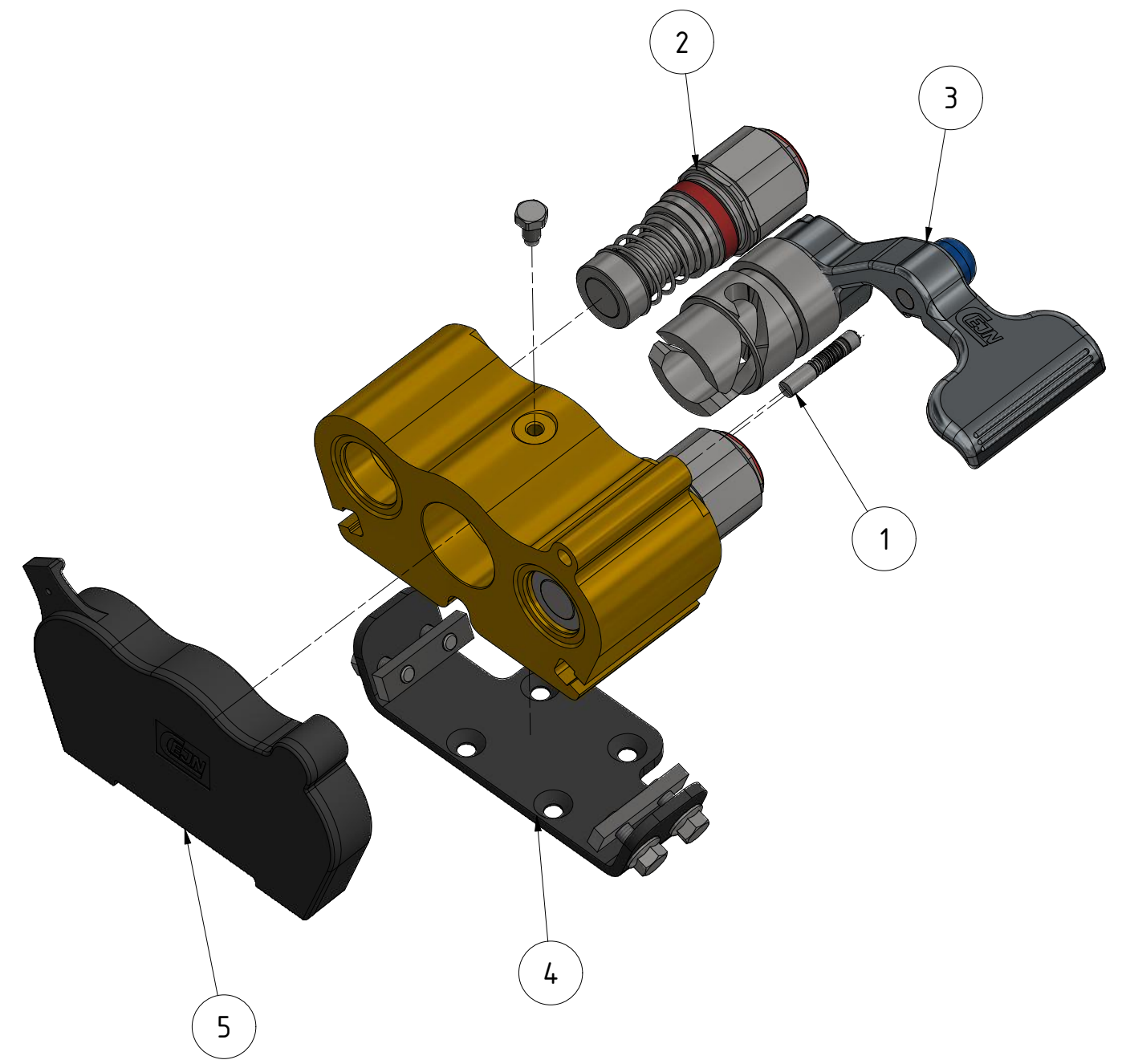
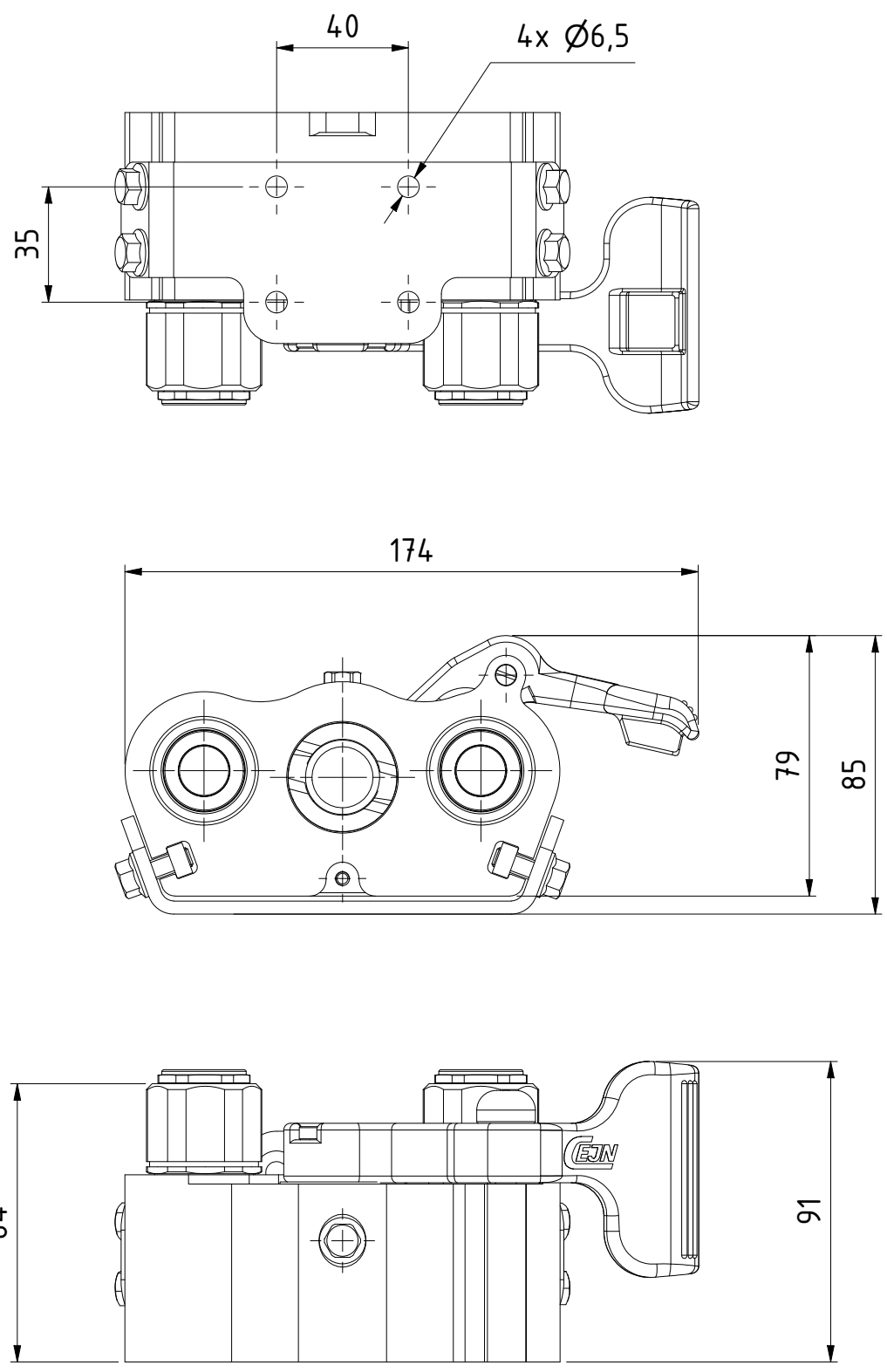



This document must not be copied, either completely or in part, without permission. Any infringement will have legal consequences ©



| | |
|--------------------------------|-------------------|
| Product No. | 109322101 |
| Nominal flow \varnothing DN: | 12.5 mm |
| Connection Stroke: | mm |
| Max WP Connected: | 350 bar |
| Max WP Disconnected: | 350 bar |
| Min BP Connected: | 1200 bar |
| Min BP Disconnected: | 1200 bar |
| Temperature range: | -30°C - 100°C |
| Connection: | 1/2" WEO (DN12.5) |
| Sealing material: | NBR |
| Hexagon: | |

| Item | Qty | Description | Material | Part Number |
|------|-----|------------------------------|----------|-------------|
| 5 | 1 | Dust Cap | | 109321002 |
| 4 | 1 | Kit Mounting Br. | Steel | 109324934 |
| 3 | 1 | Lever assembly (DN12) | | 109324951 |
| 2 | 2 | Coupling DN12.5 - WEO DN12.5 | | 105651909 |
| 1 | 1 | Lock in house Kit | | 109324992 |

| | | | | | | | | | | | |
|---|-------|-------|----|---------|------|-------|-----|-----|-------|-------|------------|
| Scale | 1 : 2 | Drawn | EP | Checked | JoEr | Appr. | PMB | ECO | 12493 | Date | 2019-06-12 |
|  Assembly Drawing 509322101 | | | | | | | | | | Issue | AA |
| | | | | | | | | | | Sheet | 1 / (1) |

A3