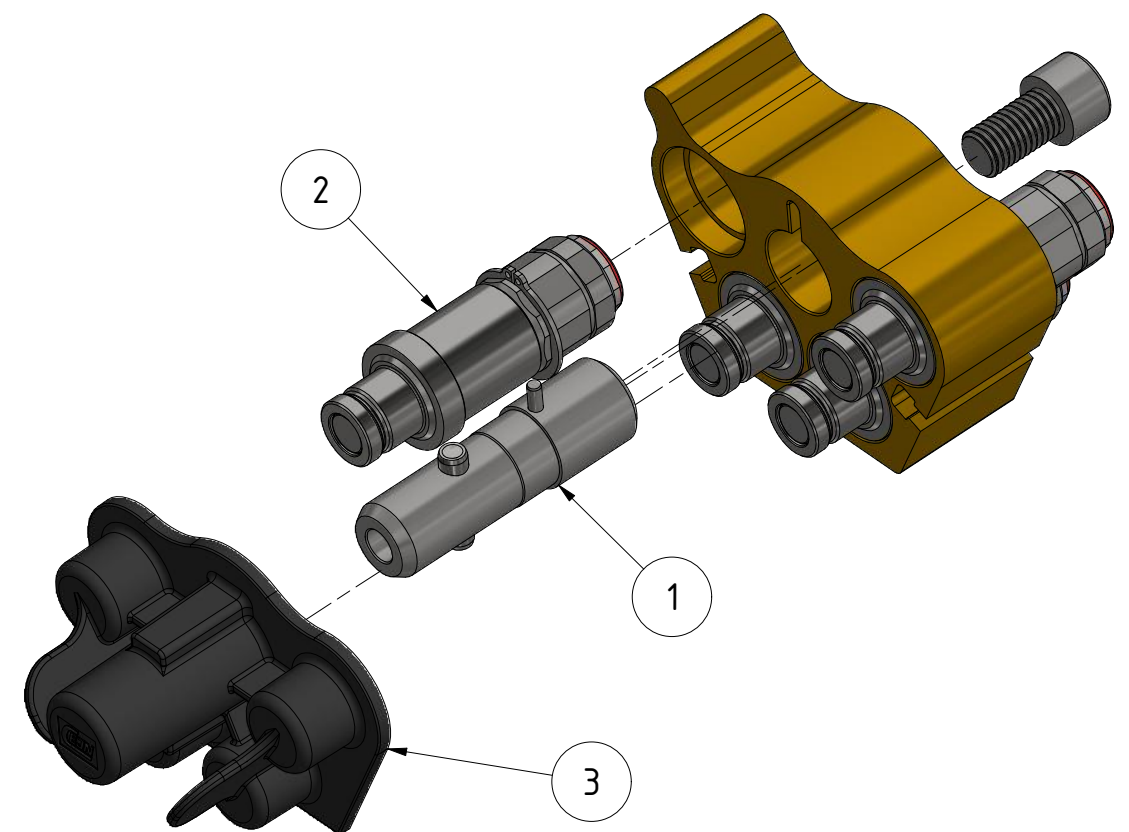
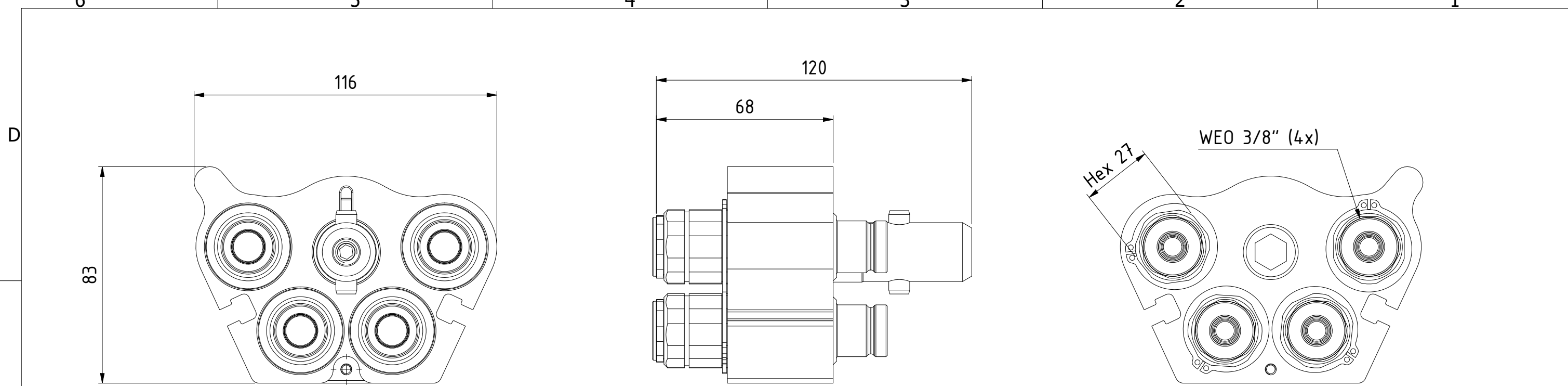



This document must not be copied, either completely or in part, without permission. Any infringement will have legal consequences ©



Product No. 109323150	
Nominal flow \varnothing DN:	10 mm
Connection Stroke:	mm
Max WP Connected:	350 bar
Max WP Disconnected:	350 bar
Min BP Connected:	1200 bar
Min BP Disconnected:	1200 bar
Temperature range:	-30°C - 100°C
Connection:	WEO 3/8" (DN10)
Sealing material:	NBR
Hexagon:	

Item	Qty	Description	Material	Part Number
3	1	Dust Cap		109321051
2	4	Nipple Kit DN10		103646909
1	1	Center Bolt Kit		109324962

Scale	2 : 3	Drawn	EP	Checked	JoEr	Appr.	PMB	ECO	12493	Date	2019-06-12		
 Assembly Drawing 509323150										Issue	AA	Sheet	1 / (1)

A3