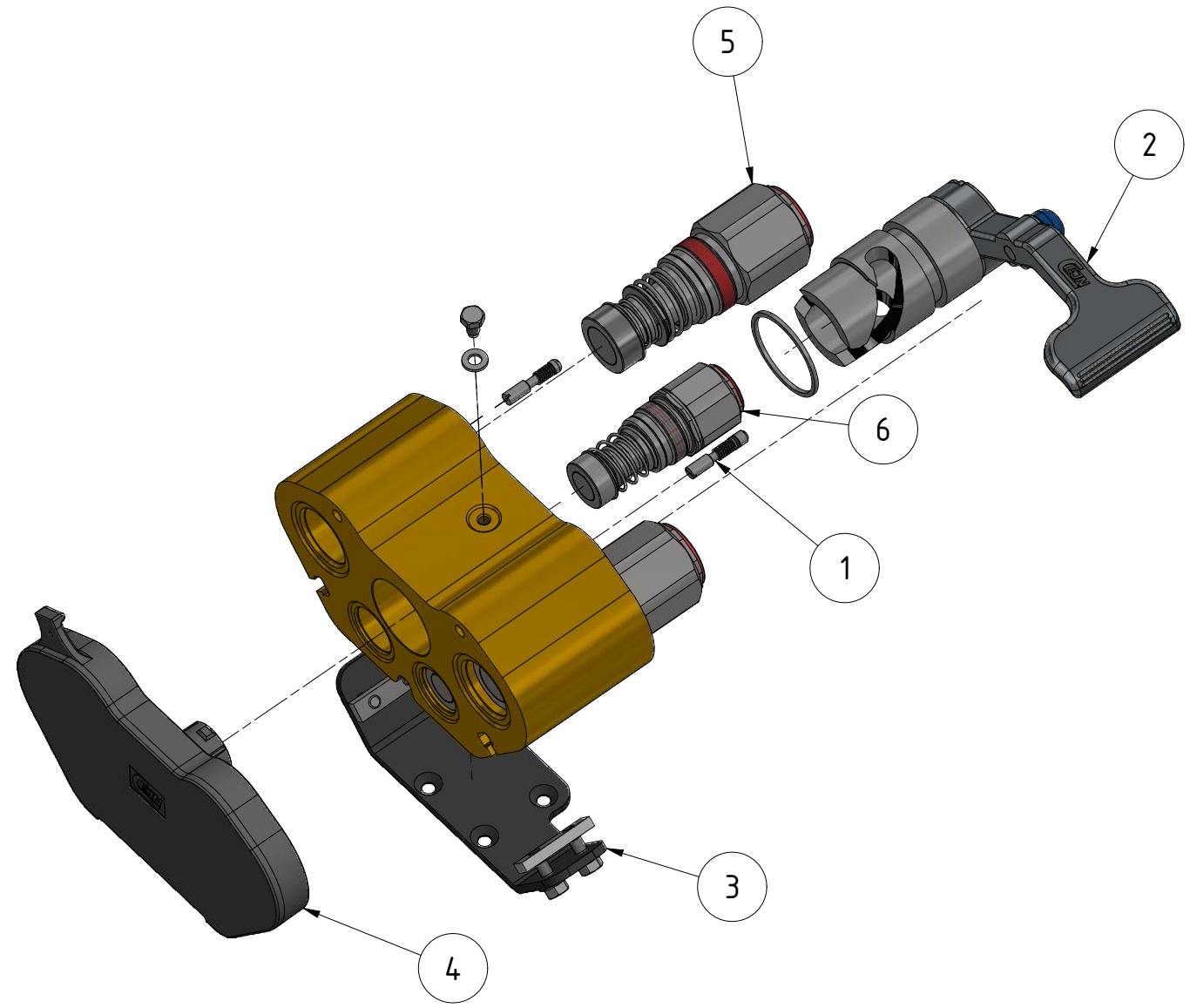
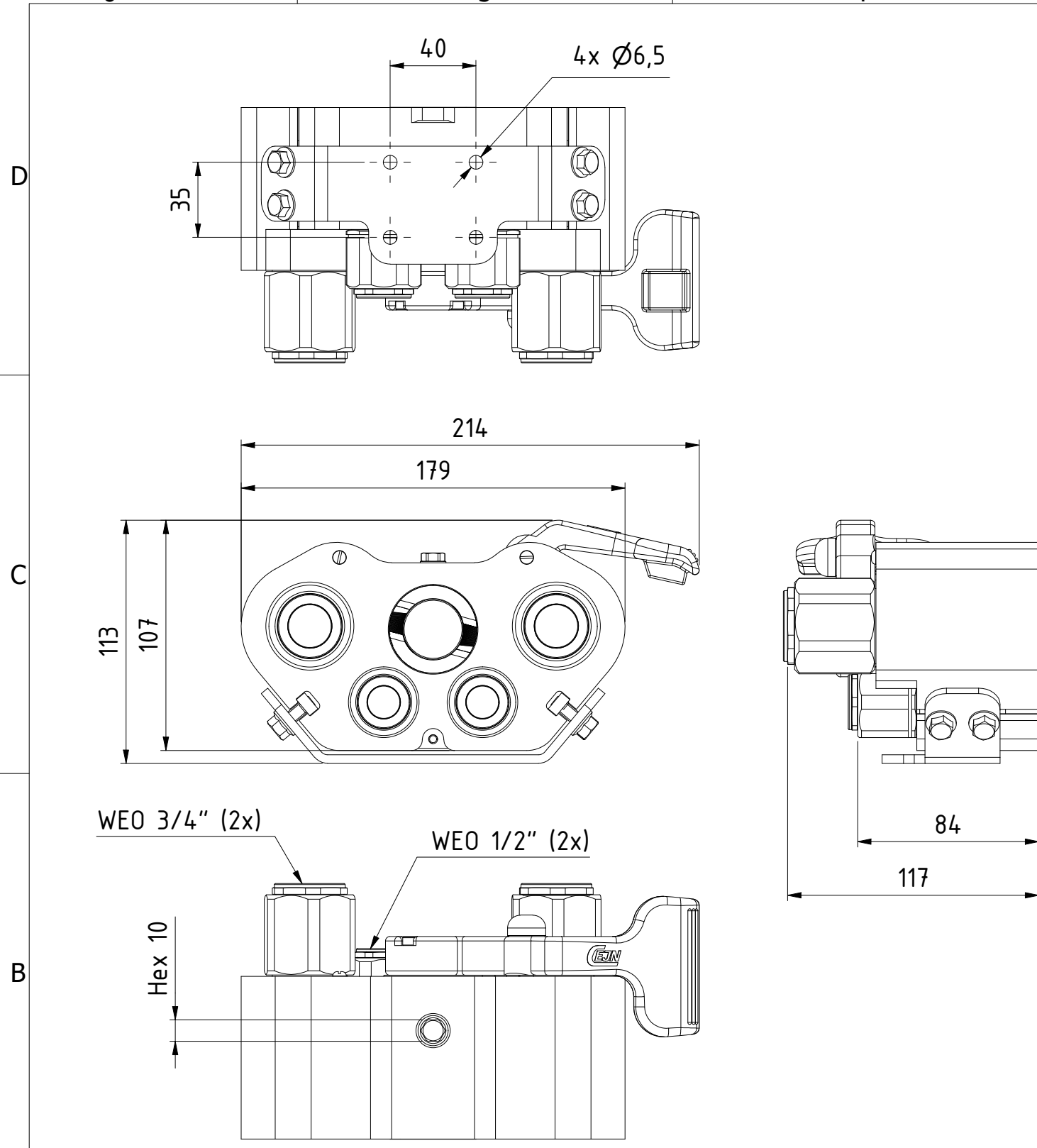



This document must not be copied, either completely or in part, without permission. Any infringement will have legal consequences ©



Product No. 109325100	
Nominal flow Ø DN:	12.5/19 mm
Connection Stroke:	mm
Max WP Connected:	350 bar
Max WP Disconnected:	bar
Min BP Connected:	1200 bar
Min BP Disconnected:	bar
Temperature range:	-30°C - 100°C
Connection:	WEO 1/2" & 3/4"
Sealing material:	NBR/PUR
Hexagon:	

Item	Qty	Description	Material	Part Number
6	2	Coupling DN12.5 - WEO DN12.5		105651909
5	2	Coupling DN19 - WEO 3/4" (DN20)		107651908
4	1	Dust Cap		109321008
3	1	Kit Mounting Br.	Steel	109324938
2	1	Lever assembly		109324952
1	1	Lock in house Kit		109324992

Scale	1 : 2,5	Drawn	EP	Checked	JoEr	Appr.	PMB	ECO	12493	Date	2019-06-13
 Assembly Drawing 509325100										Issue	AA
										Sheet	1 / (1)