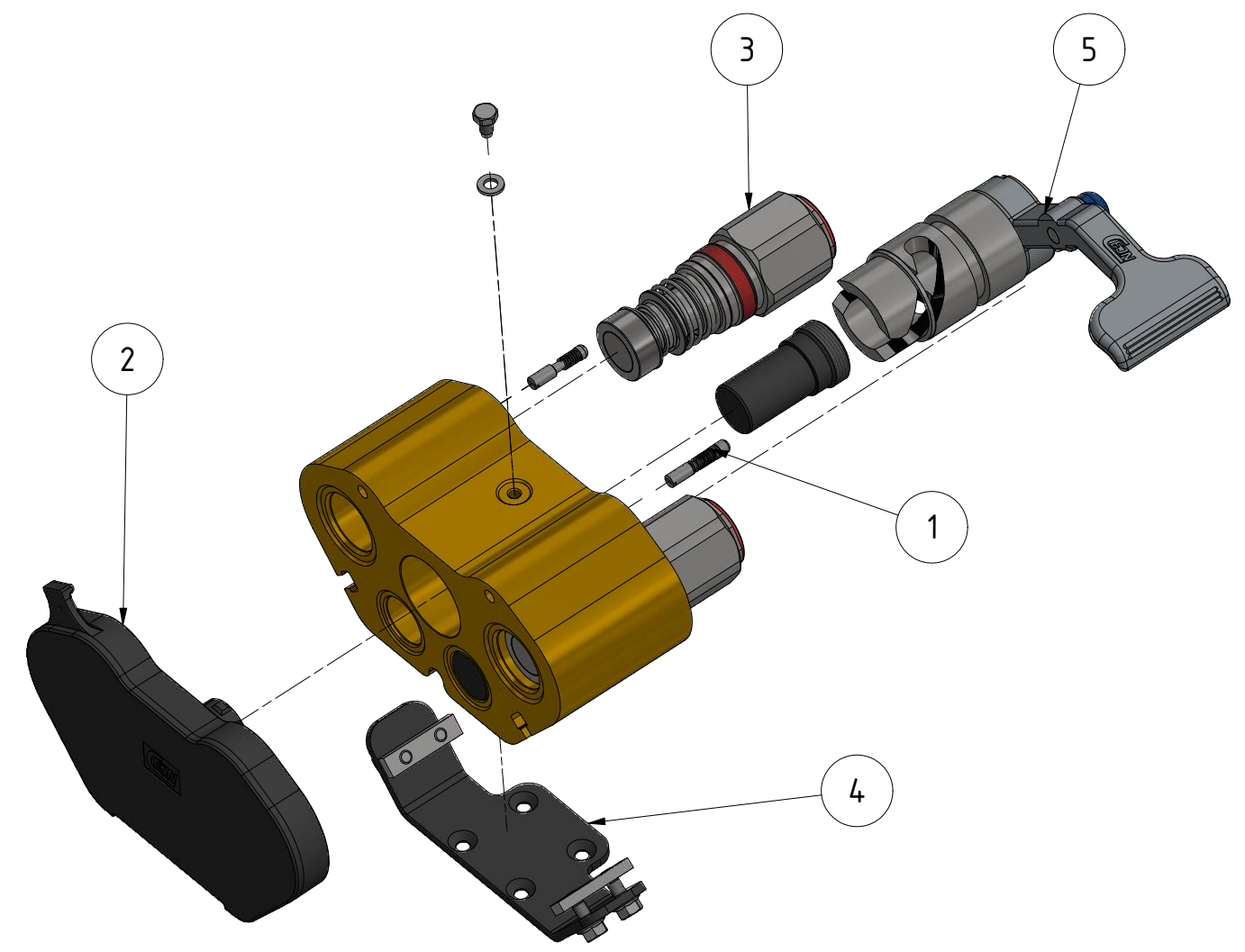
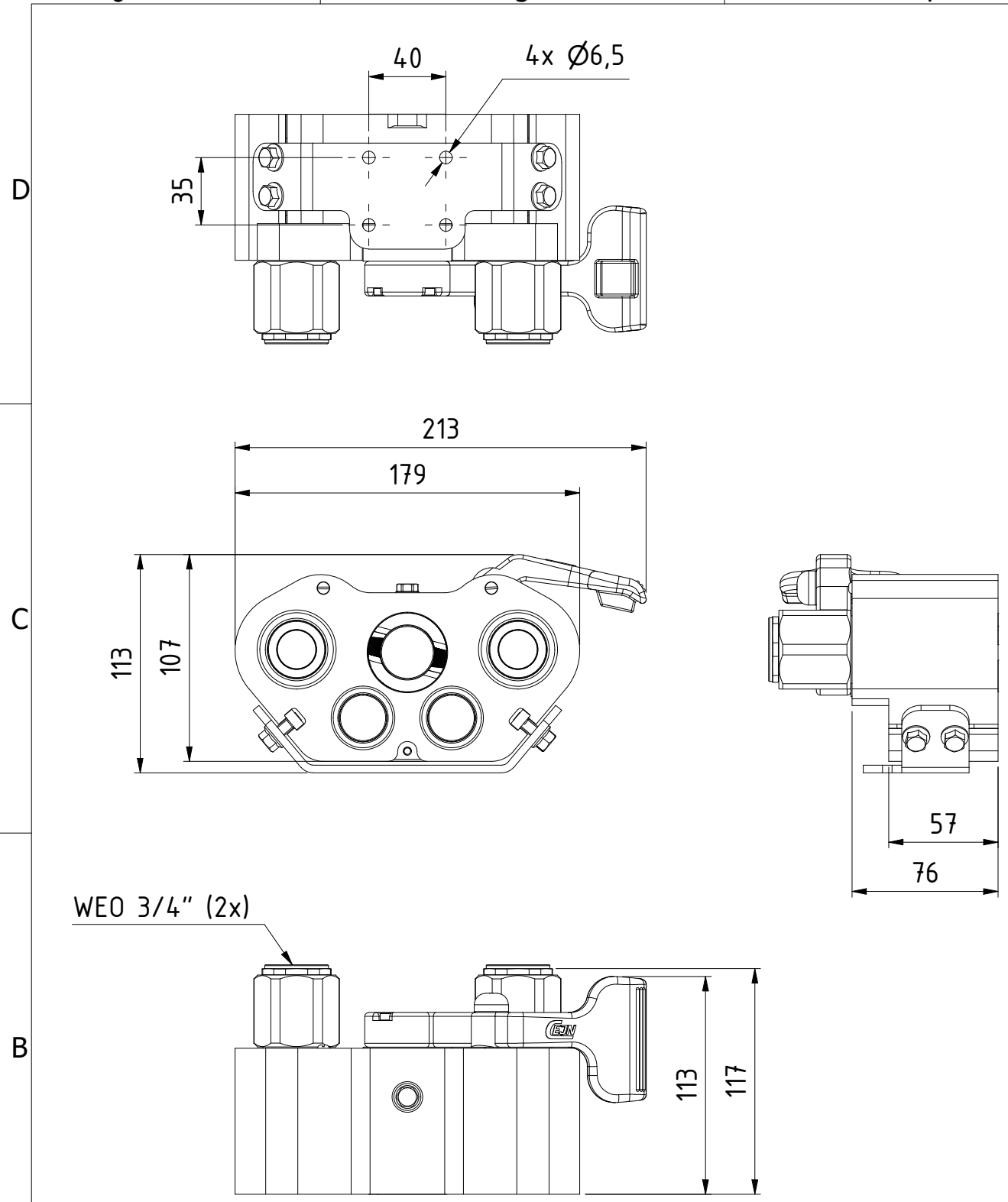



This document must not be copied, either completely or in part, without permission. Any infringement will have legal consequences ©



Product No.	109325102
Nominal flow Ø DN:	19 mm
Connection Stroke:	- mm
Max WP Connected:	350 bar
Max WP Disconnected:	- bar
Min BP Connected:	1200 bar
Min BP Disconnected:	- bar
Temperature range:	-30°C - +100°C
Connection:	WEO 3/4"
Sealing material:	NBR/PUR
Hexagon:	

Item	Qty	Description	Material	Part Number
5	1	Lever assembly		109324952
4	1	Kit Mounting Br.	Steel	109324938
3	2	Coupling DN19 - WEO 3/4" (DN20)		107651908
2	1	Dust Cap		109321008
1	1	Lock in house Kit		109324992

Scale	1 : 3	Drawn	EP	Checked	JoEr	Appr.	PMB	ECO	12493	Date	2019-06-13		
 Assembly Drawing 509325102										Issue	AA	Sheet	1 / (1)

A3