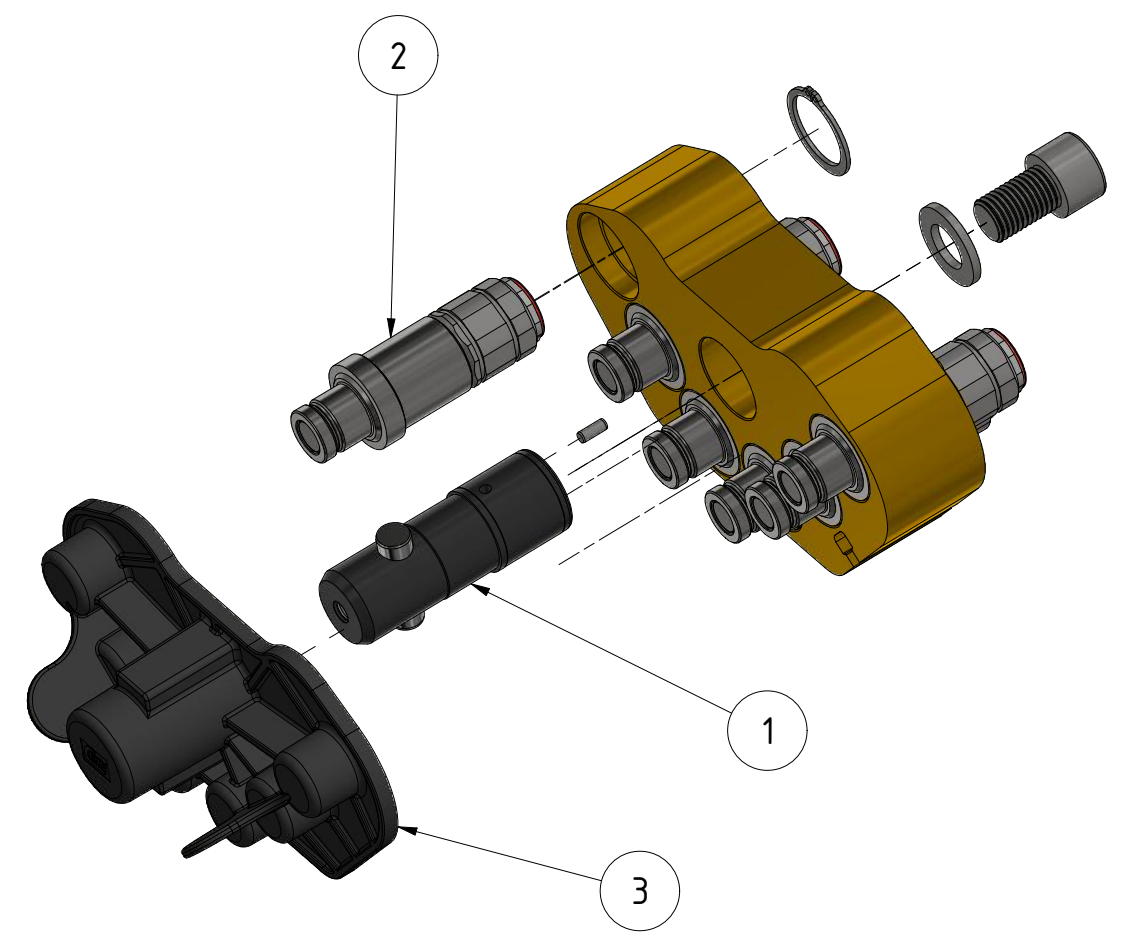
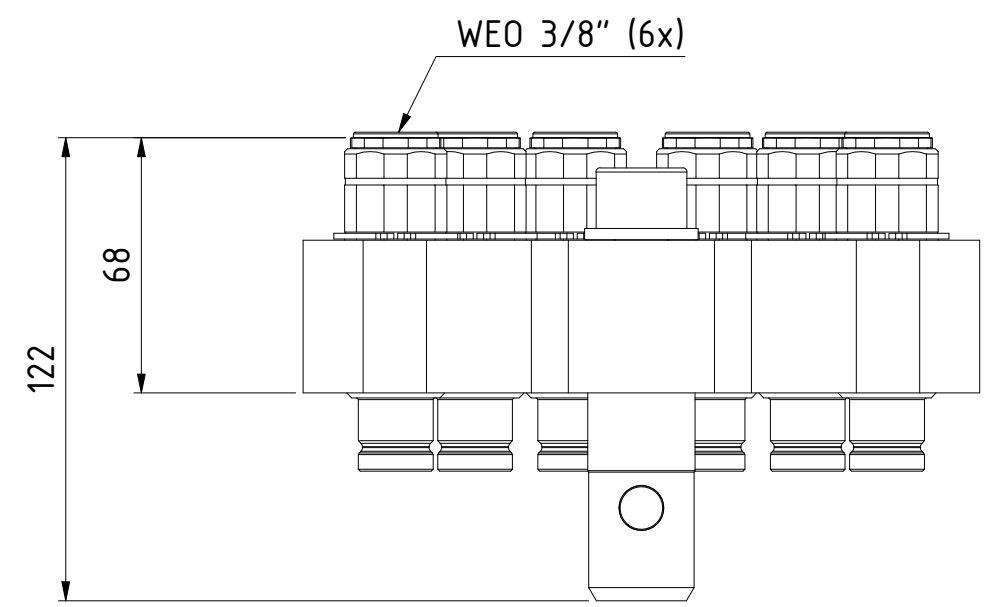
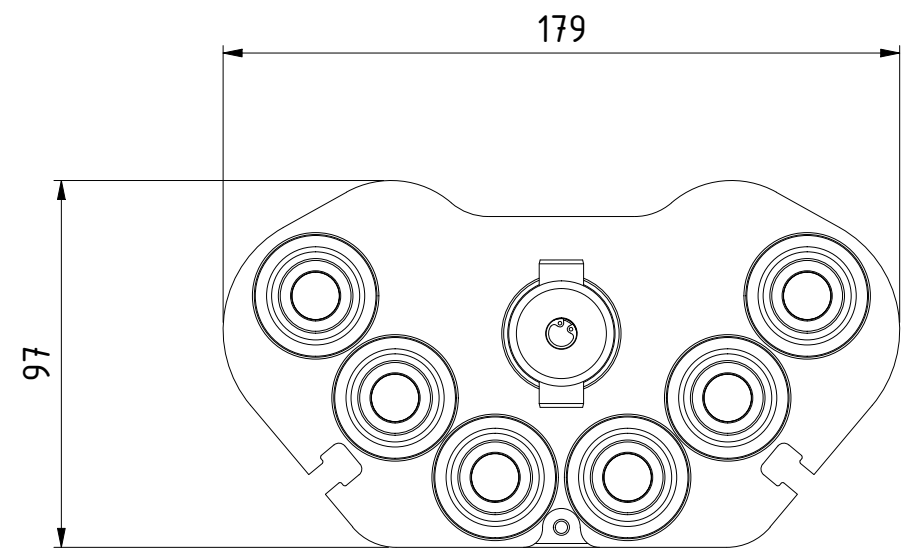


This document must not be copied, either completely or in part, without permission. Any infringement will have legal consequences ©



Product No.	109325156
Nominal flow \varnothing DN:	10 mm
Connection Stroke:	
Max WP Connected:	350 bar
Max WP Disconnected:	350 bar
Min BP Connected:	1200 bar
Min BP Disconnected:	1200 bar
Temperature range:	-30°C - +100°C
Connection:	WEO 3/8"
Sealing material:	NBR
Hexagon:	

Item	Qty	Description	Material	Part Number
3	1	Dust Cap		109321056
2	6	Nipple Kit DN10		103646909
1	1	Center bolt kit		109324955

	Scale	1 : 2	Drawn	EP	Checked	JoEr	Appr.	PMB	ECO	12493	Date	2019-06-24	
	Drawing No. 509325156										Issue	AA	Sheet

A3