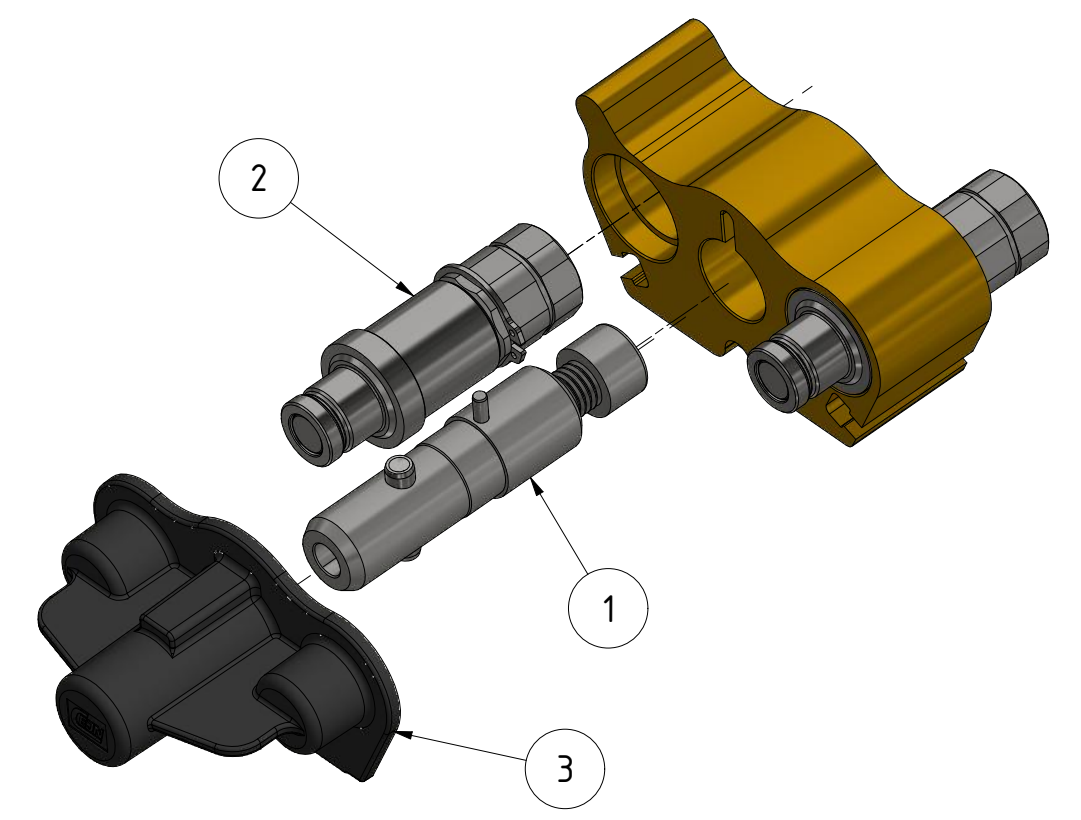
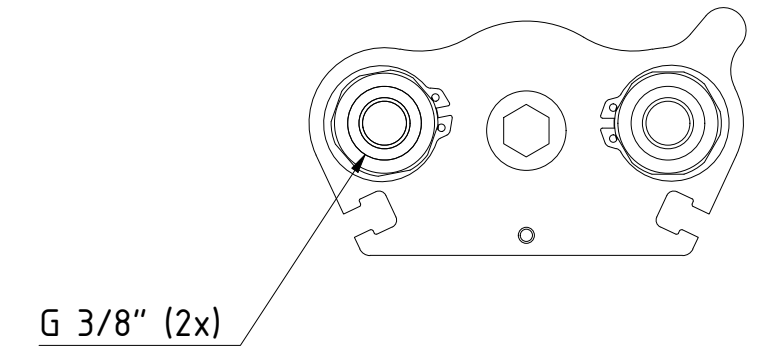
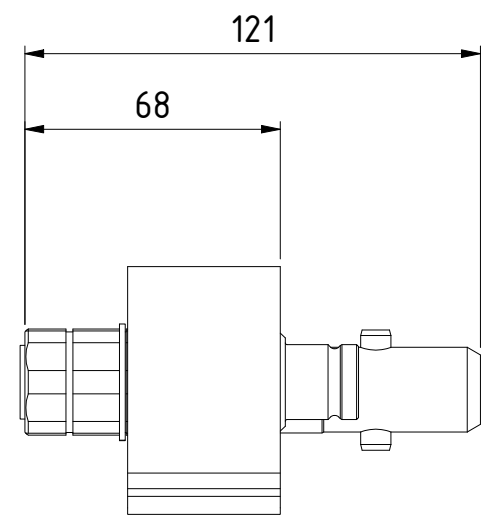
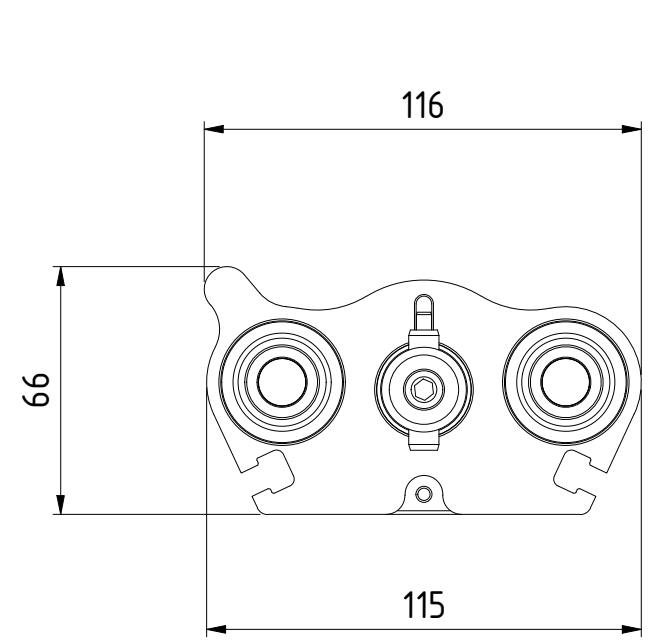


This document must not be copied, either completely or in part, without permission. Any infringement will have legal consequences ©



Product No.	109322250
Nominal flow \varnothing DN:	10 mm
Connection Stroke:	
Max WP Connected:	350 bar
Max WP Disconnected:	350 bar
Min BP Connected:	1200 bar
Min BP Disconnected:	1200 bar
Temperature range:	-30°C - 100°C
Connection:	G 3/8", female
Sealing material:	NBR
Hexagon:	

Item	Qty	Description	Material	Part Number
3	1	Dust Cap		109321050
2	2	Nipple kit DN10		103646908
1	1	Center Bolt Kit		109324962

Scale	1 : 2	Drawn	EP	Checked	JoEr	Appr.	PMB	ECO	12400	Date	19-02-28
Assembly Drawing 509322250										Issue	AC
										Sheet	1 / (1)

A3