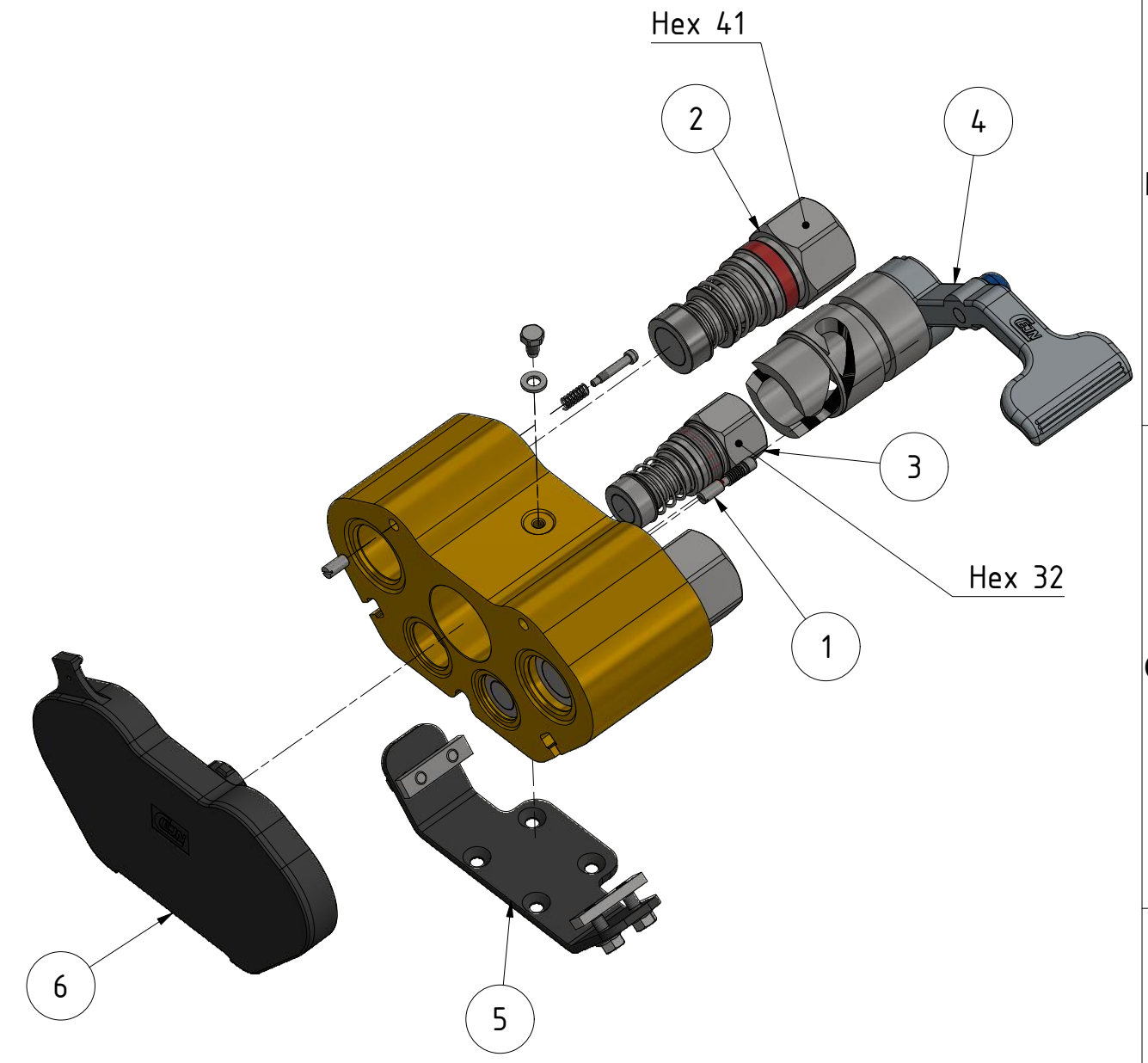
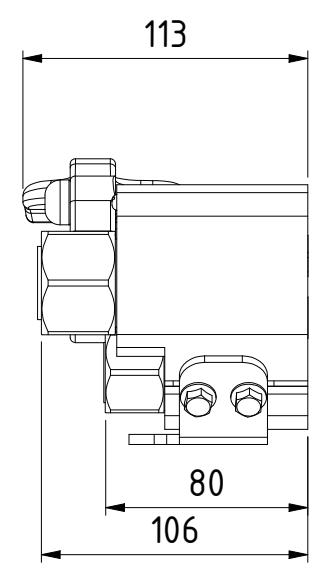
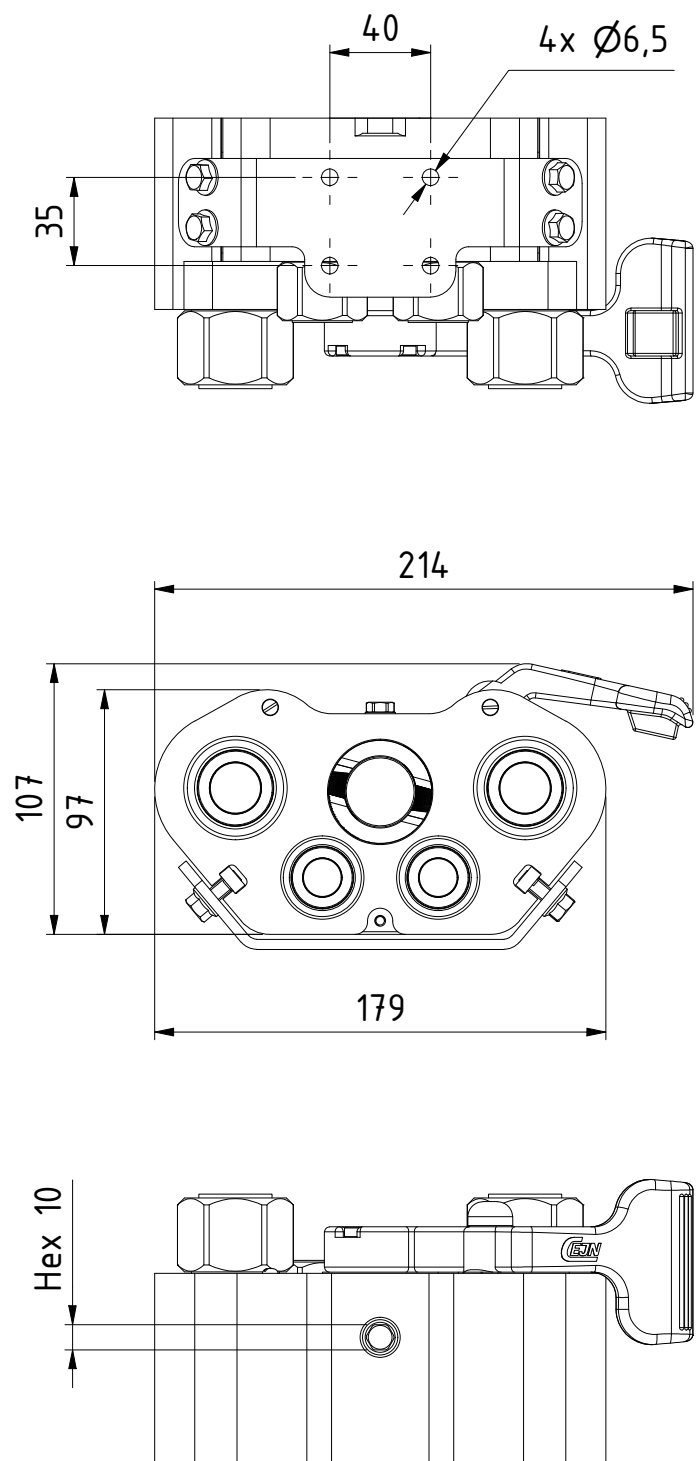


This document must not be copied, either completely or in part, without permission. Any infringement will have legal consequences ©



Product No.	109325200
Nominal flow $\varnothing$ DN:	12.5 / 19 mm
Connection Stroke:	
Max WP Connected:	350 bar
Max WP Disconnected:	350 bar
Min BP Connected:	1200 bar
Min BP Disconnected:	1200 bar
Temperature range:	-30°C - 100°C
Connection:	BSP 3/4" and 1/2" Fem.
Sealing material:	NBR / PUR
Hexagon:	

Item	Qty	Description	Material	Part Number
6	1	Dust Cap		109321008
5	1	Kit Mounting Br.	Steel	109324938
4	1	Lever assembly		109324952
3	2	Coupling DN12.5 insert		105651908
2	2	Coupling G 3/4" (Multi-X insert DN19)		107651907
1	1	Lock in house Kit		109324992

Scale	1 : 2,5	Drawn	EP	Checked	JoEr	Appr.	PMB	ECO	12400	Date	2019-02-28
<b>Assembly Drawing 509325200</b>										Issue	AC
										Sheet	1 / (1)

A3