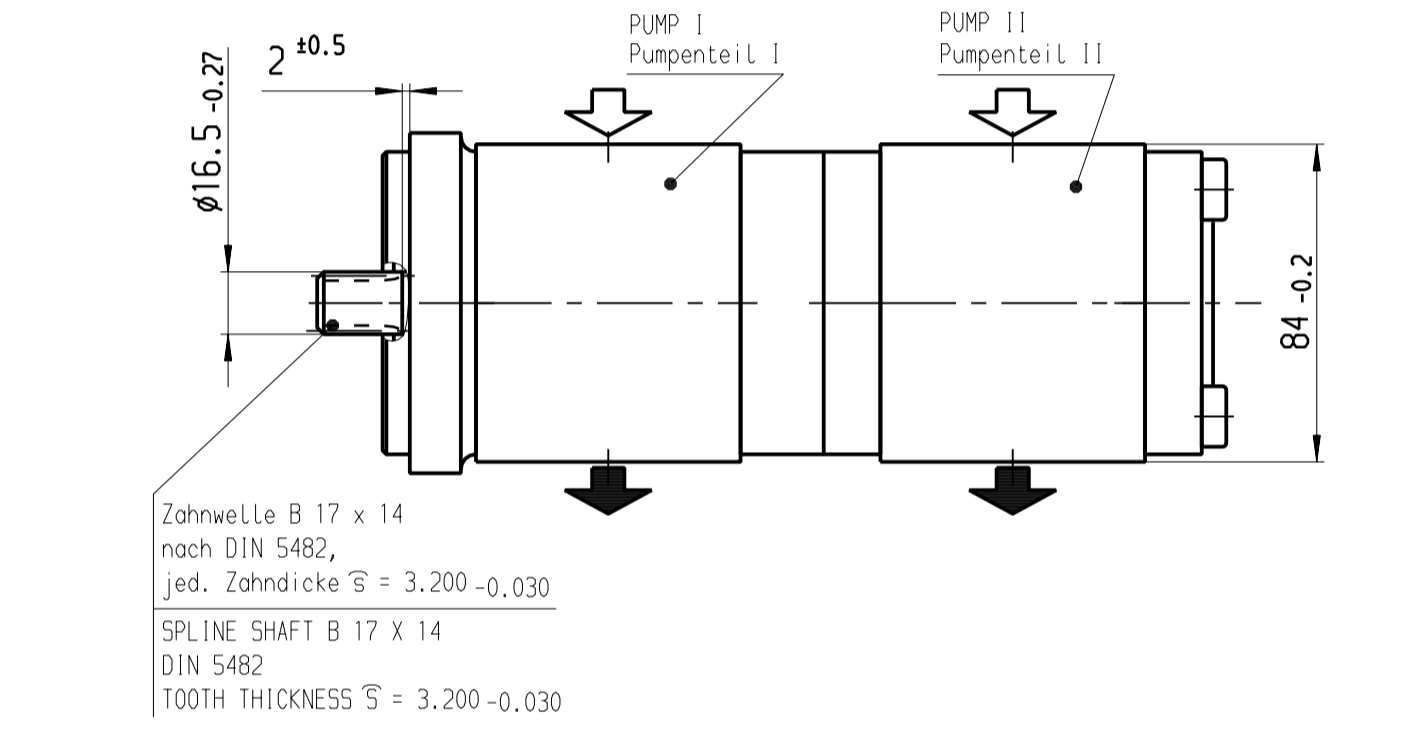
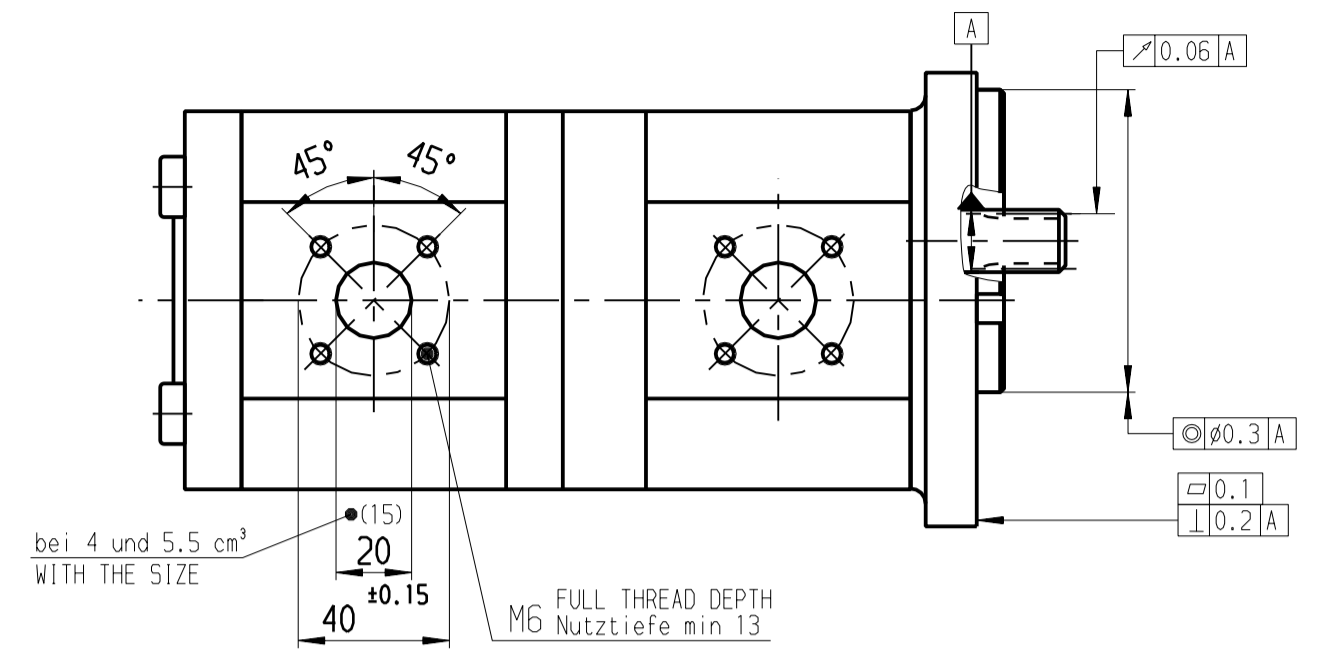
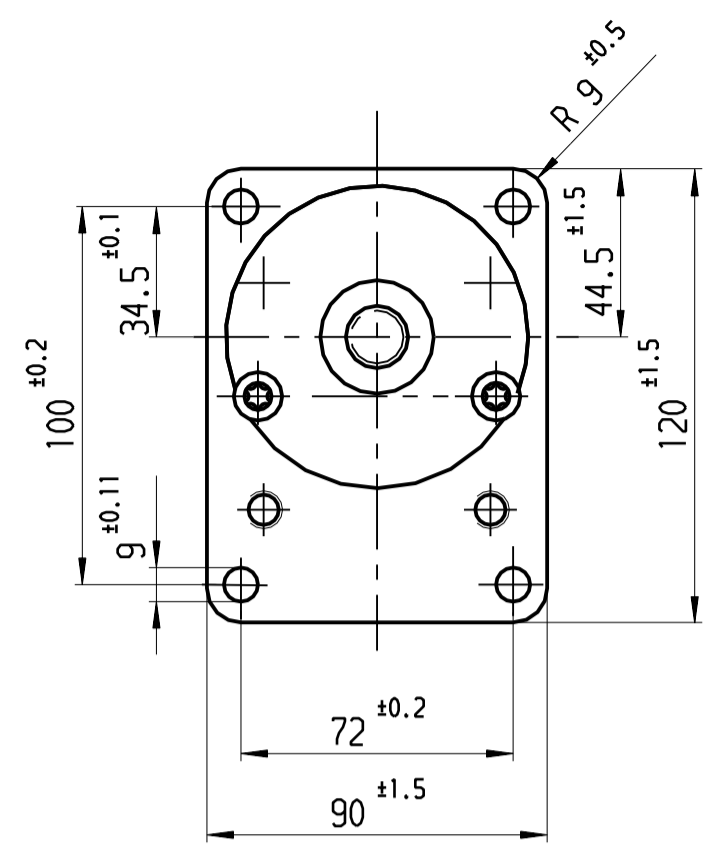
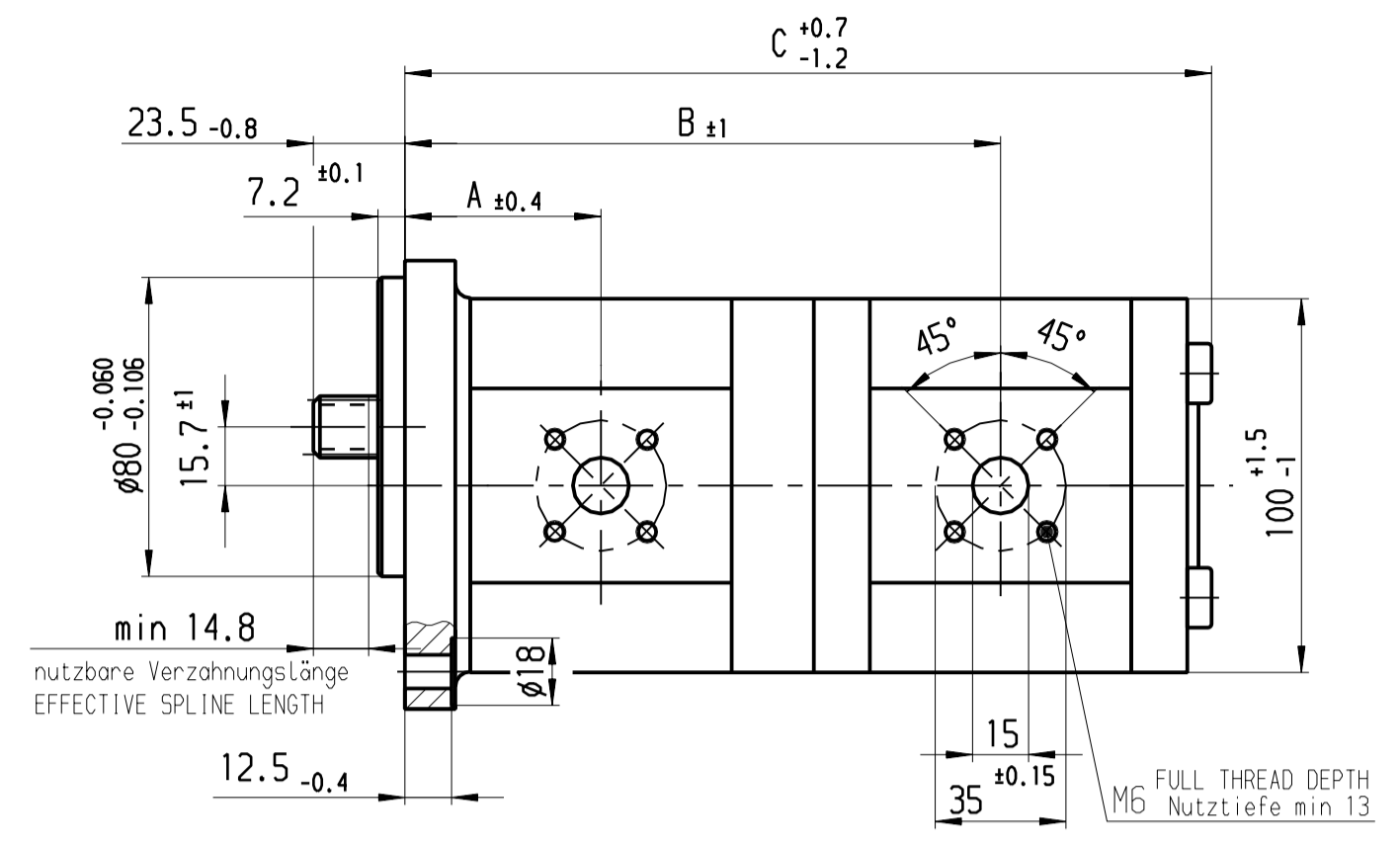


© Alle Rechte bei Bosch Rexroth AG, auch für den Fall von Schutzrechtsverletzungen. Jede Vervielfältigung, Verbreitung, auch auszugsweise, ist ohne schriftliche Genehmigung der Bosch Rexroth AG.   
 © This drawing is the exclusive property of Bosch Rexroth AG. All rights reserved. No part of this drawing may be reproduced or transmitted in any form or by any means electronic or mechanical, including photocopying, recording, or by any information storage and retrieval system, without permission in writing from Bosch Rexroth AG.   
 Weiter- Fremdspr.- Angebotszeichnungen FURTHER FOREIGN LANGUAGE OFFER DINGS



**HINWEISE UND ANGABEN**

Betriebsbedingungen siehe Y 510 201 598

Die Darstellung zeigt eine rechtsdrehende Pumpe (Auf Antriebswelle gesehen).  
Bei Linksdrehender Pumpe ist Druck- und Sauganschluß vertauscht  
Die Pumpe darf nur in angegebener Drehrichtung drehen.

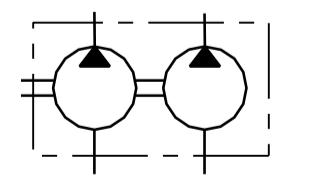
Alle Ölschlüsse für Transport und Lagerung staubdicht verschlossen, z.B. mit Kunststoffstopfen

**ADDITIONAL INFORMATION**

WORKING CONDITIONS SEE Y 510 201 598

CW ROTATION SHOWN.  
CCW ROTATION PUMPS HAVE PRESSURE AND SUCTION PORT ON OPPOSITE SIDE. PUMP MUST BE DRIVEN IN PROPER DIRECTION ONLY.

ALL OIL PORTS CLOSED PROPERLY AGAINST DUST FOR TRANSPORT AND STORAGE, E.G. WITH PLASTIC CLOSURE CAPS.



|               |               |                           |           |      |      |      |     |     |      |       |       |   |
|---------------|---------------|---------------------------|-----------|------|------|------|-----|-----|------|-------|-------|---|
| B 510 245 589 | 0 510 765 338 | AZPFF-10-022/022LFB2020MB | Links/CCW | 22.5 | 22.5 | 2500 | 210 | 160 | 61.1 | 185.2 | 249.7 | . |
| B 510 245 549 | .             | .                         | rechts/CW | 22.5 | 22.5 | 2500 | 210 | 160 | 61.1 | 185.2 | 249.7 | . |
| B 510 245 587 | .             | .                         | Links/CCW | 22.5 | 19   | 2500 | 210 | 190 | 61.1 | 171.6 | 232.3 | . |
| .             | .             | .                         | rechts/CW | 22.5 | 19   | 2500 | 210 | 190 | 61.1 | 171.6 | 232.3 | . |
| B 510 245 597 | 0 510 765 341 | AZPFF-10-022/016LFB2020MB | Links/CCW | 22.5 | 16   | 2500 | 210 | 230 | 61.1 | 171.6 | 227.3 | . |
| B 510 245 019 | .             | .                         | rechts/CW | 22.5 | 16   | 2500 | 210 | 230 | 61.1 | 171.6 | 227.3 | . |
| B 510 245 058 | .             | .                         | Links/CCW | 22.5 | 14   | 2500 | 210 | 250 | 55.1 | 159.6 | 211.6 | . |
| .             | .             | .                         | rechts/CW | 22.5 | 14   | 2500 | 210 | 250 | 55.1 | 159.6 | 211.6 | . |
| B 510 245 548 | .             | .                         | Links/CCW | 22.5 | 11   | 2500 | 210 | 280 | 61.1 | 171.1 | 218.9 | . |
| B 510 245 547 | .             | .                         | rechts/CW | 22.5 | 11   | 2500 | 210 | 280 | 61.1 | 171.1 | 218.9 | . |
| B 510 245 546 | 0 510 765 331 | AZPFF-10-022/008LFB2020MB | Links/CCW | 22.5 | 8    | 2500 | 210 | 280 | 61.1 | 167.3 | 213.9 | . |
| .             | .             | .                         | rechts/CW | 22.5 | 8    | 2500 | 210 | 280 | 61.1 | 167.3 | 213.9 | . |
| B 510 245 544 | 0 510 765 317 | AZPFF-10-022/005LFB2020MB | Links/CCW | 22.5 | 5.5  | 2500 | 210 | 280 | 61.1 | 165.2 | 209.8 | . |
| B 510 245 543 | 0 510 765 022 | AZPFF-10-022/005RFB2020MB | rechts/CW | 22.5 | 5.5  | 2500 | 210 | 280 | 61.1 | 165.2 | 209.8 | . |
| B 510 245 550 | .             | .                         | Links/CCW | 22.5 | 4    | 2500 | 210 | 280 | 61.1 | 164   | 207.3 | . |
| .             | .             | .                         | rechts/CW | 22.5 | 4    | 2500 | 210 | 280 | 61.1 | 164   | 207.3 | . |
| B 510 245 535 | 0 510 665 420 | AZPFF-10-019/019LFB2020MB | Links/CCW | 19   | 19   | 3000 | 230 | 190 | 47.5 | 154.2 | 214.9 | . |
| B 510 245 040 | 0 510 665 097 | AZPFF-10-019/019RFB2020MB | rechts/CW | 19   | 19   | 3000 | 230 | 190 | 47.5 | 154.2 | 214.9 | . |
| B 510 245 592 | 0 510 665 375 | AZPFF-11-019/011LFB2020MB | Links/CCW | 19   | 11   | 3000 | 230 | 280 | 47.5 | 153.7 | 201.5 | . |
| B 510 245 539 | .             | .                         | rechts/CW | 19   | 11   | 3000 | 230 | 280 | 47.5 | 153.7 | 201.5 | . |
| B 510 245 534 | .             | .                         | Links/CCW | 19   | 5.5  | 3000 | 230 | 280 | 47.5 | 147.8 | 192.4 | . |
| .             | .             | .                         | rechts/CW | 19   | 5.5  | 3000 | 230 | 280 | 47.5 | 147.8 | 192.4 | . |
| B 510 245 532 | .             | .                         | Links/CCW | 19   | 4    | 3000 | 230 | 280 | 47.5 | 146.6 | 189.9 | . |
| B 510 245 531 | 0 510 665 115 | AZPFF-10-019/004RFB2020MB | rechts/CW | 19   | 4    | 3000 | 230 | 280 | 47.5 | 146.6 | 189.9 | . |
| B 510 245 593 | .             | .                         | Links/CCW | 16   | 14   | 3000 | 280 | 280 | 47.5 | 149.2 | 201.5 | . |
| .             | .             | .                         | rechts/CW | 16   | 14   | 3000 | 280 | 280 | 47.5 | 149.2 | 201.5 | . |

| Entwurfs-Zeichnungs-Nr. | Bestell-Nr. | Typ-Aufschrift | Dreh-richtung    | PI<br>Volumen<br>[cm <sup>3</sup> /U] | PII<br>Drehzahl<br>[U/min] | max.<br>Drehzahl<br>[U/min] | PI<br>max. Druck<br>(intermitt.)<br>[bar] | PII<br>max. Druck<br>(intermitt.)<br>[bar] | A<br>Maß<br>[mm] | B<br>Maß<br>[mm] | C<br>Maß<br>[mm] | Bemerkungen |
|-------------------------|-------------|----------------|------------------|---------------------------------------|----------------------------|-----------------------------|---|--|------------------|------------------|------------------|-------------|
| DRAWING                 | PART NUMBER | DESIGNATION    | DIR. OF ROTATION | DISPLACEMENT                          | SPEED                      | MAX. SPEED                  | MAX. PRESSURE                             | MAX. PRESSURE                              | DIMENSIONS       |                  |                  | REMARKS     |

|                                  |  |   |  |               |  |  |  |                   |  |  |  |
|----------------------------------|--|---|--|---------------|--|--|--|-------------------|--|--|--|
| Dokumentenart/ DOCUMENT TYPE AGZ |  | Nicht toL. Maße<br>NON-TOLERANCED DIM.<br>± 0.3 mm, ± 1 ° |  | ISO E         |  | Maßstab<br>SCALE 1:2                           |  | Gewicht<br>WEIGHT |  |  |  |
| Angebots-zeichnung               |  |   |  | OFFER DRAWING |  |  |  |                   |  |  |  |
| Benennung/<br>TITEL              |  |   |  |               |  | Hydrozahnradpumpe AZPFF<br>HYDRAULIC GEAR PUMP |  |                   |  |  |  |
| Original: DC-MA/EPE              |  |   |  |               |  | Nr./ NO.<br>A 510 245 531                      |  |                   |  |  |  |
| Ers.f./ REPLACES                 |  |   |  |               |  | Ers.d./ REPLACED BY                            |  |                   |  |  |  |

37 51 MAEPE 0168 Bs 25.07.2011 Ko  
 36 51 DRENE 2453 LL 21.10.2009 LL  
 35 51 DRENE 2437 Ji 30.09.2009 He  
 34 51 AZENG 0384 Wr 25.03.2004  
 DIN A2  
**Rexroth Bosch Group**  
 MED

OBSERVE INSTRUCTIONS FOR FILLING OUT N12A D11/1