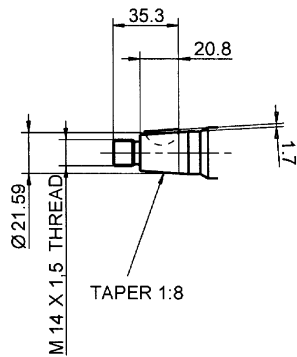


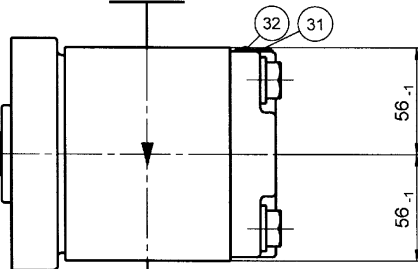
PUMP DATA	
DISPLACEMENT	33.0 ccm
MAX. CONT. PRESSURE	250 bar
SPEED RATE	500 TO 2600 min ⁻¹
MAX. INPUT SHAFT TORQUE	250 Nm
ROTATION	CLOCKWISE



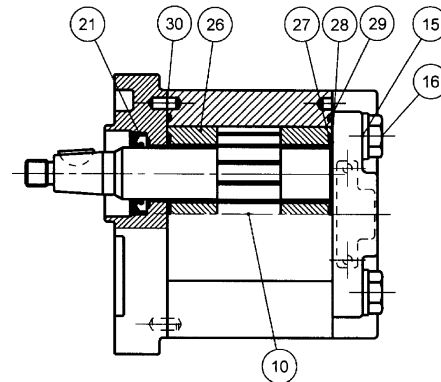
WOODRUFF KEY
DIN 6888 4.0 X 7.5 X Ø19

INSTALLATION TORQUE
50 + 10 NM

27MM ITALY-FL.
4 X M10X1.5 THD.
18.0 DEEP
51MM PCD

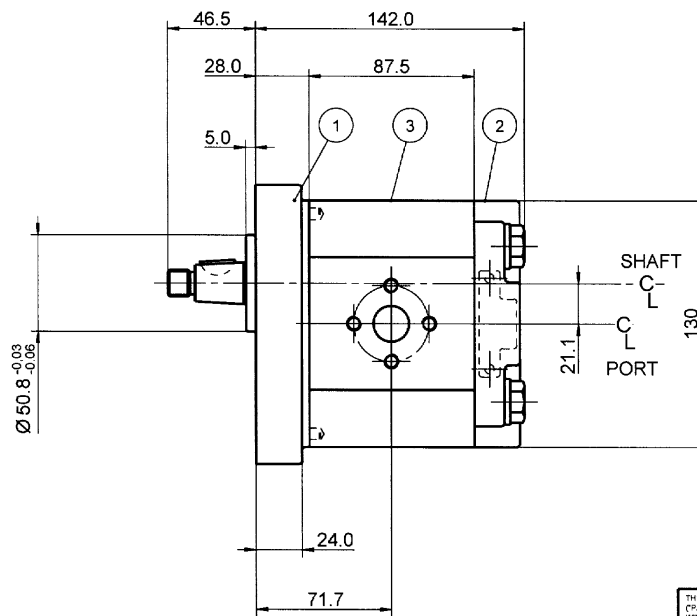
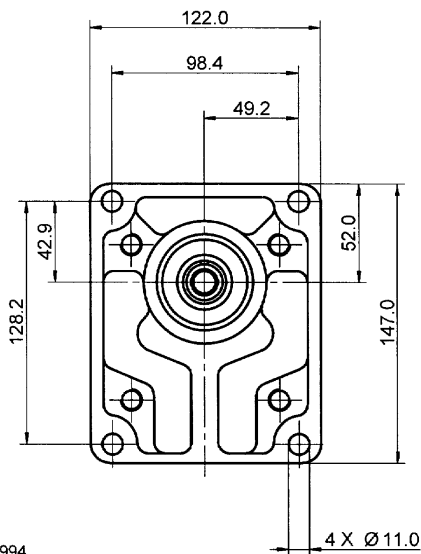


19MM ITALY-FL.
4 X M8X1.25 THD.
15.0 DEEP
40MM PCD



NOTE

FOR ASSEMBLY INSTRUCTIONS SEE DWG. NO. "517-B1"
"PGP517 PUMP ASSEMBLY INSTRUCTIONS".

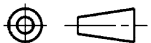


28	391 2882 162	2	SEAL. BK-UP	36		
27	391 2882 161	2	SEAL. CHAN.	35		
26	391 2185 093	2	THRBLK/BSHG	34		
25				33		
24				32	391 1432 004	2
23				31	391 2183 227	1
22				30	391 2080 080	2
21	391 2883 058	1	SEAL. LIP	29	391 2882 148	2
ITEM	PART NO	REQD	ITEM	PART NO	REQD	

ITEM	PART NO	REQ'D	DESCRIPTION
20	SEE ABOVE		BOM. COMPONENT
19			
18			
17			
16	391 1401 556	4	CAPSCREW (130 MM)
15	391 3782 232	4	WASHER
14			
13	391 3782 260	1	WASHER
12	391 1451 161	1	NUT
11	391 1781 115	1	KEY
10	333 2933 673	1	SET, GEAR SHAFT
9			
8			
7			
6			
5			
4			
3	333 8133 911	1	HOUSING. GEAR
2	333 3000 100	1	HOUSING. PEC
1	333 5040 205	1	HOUSING. SEC
ITEM	PART NO	REQ'D	DESCRIPTION

01NOV01 WS 42994

THIRD ANGLE PROJECTION



EXP. NO.
73330:4012252

FIRST USED
96 - 04 - 962

333 9111 014

DWG. REDRAWN

SYM. REVISIONS

THIS DOCUMENT CONTAINS INFORMATION THAT IS CONFIDENTIAL AND PROPRIETARY TO PARKER-HANNIFIN CORPORATION. IF PARKER, THIS DOCUMENT IS FURNISHED ON THE UNDERSTANDING THAT THE DOCUMENT AND THE INFORMATION IT CONTAINS WILL NOT BE COPIED OR DISCLOSED TO OTHERS OR USED FOR ANY PURPOSE OTHER THAN CONDUCTING BUSINESS WITH PARKER AND WILL BE RETURNED AND ALL FURTHER USE DISCONTINUED UPON REQUEST BY PARKER. ALL RIGHTS RESERVED.

PGP517A0330CT1D7NL3L2B1B1

MATERIAL

ADM
CTR P

REV
DTE 18JUN03

H.E.-STD:

WT 8.7 Kg

DIMENSIONS ARE MM

Parker Hydraulic Controls Division
Sachsenhydraulik GmbH
Chemnitz

DR BY DATE CH BY DATE SCALE
UH 24APR96 WS 24APR96 1/2

333 9111 014

© 2003 Parker-Hannifin Corporation