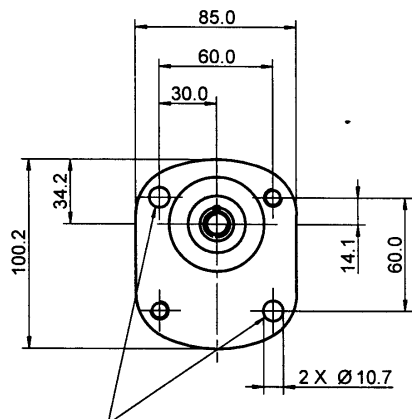
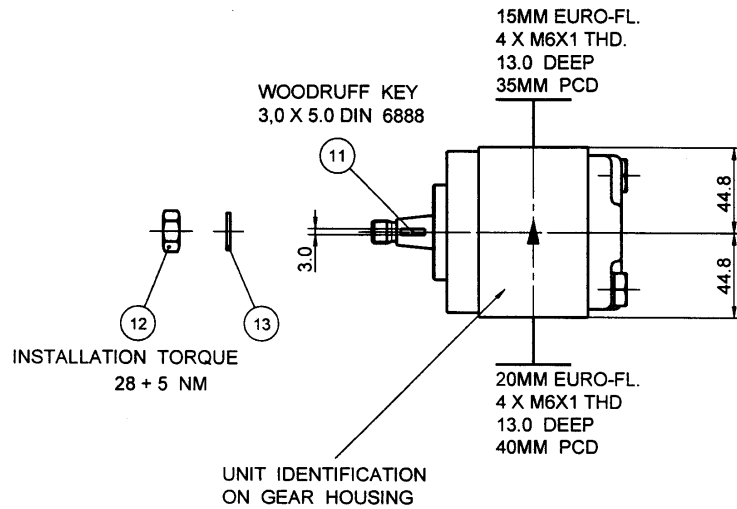
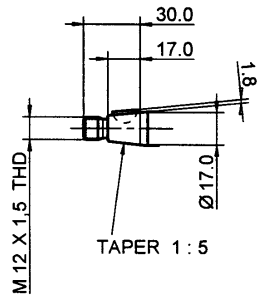
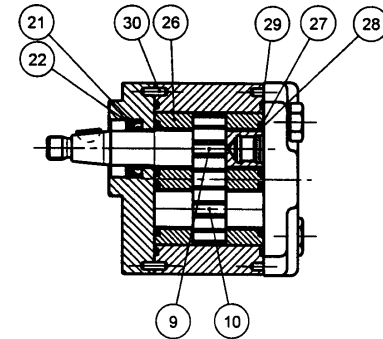
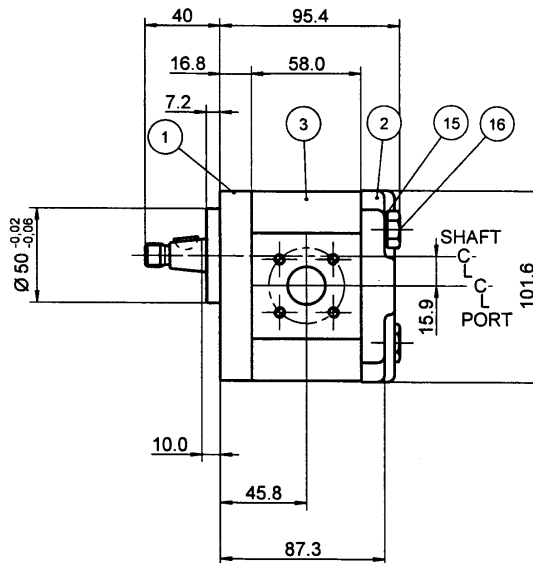


PUMP DATA	
DISPLACEMENT	11,0 ccm
MAX.CONT.PRESSURE	275 bar
SPEED RATE	500 TO 3500 min <sup>-1</sup>
MAX. INPUT SHAFT TORQUE	193 NM
ROTATION	ANTI CLOCKWISE



MOUNTING HOLES  
2 X M10 - 8.8  
TORQUE 42+5 Nm



NOTE

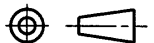
FOR ASSEMBLY INSTRUCTIONS SEE DWG. NO. "511-B1"  
"PGP511 PUMP ASSEMBLY INSTRUCTIONS".

ITEM	PART NO	REQ'D	ITEM	PART NO	REQ'D
28	8611-015-000	2	SEAL. BK-UP	36	
27	8611-016-00R	2	SEAL. CHAN.	35	
26	8898-207-00U	2	THRBLK/BSHG	34	
25				33	
24				32	
23				31	
22	9211-323-00B	1	RING. SNAP	30	391 2080 078 2
21	8301-019-00K	1	SEAL. LIP	29	9313-145-00B 2

BOM. COMPONENT

ITEM	PART NO	REQ'D	DESCRIPTION
20	SEE ABOVE	1	BOM. COMPONENT
19			
18			
17			
16	391 1401 856	2	SCREW (88 MM)
15	391 3782 231	2	WASHER
14			
13	391 3782 259	1	WASHER
12	391 1451 160	1	NUT
11	391 1781 099	1	KEY
10	334 2711 000	1	DRIVEN GEAR
9	334 1911 600	1	DRIVE GEAR
8			
7			
6			
5			
4			
3	334 8111 901	1	HOUSING. GEAR
2	332 3000 100	1	HOUSING. PEC
1	334 5051 202	1	HOUSING. SEC

THIRD ANGLE PROJECTION



EXP NO.

FIRST USED

01 - 12 - 903

334 9112 178

SYM. REVISIONS

THIS DOCUMENT CONTAINS INFORMATION THAT IS CONFIDENTIAL AND PROPRIETARY TO PARKER HANNIFIN CORPORATION (PARKER). THIS DOCUMENT IS FURNISHED TO THE UNDERSTANDING THAT THE DOCUMENT AND INFORMATION WILL BE NOT COPIED OR DISCLOSED TO OTHERS OR USED FOR ANY PURPOSE OTHER THAN CONDUCTING BUSINESS WITH PARKER, AND WILL BE RETURNED AND ALL FURTHER USE DISCONTINUED UPON REQUEST BY PARKER. ALL RIGHTS RESERVED.

PGP511M0110AS1Q4NJ7J5B1B1

MATERIAL  
H.E.-STD:

ADM CTR P  
REV DTE 000000  
WT

DIMENSIONS ARE MM

**Parker** Hydraulic Controls Division  
Sachsenhydraulik GmbH Chemnitz

DR BY DATE PG 06DEC01  
CH BY DATE WS 06DEC01  
SCALE 1/2

334 9112 178

© 2001 Parker-Hannifin Corporation