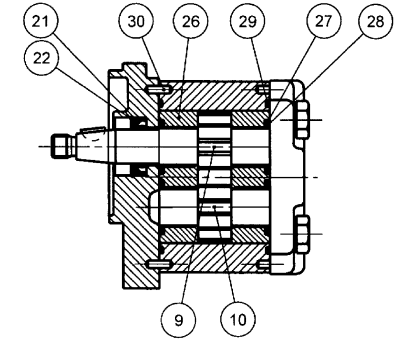
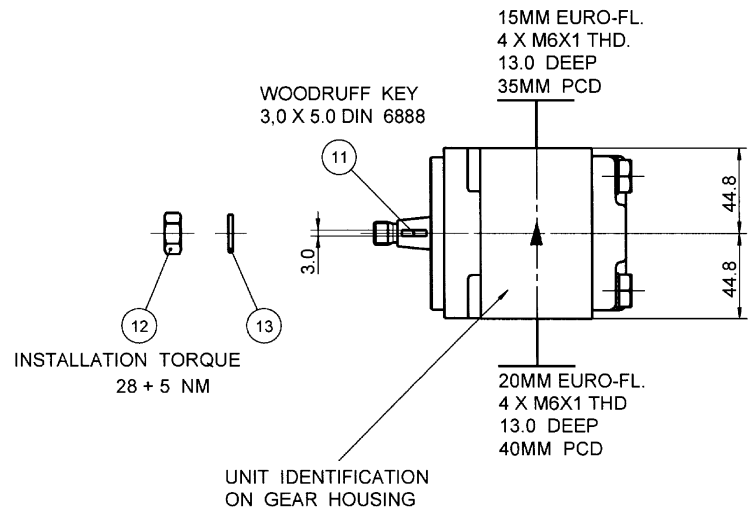
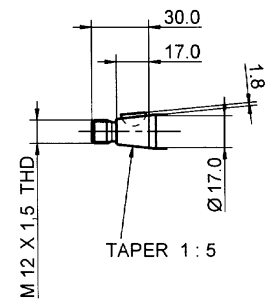
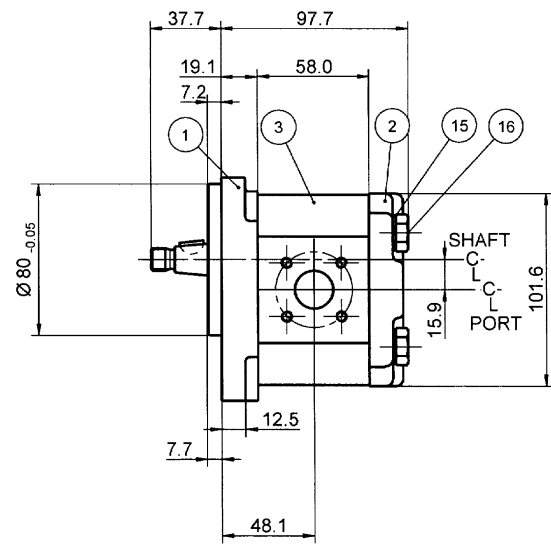
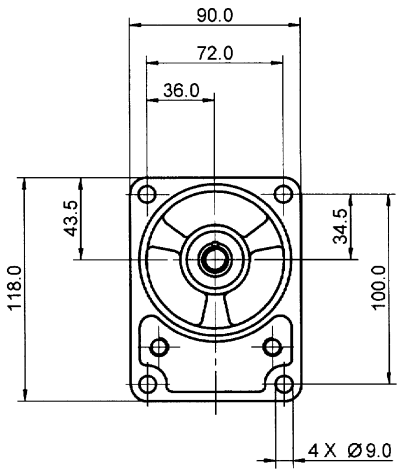


PUMP DATA	
DISPLACEMENT	11,0 ccm
MAX. CONT. PRESSURE	250 bar
SPEED RATE	500 TO 3500 min <sup>-1</sup>
MAX. INPUT SHAFT TORQUE	193 NM
ROTATION	ANTI CLOCKWISE



**NOTE**  
 ▽ FOR ASSEMBLY INSTRUCTIONS SEE DWG. NO. "511-B1"  
 "PGP511 PUMP ASSEMBLY INSTRUCTIONS".



ITEM	PART NO	REQD	ITEM	PART NO	REQD
28	8611-015-000	2	SEAL. BK-UP	36	
27	8611-016-00R	2	SEAL. CHAN.	35	
26	8898-207-00U	2	THRBLK/BSHG	34	
25				33	
24				32	
23				31	
22	9211-323-00B	1	RING, SNAP	30	391 2080 078 2 PIN. DOWEL
21	8301-019-00K	1	SEAL. LIP	29	9313-145-00B 2 SEAL. SECT.

BOM. COMPONENT					
ITEM	PART NO	REQ'D	DESCRIPTION		
20	SEE ABOVE	1	BOM. COMPONENT		
19					
18					
17					
16	391 1401 856	4	SCREW (88 MM)		
15	391 3782 231	4	WASHER		
14					
13	391 3782 259	1	WASHER		
12	391 1451 160	1	NUT		
11	391 1781 099	1	KEY		
10	334 2711 000	1	DRIVEN GEAR		
9	334 1811 600	1	DRIVE GEAR		
8					
7					
6					
5					
4					
3	334 8111 901	1	HOUSING. GEAR		
2	332 3000 100	1	HOUSING. PEC		
1	334 5041 203	1	HOUSING. SEC		

THIRD ANGLE PROJECTION
EXP. NO.
FIRST USED
02 - 03 - 905
334 9112 238

DWG. REDRAWN
REVISIONS

THIS DOCUMENT CONTAINS INFORMATION THAT IS CONFIDENTIAL AND PROPRIETARY TO PARKER HANNIFIN CORPORATION ("PARKER"). THIS DOCUMENT IS FURNISHED ON THE UNDERSTANDING THAT THE DOCUMENT AND INFORMATION WILL BE NOT COPIED OR DISCLOSED TO OTHERS OR USED FOR ANY PURPOSE OTHER THAN CONDUCTING BUSINESS WITH PARKER AND WILL BE RETURNED AND ALL FURTHER USE DISCONTINUED UPON REQUEST BY PARKER ALL RIGHTS RESERVED.

**PGP511A0110AS1D4NJ7J5B1B1**

MATERIAL	ADM CTR P	DR BY	DATE	CH BY	DATE	SCALE
H.E.-STD:	REV DTE 18JUN03	WS	12MAR02	KH	12MAR02	1/2
WT 3.7 Kg	DIMENSIONS ARE <u>MM</u>		<b>334 9112 238</b>			
© 2003 Parker-Hannifin Corporation						

**Parker** Hydraulic Controls Division  
 Sachsenhydraulik GmbH  
 Chemnitz