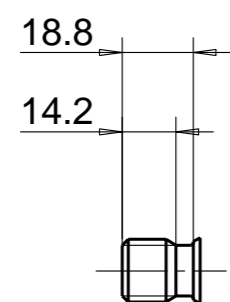
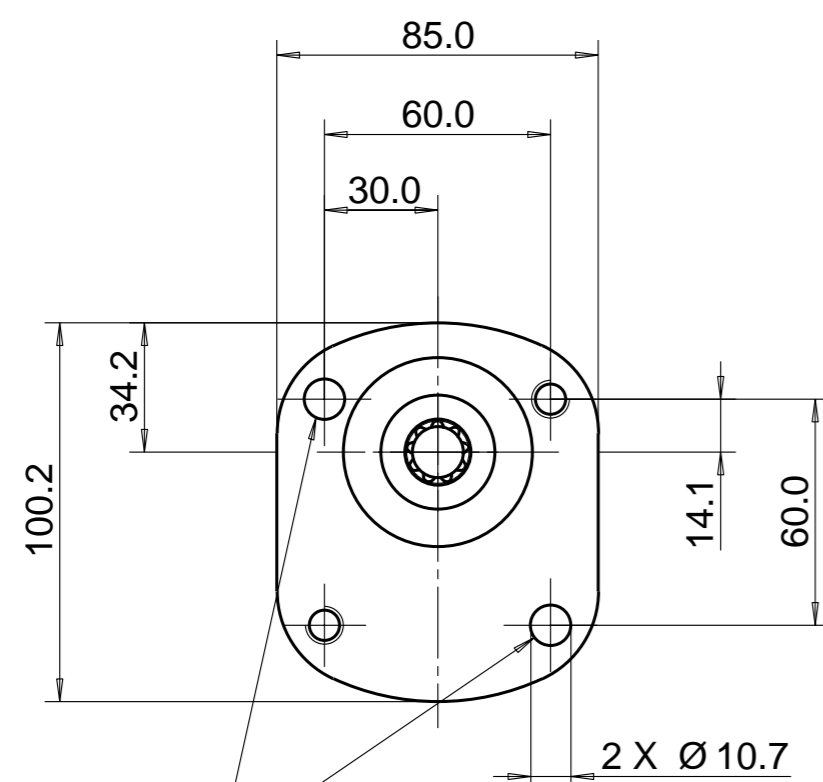


PUMP DATA	
DISPLACEMENT	8,0 ccm
MAX. PRESSURE	250 bar
SPEED RATE	500 TO 3500 min ⁻¹
MAX. INPUT SHAFT TORQUE	101 NM
ROTATION	ANTI CLOCKWISE

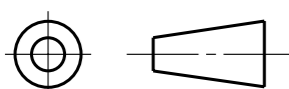


DIN 5482 INVOLUTE SPLINE
 B 17 X 14 ; 9 TEETH
 FLAT ROOT SIDE FIT
 MAJOR DIA. 16.39 - 16.50
 MINOR DIA. 13.50
 PROFIL OFFSET 0,600 mm



MOUNTING HOLES
 2 X M10 - 8.8
 TORQUE 46+6 Nm

THIRD ANGLE PROJECTION



EXP NO.

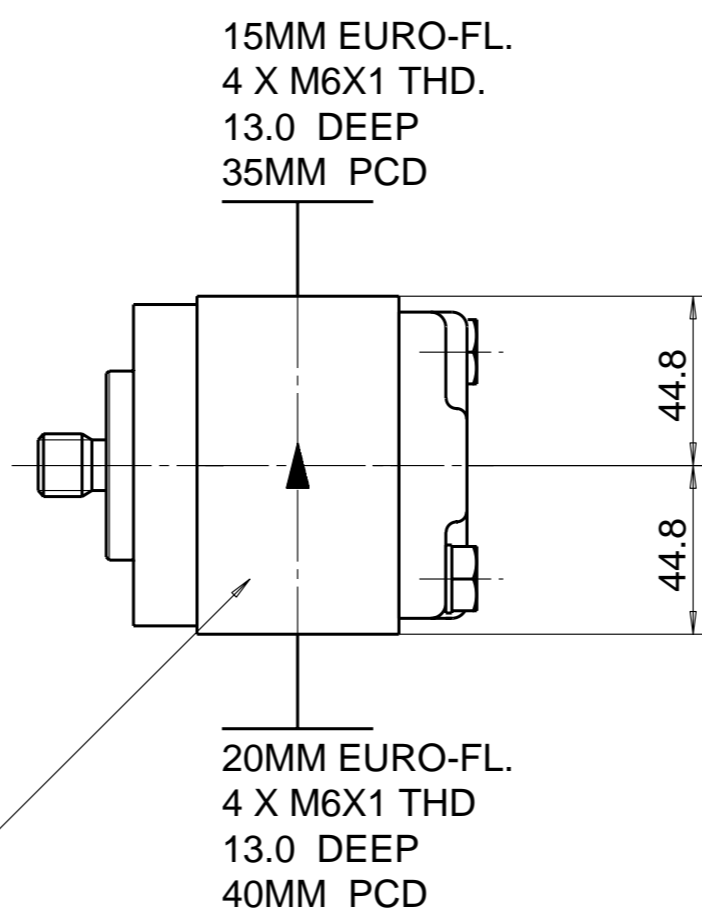
FIRST USED

03 - 02 - 913

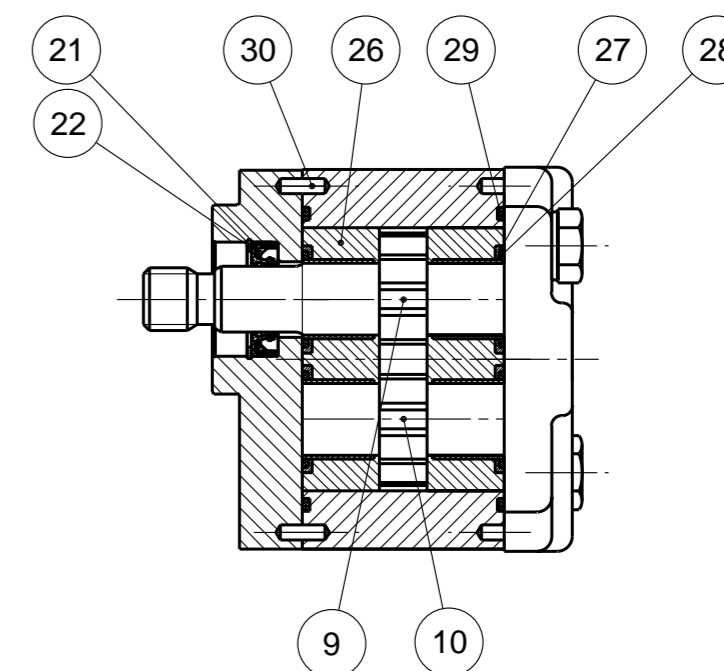
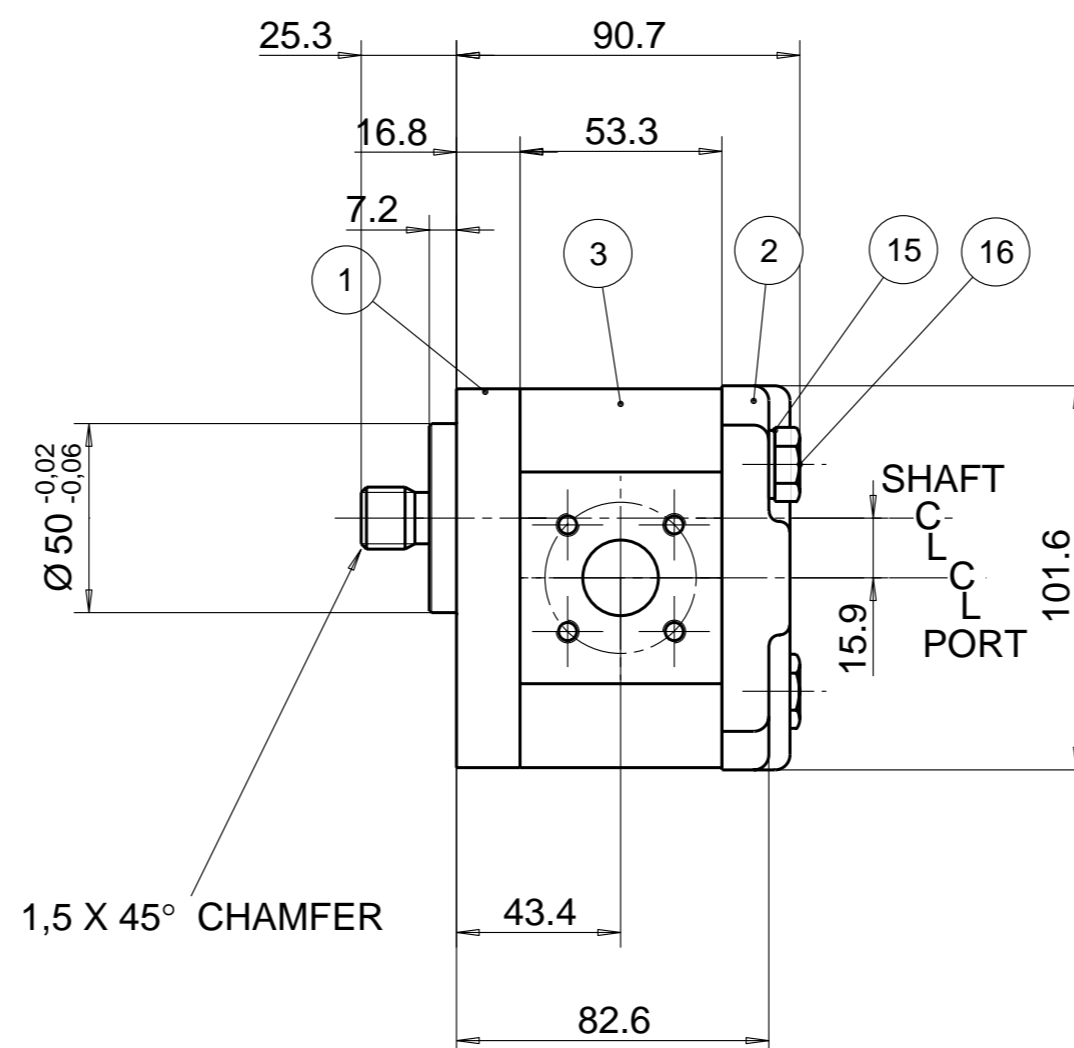
334 9112 491

A POS. #16 SCREW CHANGE FROM 83MM TO 80MM

SYM. REVISIONS 27MAY13 AS 13-05-935



UNIT IDENTIFICATION
 ON GEAR HOUSING



NOTE

1 FOR ASSEMBLY INSTRUCTIONS SEE DWG. NO. "511-B1"
 "PGP511 PUMP ASSEMBLY INSTRUCTIONS".

28	8611-015-000	2	SEAL. BK-UP	36			
27	8611-016-00R	2	SEAL. CHAN.	35			
26	8898-207-00U	2	THRBLK/BSHG	34			
25				33			
24				32			
23				31			
22	9211-323-00B	1	RING, SNAP	30	391 2080 078	2	PIN. DOWEL
21	8301-019-00K	1	SEAL. LIP	29	9313-145-00B	2	SEAL. SECT.
ITEM	PART NO	REQD		ITEM	PART NO	REQD	

20							
19							
18							
17							
16	391 1401 541	2	SCREW (80 MM)				
15	391 3782 231	2	WASHER				
14							
13							
12							
11							
10	334 2708 000	1	DRIVEN GEAR				
9	334 1208 700	1	DRIVE GEAR				
8							
7							
6							
5							
4							
3	334 8108 901	1	HOUSING. GEAR				
2	334 3000 100	1	HOUSING. PEC				
1	334 5051 202	1	HOUSING. SEC				
ITEM	PART NO	REQ'D		ITEM	PART NO	REQ'D	DESCRIPTION

A

THIS DOCUMENT CONTAINS INFORMATION THAT IS CONFIDENTIAL AND PROPRIETARY TO PARKER-HANNIFIN CORPORATION ("PARKER"). THIS DOCUMENT IS FURNISHED ON THE UNDERSTANDING THAT THE DOCUMENT AND THE INFORMATION IT CONTAINS WILL NOT BE COPIED OR DISCLOSED TO OTHERS OR USED FOR ANY PURPOSE OTHER THAN CONDUCTING BUSINESS WITH PARKER, AND WILL BE RETURNED AND ALL FURTHER USE DISCONTINUED UPON REQUEST BY PARKER. ALL RIGHTS RESERVED.

PGP511A0080AF1Q4NJ7J5B1B1

MATERIAL

ADM CTR P

REV DTE 27MAY13

H.E.-STD:

WT 3.6 Kg

DIMENSIONS ARE MM

Parker Pump & Motor Division
 Chemnitz

DR. BY DATE CH. BY DATE SCALE
 PG 05FEB03 UH 05FEB03 1/2

334 9112 491

© 2013 Parker Hannifin Corporation