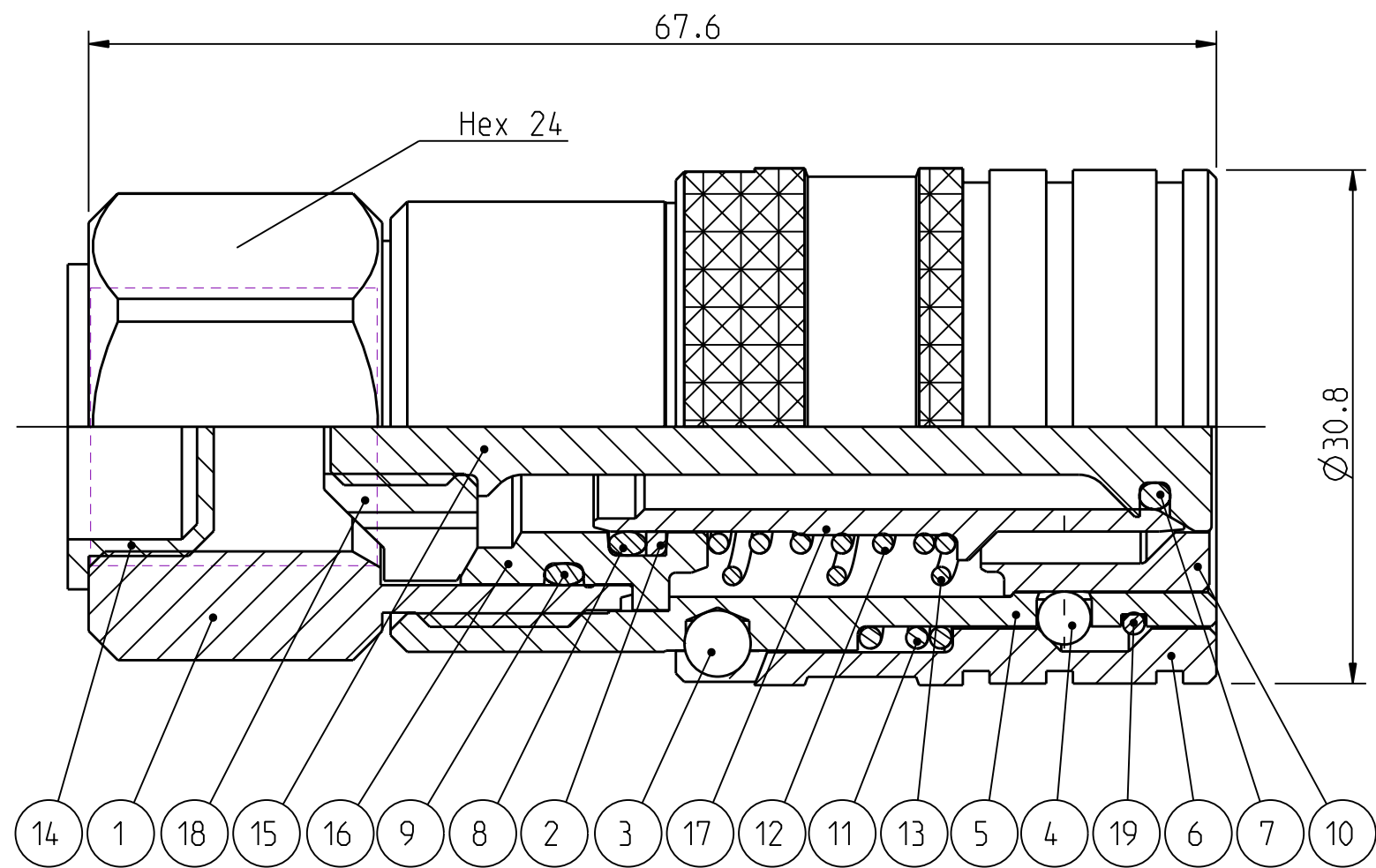
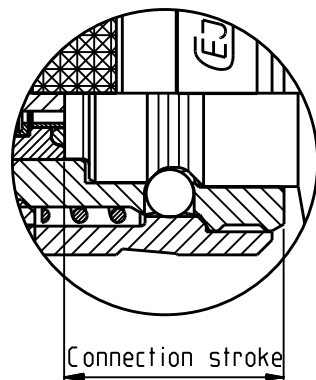


Diese Zeichnung darf weder ganz noch teilweise ohne unsere ausdrückliche Genehmigung kopiert oder auf andere Weise vervielfältigt werden. Alle Rechte vorbehalten.

Denna handling för ej utan vårt medgivande delges annan, kopieras eller eljest obehörigen användas. Överrättelse härunder beivras med stöd av gällande lag. This document must not be copied, either completely or in part, without permission. Any infringement will have legal consequences.



19	1	Wire coil	Steel
18	1	Valve stop	Steel, Fe/Zn 8 P1
17	1	Valve sleeve	Steel, FeNi5b
16	1	Valve seat	Steel, Fe/Zn 8 P1
15	1	Valve opener	Steel, Fe/Zn 5 P1
14	1	Thread protection	Plastic
13	1	Spring	Stainless steel
12	1	Spring	Stainless steel
11	1	Spring	Stainless steel
10	1	Ratchet sleeve	Steel
9	1	O-ring	NBR
8	1	O-ring	NBR
7	1	O-ring	NBR
6	1	Locking sleeve	Steel, Corr-I-Dur
5	1	Front part	Steel, Fe/Zn 8 P1
4	12	Ball	Stainless steel
3	1	Ball	Stainless steel
2	1	Backup ring	Hytrel
1	1	Back part	Steel, Fe/Zn 8 P1
Detalj Item	Antal Quant.	Benämning Description	Material Material



Product no: 10_365_1204	
Max working pressure, static:	400 bar
Max working pressure, dynamic:	250 bar
Min burst pressure:	1200 bar connected 1200 bar disconnected
Sealing material:	NBR
Temperatur range:	-30°C - +100 °C
Nominal flow diameter, DN:	10 mm
Connection	G 3/8" Fem
Connection stroke:	15.6 mm

Skala Scale	5:2	Ritad Drawn	MBR	Kontr. Checked	JE	Godk. Appr.	MAH	ÄM nr. Alt. no.	7431	Dat. Date	080513
Assembly drawing								Ritning nr./Drawing No.		Utg./Issue	
								50_365_1204		AB	