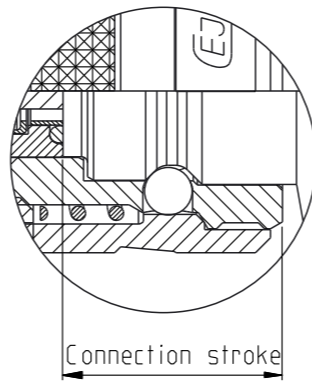
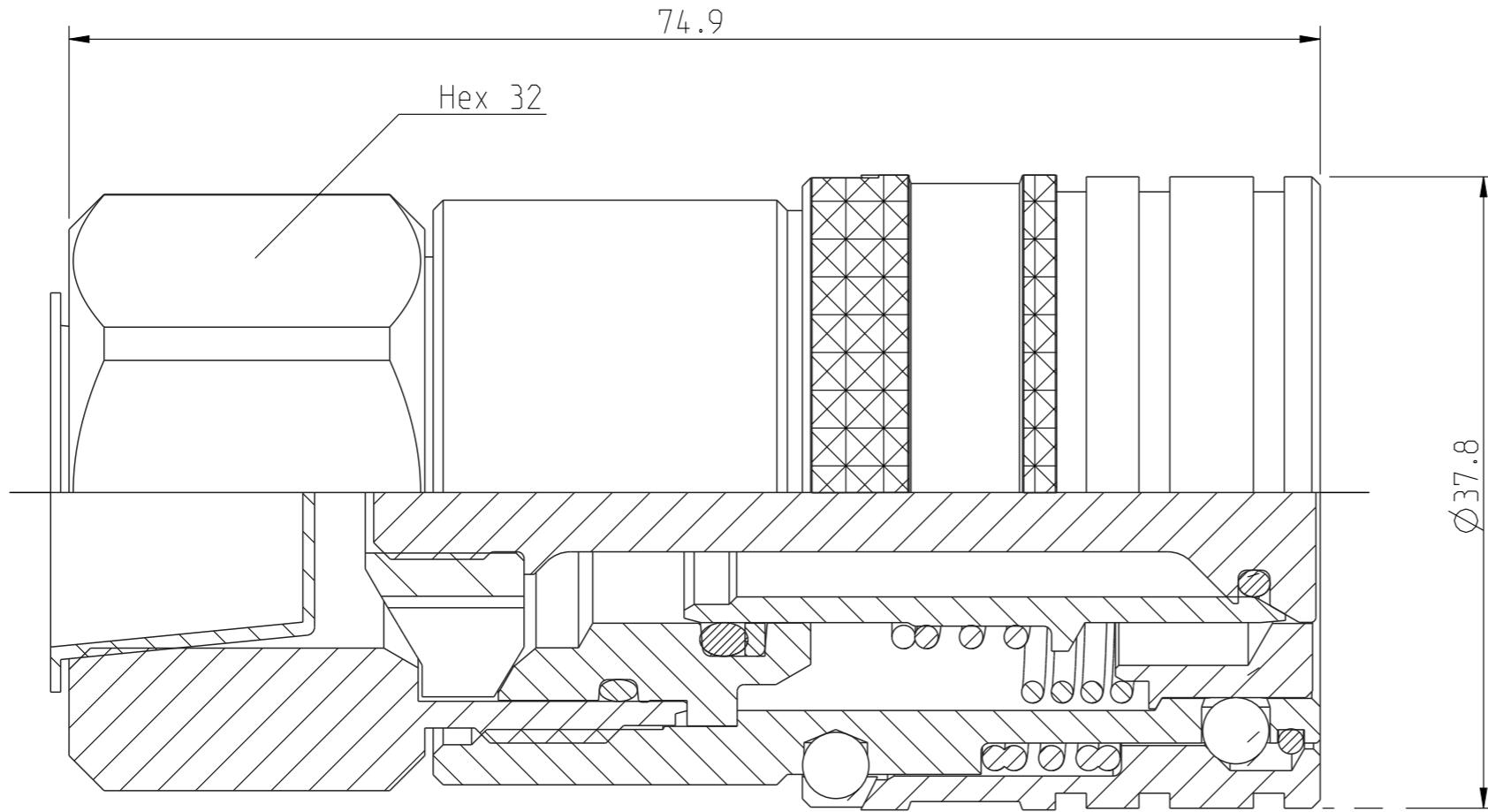


Alla rättigheter förbehålls.
 All rights reserved.
 Alle rechte vorbehalten.

Denna handling får ej utan vårt medgivande delges annan, kopieras eller eljest obehörigen användas.
 Överträdelse härvid beivras med stöd av gällande lag.
 This document must not be copied, either completely or in part, without permission.
 Any infringement will have legal consequences.



18	1	Wire coil	Stainless steel
17	1	Valve stop	Steel, Plated
16	1	Valve sleeve	Steel, Plated
15	1	Valve seat	Steel, Plated
14	1	Valve opener	Steel, Plated
13	1	Thread protection	Plastic
12	1	Spring	Stainless steel
11	1	Spring	Stainless steel
10	1	Spring	Stainless steel
9	1	Ratchet sleeve	Steel, Zn-Ni
8	1	O-ring	NBR
7	1	O-ring	NBR
6	1	O-ring	NBR
5	1	Locking sleeve	Steel, Zn-Ni 10 black
4	1	Front part	Steel, Zn-Ni
3	16	Ball	Stainless steel
2	1	Backup ring	Plastic
1	1	Back part	Steel, Zn-Ni

Detalj Item	Antal Quant.	Benämning Description	Material Material
Skala Scale	5:2	Ritad Drawn CABPEOD	Kontr. Checked JoEr
Godk. Appr.	PMB	Alt. nr. -	Dat. Date 13-08-14
Ritning nr./Drawing No.		Utg./Issue	
50_565_1205		AC	

Product no: 10_565_1205			
Max working pressure:	400	bar	connected
	400	bar	disconnected
Min burst pressure:	1200	bar	connected
	1200	bar	disconnected
Sealing material:	NBR		
Temperatur range:	-30°C - +100 °C		
Nominal flow diameter, DN:	12.5	mm	
Connection	G 1/2"	Fem	
Connection stroke:	16.9	mm	

