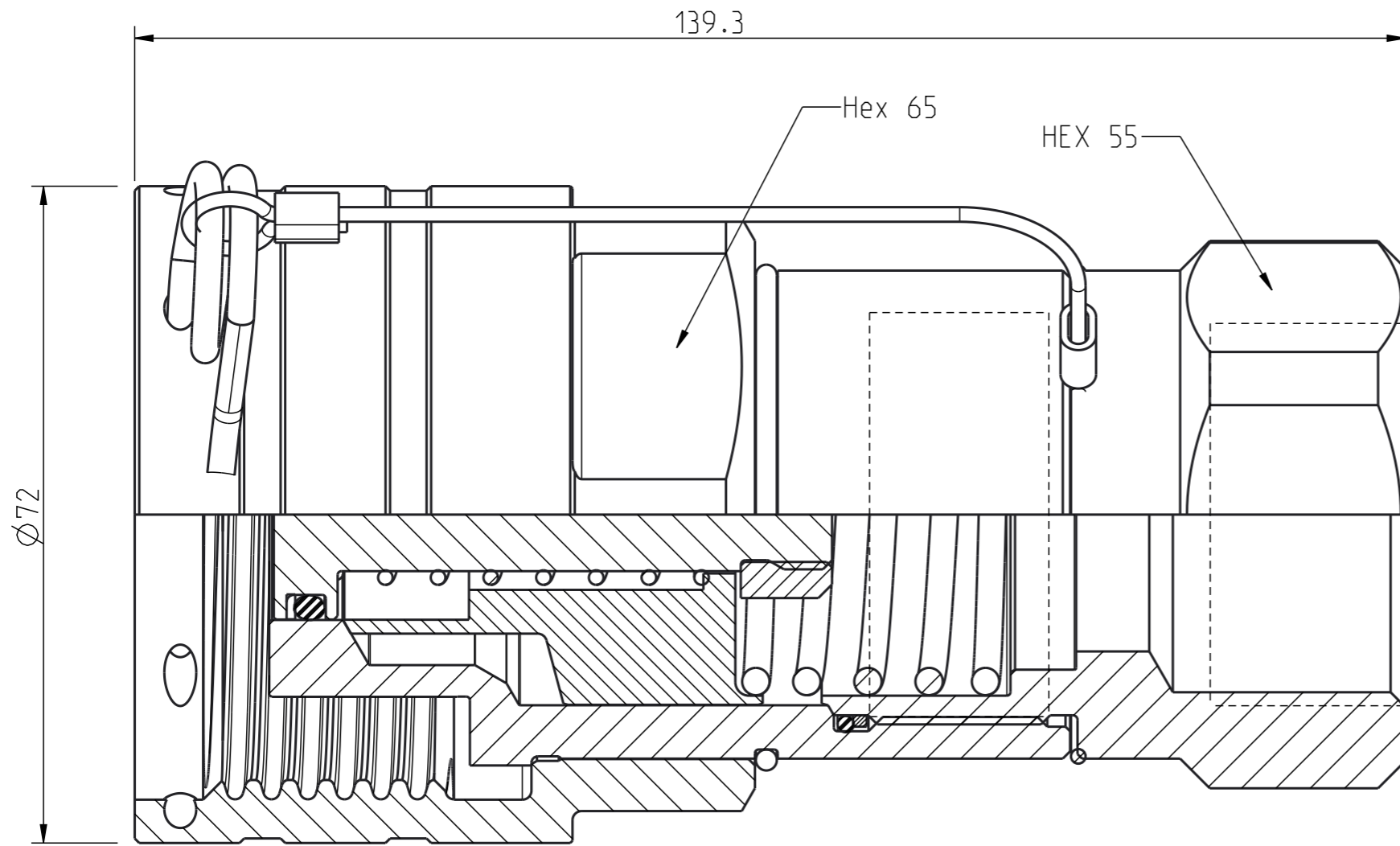
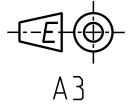


Alla rättigheter förbehålls.  
 All rights reserved.  
 Alle rechte vorbehalten.

Denna handling får ej utan vårt medgivande delges annan, kopieras eller eljest obehörigen användas.  
 Överräddelse härvid beivras med stöd av gällande lag.  
 This document must not be copied, either completely or in part, without permission.  
 Any infringement will have legal consequences.



1:2

Product no: 10_707_6204		
Max working pressure:	400 bar	connected
	330 bar	disconnected
Min burst pressure:	1600 bar	connected
	990 bar	disconnected
Sealing material:	NBR	
Temperatur range:	-30°C - +100 °C	
Nominal flow diameter, DN:	mm	
Connection	G 1 1/4" fem	
Connection stroke:	mm	

16	1	Wire coil	Stainless steel
15	2	Wire clamp	Aluminium
14	1	Wire	Steel/ PA
13	1	Valve sleeve	Steel
12	1	Valve	Steel, Zi-Ni 9 transp
11	1	Sprint	Stainless steel
10	1	Spring	Steel
9	1	Spring	Steel
8	1	O-ring	NBR
7	1	O-ring	NBR
6	1	Nut	Steel
5	1	Nipple Body	Steel hard., Zn-Ni 9 transp
4	1	Locking Sleeve	Steel, Zn-Ni 9 transp
3	1	Back-up	PTSM
2	1	Back up ring	POM
1	1	Back part	Steel, Zn-Ni 9 transp
Detalj Item	Antal Quant.	Benämning Description	Material Material

<b>CEJN</b>	Skala Scale	3:2	Ritad Drawn	CABMBA	Kontr. Checked	PeOd	Godk. Appr.	PMB	Äm nr. Alt. no.	10586	Dat. Date	13-11-06
	Assembly drawing		Ritning nr./Drawing No.		50_707_6204		Utg./Issue		AB			