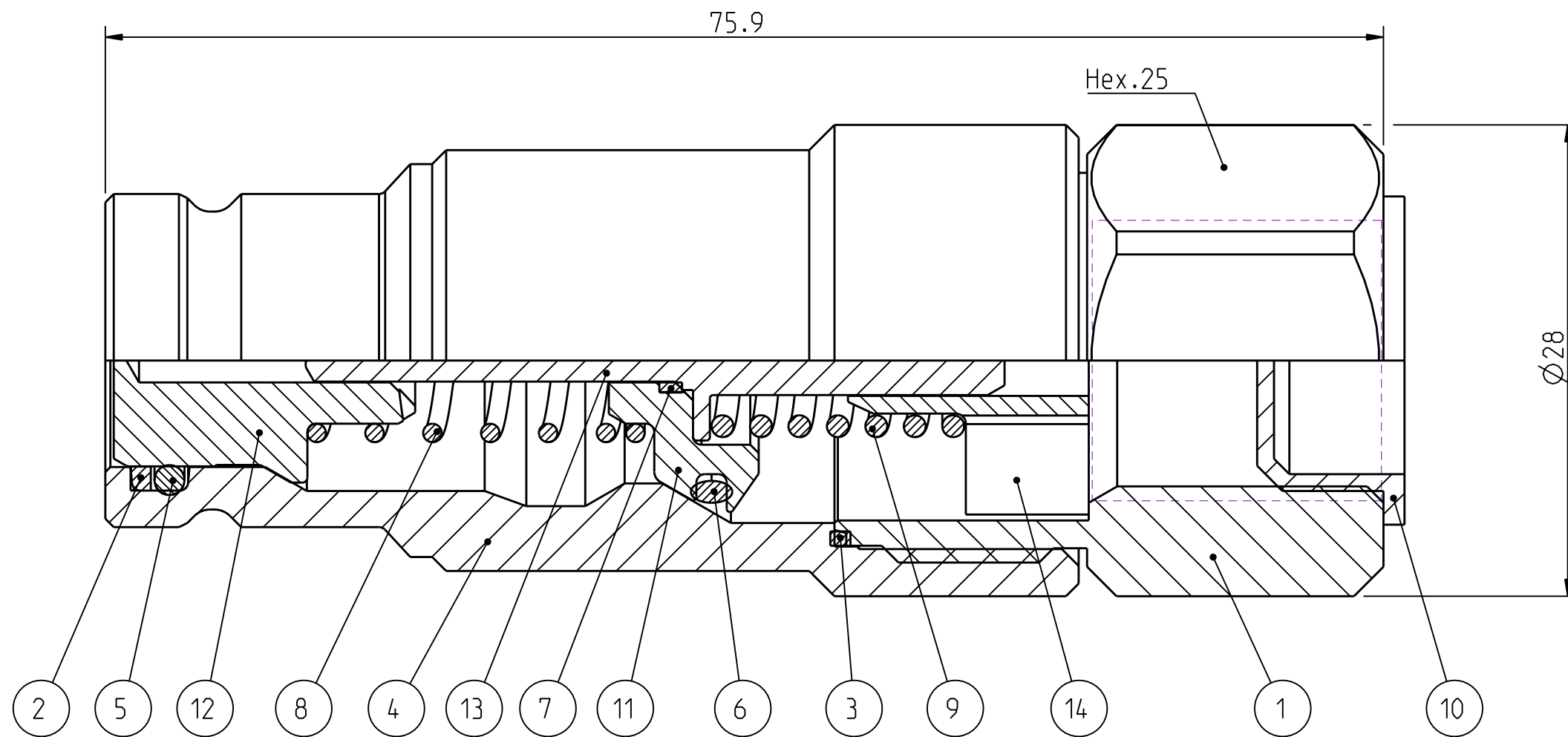


Alla rättigheter förbehålls.  
 All rights reserved.  
 Alle rechte vorbehalten.

Denna handling för ej utan vårt medgivande delges annan, kopieras eller eljest obehörigen användas.  
 Överrättelse härunder beivras med stöd av gällande lag.  
 This document must not be copied, either completely or in part, without permission.  
 Any infringement will have legal consequences.



14	1	Valve stop	Brass
13	1	Valve pin	Steel
12	1	Valve	Steel, FeNi5b
11	1	Valve	Steel
10	1	Thread protection	Plastic
9	1	Spring	Stainless steel
8	1	Spring	Stainless steel
7	1	Seal	Pom
6	1	O-ring	NBR
5	1	O-ring	NBR
4	1	Nipple body	Hardened steel, Fe/Zn 8 P1
3	1	Flat seal	Plastic
2	1	Backup ring	Hytrel
1	1	Back part	Steel, Fe/Zn 8 P1
Detalj Item	Antal Quant.	Benämning Description	Material Material

**Product no: 10\_364\_6204**

Max working pressure, static: 400 bar  
 Max working pressure, dynamic: 250 bar  
 Min burst pressure: 1200 bar connected  
 1200 bar disconnected  
 Sealing material: NBR  
 Temperatur range: -30°C - +100 °C  
 Nominal flow diameter, DN: 10 mm  
 Connection: G 3/8'' Fem  
 Connection stroke: - mm

**CEJN**

Skala Scale	3:1	Ritad Drawn	LES	Kontr. Checked	MBR	Godk. Appr.	KK	ÄM nr. Alt. no.	7616	Dat. Date	081027
Ritning nr./Drawing No.								50_364_6204		Utg./Issue	
Assembly drawing								50_364_6204		AA	

A3