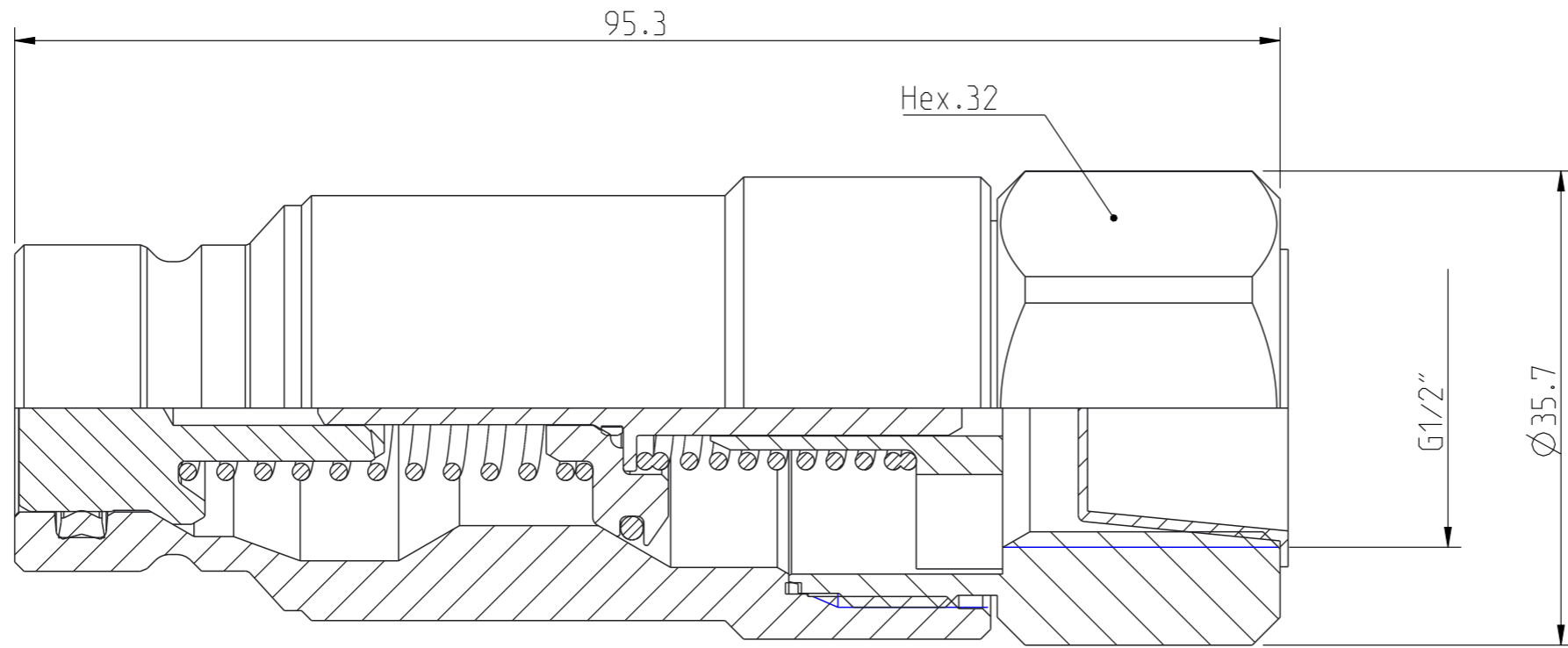


Alle r tigheter f rbeh lls.
All rights reserved.
Alle rechte vorbehalten.

Diese Zeichnung darf weder ganz noch teilweise ohne unsere ausdr ckliche Genehmigung kopiert oder auf andere Weise vervielf tigt werden. Werden. Zuwiderhandlungen werden gerichtlich verfolgt.

 vertr delse h rvid beivras med st d av g llande lag.
This document must not be copied, either completely or in part, without permission. Any infringement will have legal consequences.

A3



Product no.: 10_564_6205		
Max working pressure:	400	bar connected
	400	bar disconnected
Min burst pressure:	1200	bar connected
	1200	bar disconnected
Sealing material:	NBR	
Temperatur range:	-30 �C - +100 �C	
Nominal flow diameter, DN:	12.5	mm
Connection	G 1/2" Fem	
Connection stroke:	-	mm

13	1	Valve stop	Brass	09_564_3950
12	1	Valve pin	Steel	09_564_7052
11	1	Valve	Steel	09_564_3057
10	1	Valve	Brass, Plated	09_564_3050
9	1	Thread protection	Plastic	09_950_1363
8	1	Spring	Stainless steel	09_564_3255
7	1	Spring	Stainless steel	09_564_3250
6	1	Seal	PUR	09_264_4660
5	1	Profile sealing	PUR	09_565_2890
4	1	O-ring	NBR	09_514_2804
3	1	Nipple body	Hard. Steel, Zn-Ni	09_564_2320
2	1	Flat seal	Plastic	09_565_4600
1	1	Back part	Steel, Zn-Ni	09_565_7325

Detalj Item	Antal Quant.	Ben�mning Description	Material Material	Detaljnummer Detail number
Skala Scale		2:1	Ritad Drawn	ABPEOD
Kontroll Checked		JoEr	Godk. Appr.	PMB
AM nr. Alt. no.		10902	Dat. Date 14-08-21	
Ritning nr./Drawing No.			Utg./Issue	
50_564_6205			AD	



Assembly drawing

50_564_6205 AD