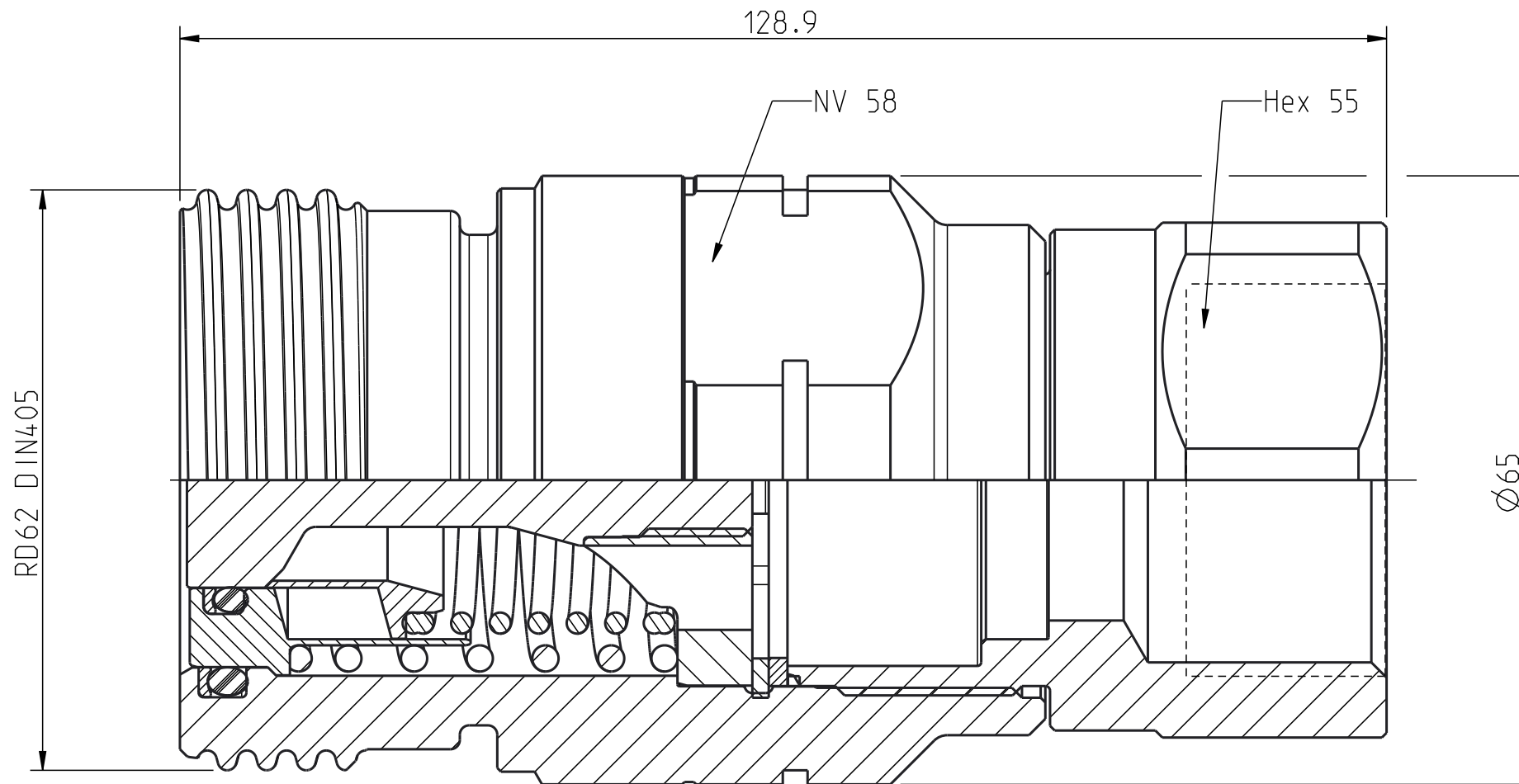
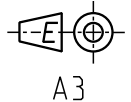


Alla rättigheter förbehålls.
 All rights reserved.
 Alle Rechte vorbehalten.
 Diese Zeichnung darf weder ganz noch teilweise ohne unsere ausdrückliche Genehmigung kopiert oder auf andere Weise vervielfältigt werden.
 werden. Zuwiderhandlungen werden gerichtlich verfolgt.

Denna handling får ej utan vårt medgivande delges annan, kopieras eller eljest obehörigen användas.
 Överräddelse härvid beivras med stöd av gällande lag.
 This document must not be copied, either completely or in part, without permission.
 Any infringement will have legal consequences.



| | | |
|----------------------------|--------------------|----------------------|
| Product no: 10_707_1204 | | |
| Max working pressure: | 400 bar connected | 330 bar disconnected |
| Min burst pressure: | 1600 bar connected | 990 bar disconnected |
| Sealing material: | NBR | |
| Temperatur range: | -30°C - +100 °C | |
| Nominal flow diameter, DN: | mm | |
| Connection | G 1 1/4" fem | |
| Connection stroke: | mm | |

| | | | |
|----|---|----------------|------------------------------|
| 15 | 1 | Washer | Steel |
| 14 | 1 | Valve sleeve | Steel |
| 13 | 1 | Valve opener | Steel harden. Zn-Ni 9 transp |
| 12 | 1 | Valve | Steel, Zn-Ni 9 transp |
| 11 | 1 | Stop for valve | Steel |
| 10 | 1 | Spring | Steel |
| 9 | 1 | Spring | Stainless steel |
| 8 | 1 | O-ring | NBR |
| 7 | 1 | O-ring | NBR |
| 6 | 1 | Lock ring | Steel |
| 5 | 1 | Flat seal | Plastic |
| 4 | 1 | Coupling body | Steel hard. Zn-Ni 9 transp |
| 3 | 1 | Back up ring | POM |
| 2 | 1 | Back up ring | POM |
| 1 | 1 | Back part | Steel, Zn-Ni 9 transp |

| Detalj Item | Antal Quant. | Benämning Description | Material Material |
|-------------|--------------|-----------------------|-------------------|
|-------------|--------------|-----------------------|-------------------|

| | | | | | | | | | | | | |
|-------------|------------------|-----|-------------------------|--------|----------------|------|-------------|-----|-----------------|-------|-----------|----------|
| CEJN | Skala Scale | 2:1 | Ritad Drawn | CABMBA | Kontr. Checked | PeOd | Godk. Appr. | PMB | Äm nr. Alt. no. | 10586 | Dat. Date | 13-11-06 |
| | Assembly drawing | | Ritning nr./Drawing No. | | | | 50_707_1204 | | Utg./Issue | | AB | |