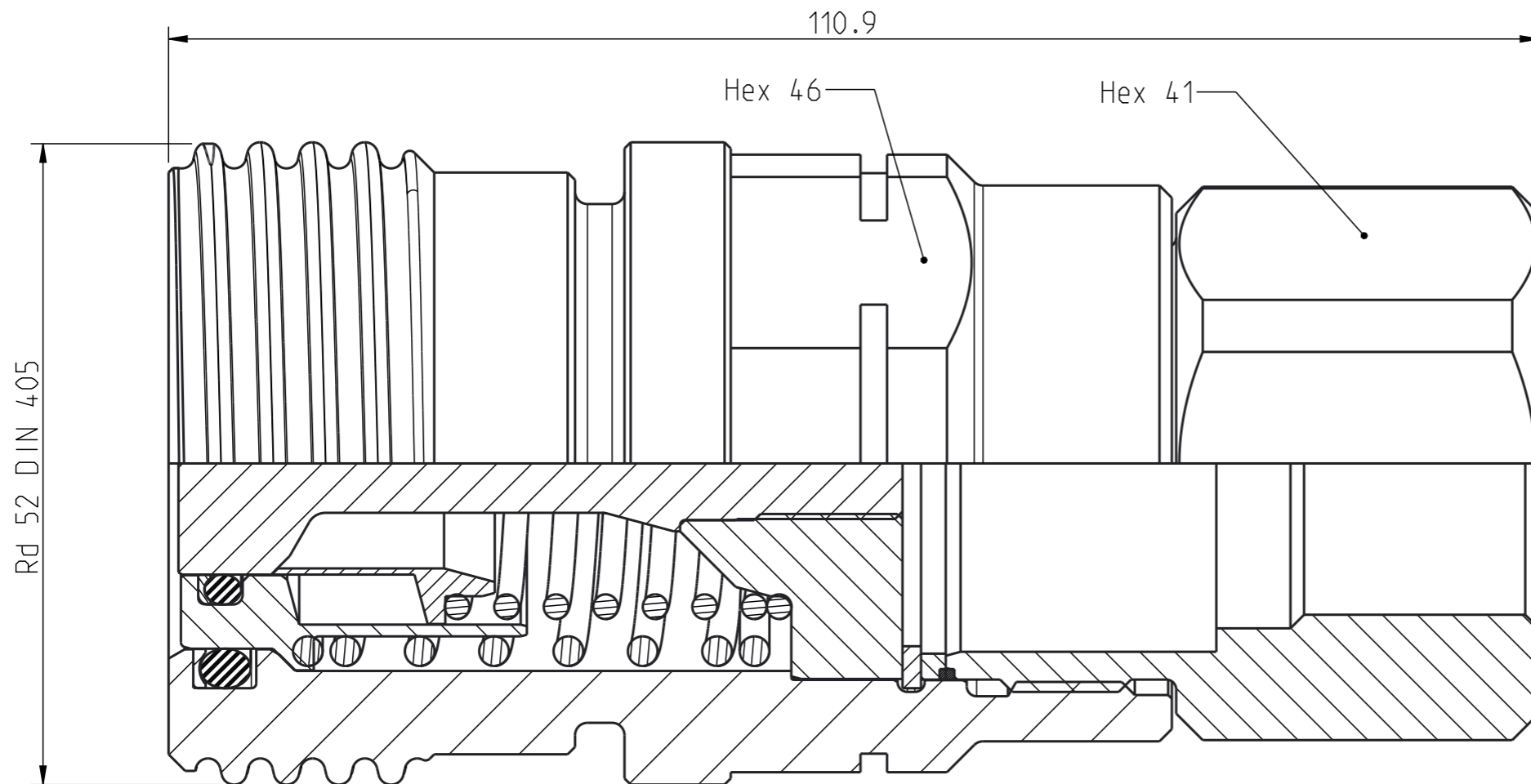
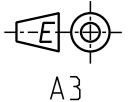


Diese Zeichnung darf weder ganz noch teilweise ohne unsere ausdrückliche Genehmigung kopiert oder auf andere Weise vervielfältigt werden. Alle Rechte vorbehalten.

Denna handling får ej utan vårt medgivande delges annan, kopieras eller eljest obehörigen användas. Överlåtelse härvid beivras med stöd av gällande lag. This document must not be copied, either completely or in part, without permission. Any infringement will have legal consequences.



1:1

Product no: 10_607_1301		
Max working pressure:	400 bar connected	330 bar disconnected
Min burst pressure:	1600 bar connected	990 bar disconnected
Sealing material:	NBR	
Temperatur range:	-30°C - +100 °C	
Nominal flow diameter, DN:	mm	
Connection	G 3/4" fem	
Connection stroke:	mm	

15	1	Washer	Steel
14	1	Valve sleeve	Steel
13	1	Valve opener	Steel, Zn-Ni 9 transp
12	1	Valve	Steel, Zn-Ni 9 transp
11	1	Stop for valve	Steel
10	1	Spring	Stainless steel
9	1	Spring	Stainless steel
8	1	O-ring	NBR
7	1	O-ring	NBR
6	1	Lock ring	Steel
5	1	Flat seal	Plastic
4	1	Coupling Body	Steel, Zi-Ni 9 transp
3	1	Back up ring	PTFE
2	1	Back up ring	PTFE
1	1	Back part	Steel, Zn-Ni 9 transp
Detalj Item	Antal Quant.	Benämning Description	Material Material

CEJN	Skala Scale	2:1	Ritad Drawn	CABMBA	Kontr. Checked	JoEr	Godk. Appr.	PMB	Äm nr. Alt. no.	10586	Dat. Date	13-10-11
	Assembly drawing		Ritning nr./Drawing No.		50_607_1301		Utg./Issue		AB			