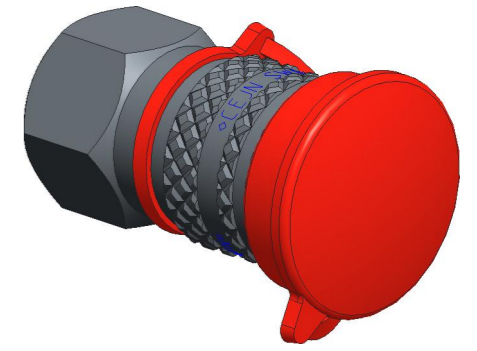
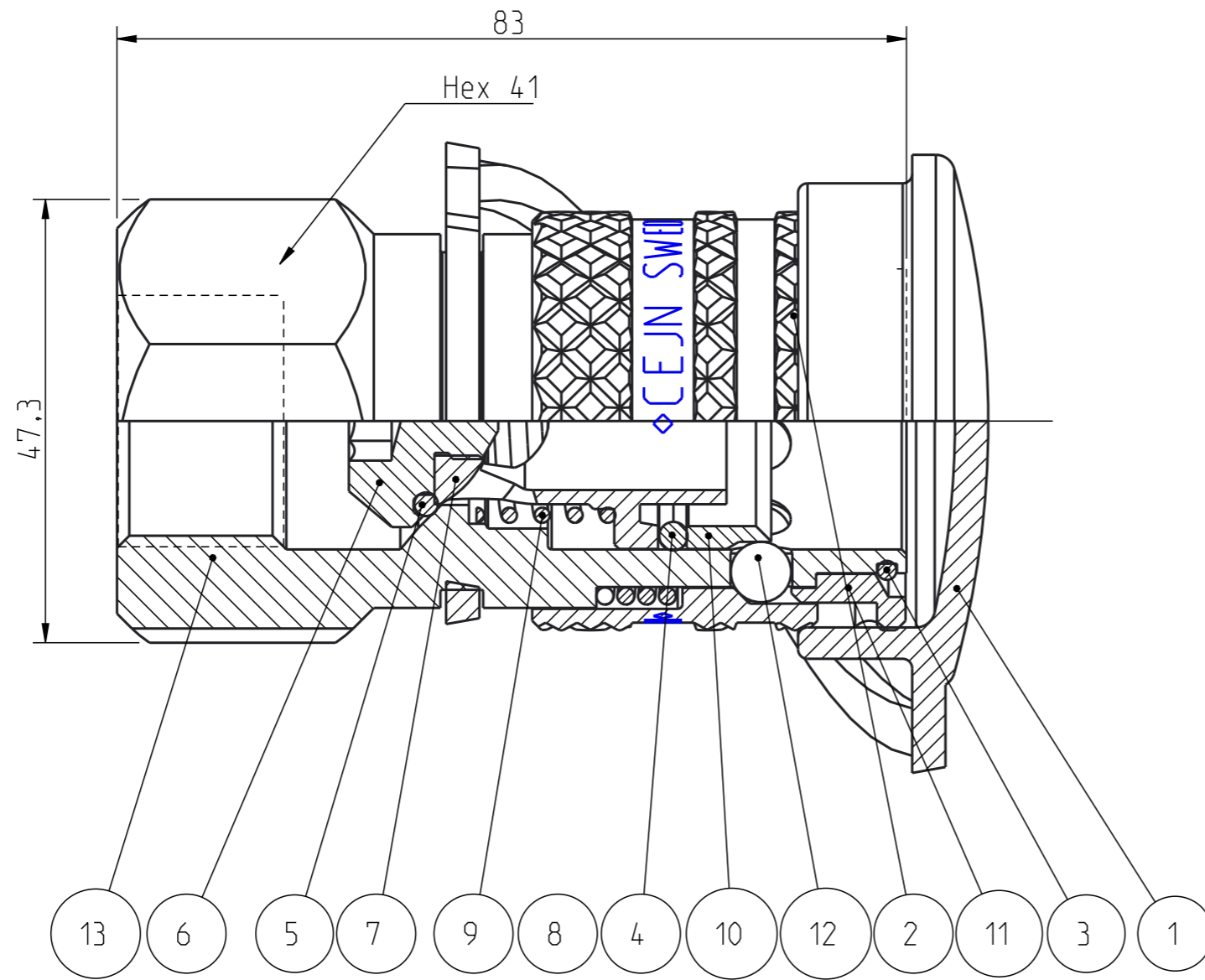
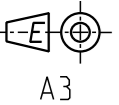


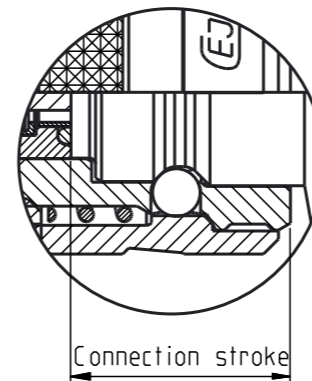
Diese Zeichnung darf weder ganz noch teilweise ohne unsere ausdrückliche Genehmigung kopiert oder auf andere Weise vervielfältigt werden. Alle Rechte vorbehalten.

Denna handling får ej utan vårt medgivande delges annan, kopieras eller eljest obehörigen användas. Överlåtelse härvid beivras med stöd av gällande lag. This document must not be copied, either completely or in part, without permission. Any infringement will have legal consequences.



3:5

13	1	Coupling body	Brass, CuNi5b Cr r
12	9	Ball	Stainless steel
11	1	Stop flange	Brass, CuNi5b Cr r
10	1	Ratchet sleeve	Brass
9	1	Spring	Stainless steel
8	1	Spring	Stainless steel
7	1	Valve	Brass
6	1	Valve nut	Brass
5	1	O-ring	NBR
4	1	O-ring	NBR
3	1	Lock ring	Stainless steel
2	1	Locking sleeve	Brass, CuNi5b Cr r
1	1	Dust cap	Plastic
Detalj Item	Antal Quant.	Benämning Description	Material Material



Product no: 10_604_1201		
Max working pressure:	35	bar connected
	35	bar disconnected
Min burst pressure:	140	bar connected
	140	bar disconnected
Sealing material:	NBR	
Temperatur range:	-30°C - +100 °C	
Nominal flow diameter, DN:	14.5	mm
Connection	G 3/4" Fem	
Connection stroke:	34.3	mm

CEJN	Skala Scale	8:5	Ritad Drawn	PGU	Kontr. Checked	JoJ	Godk. Appr.	MAH	Alt. nr. ALT. no.	10213	Dat. Date	130311	
	Assembly drawing								Ritning nr./Drawing No.		50_604_1201	Utg./Issue	