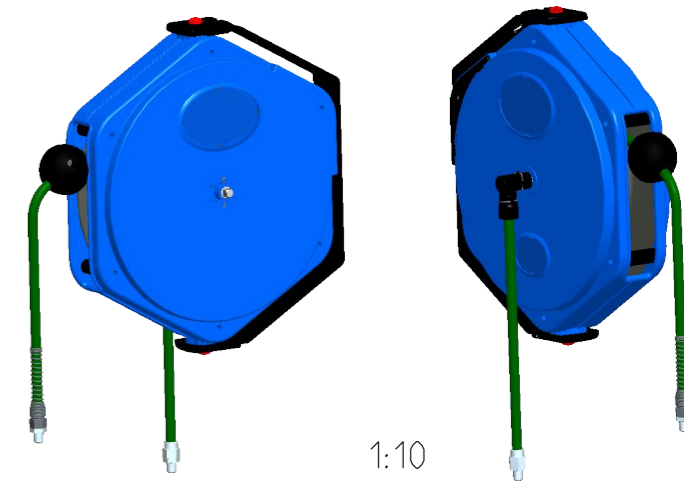
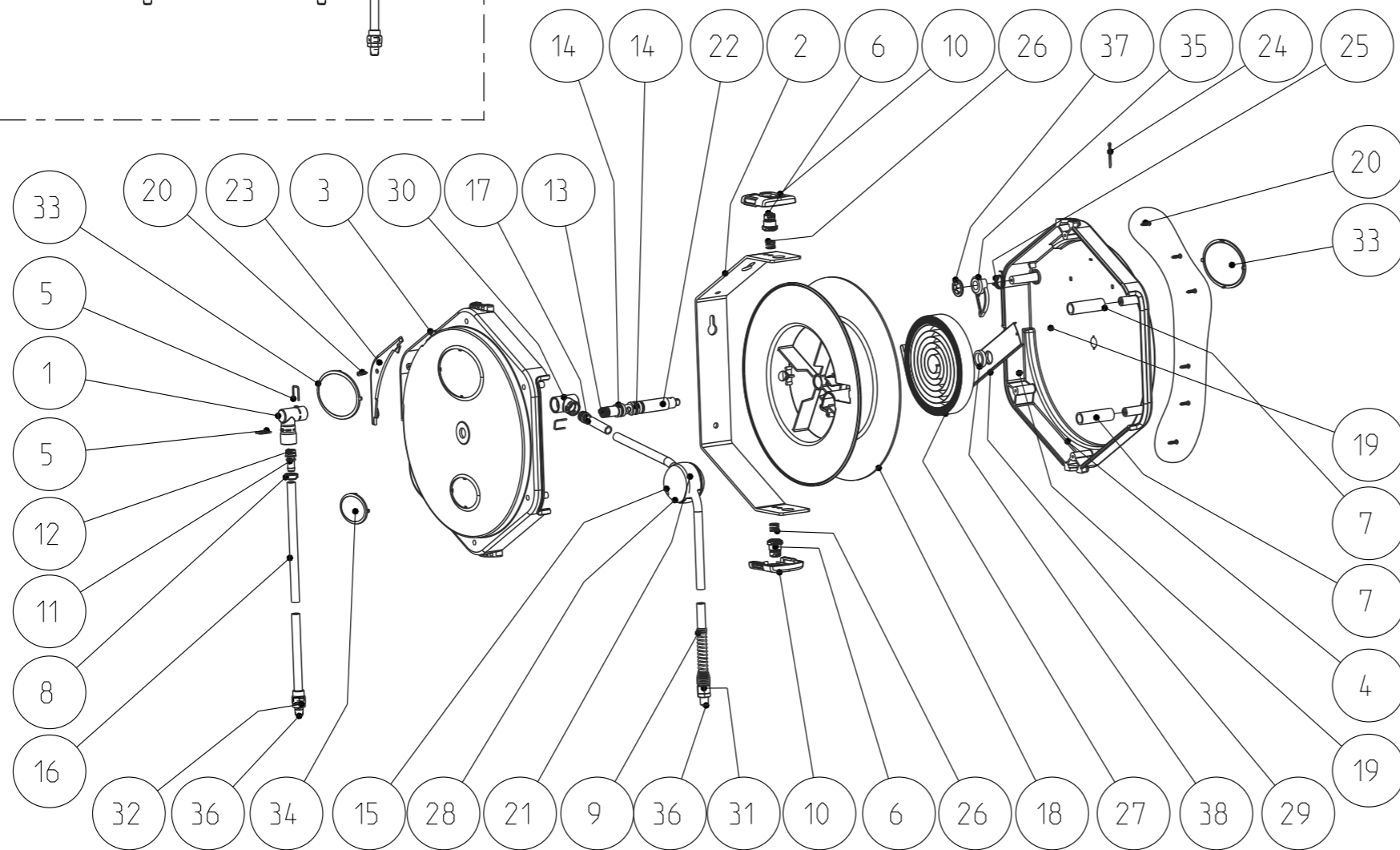
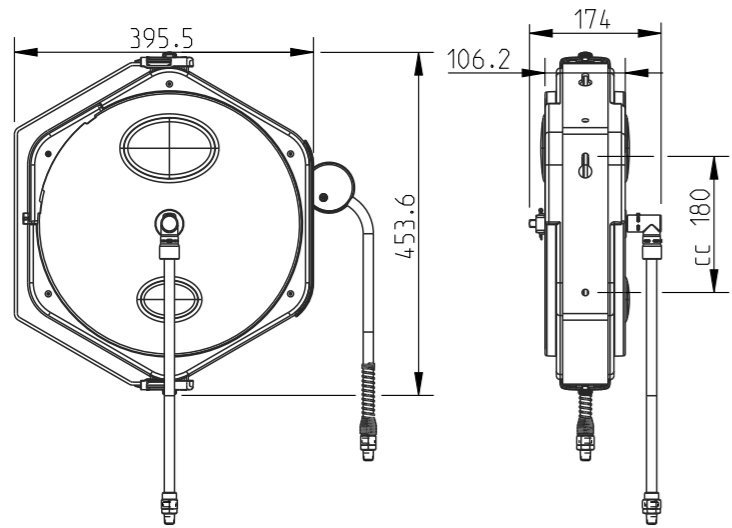


Denna handling förbehålls utan rätt medgivande delges annan. Kopieras eller eljest obehörigen användas.  
 Överträdelse härvid beivras med stöd av gällande lag.  
 This document must not be copied, either completely or in part, without permission.  
 Any infringement will have legal consequences.

Diese Zeichnung darf weder ganz noch teilweise ohne unsere ausdrückliche Genehmigung kopiert oder auf andere Weise vervielfältigt werden.  
 Werden. Zuwiderhandlungen werden gerichtlich verfolgt.  
 All rights reserved.  
 All rights reserved.  
 Alle Rechte vorbehalten.



38	1	Washer	Steel
37	1	Washer	Steel
36	2	Union half nipple	Brass, plated
35	1	Trigger	Plastic
34	1	Text plate	Plastic
33	2	Text plate	Plastic
32	1	Swivel nut	Brass, plated
31	1	Swivel nut	Brass
30	1	Swivel connection	Plastic
29	1	Support bracket	Steel
28	2	Stop ball	Plastic
27	1	Spring	Steel
26	2	Spring	Stainless steel
25	1	Spring	Stainless steel
24	1	Split pin	Steel
23	1	Side cover	Plastic
22	1	Shaft "hose"	Al
21	2	Screw	Steel
20	7	Screw	Steel
19	2	Screw	Steel
18	1	Reel	Plastic
17	1	Polyurethane hose	-
16	4	Polyurethane hose	-
15	2	Outer casing	Plastic
14	2	O-ring	NBR
13	1	O-ring	NBR
12	2	O-ring	NBR
11	2	Nipple 9.5X13.5	Aluminium
10	2	Locking plate	Plastic
9	1	Hose protector	Steel, plated
8	1	Hose clamp	Stainless steel
7	2	Guide roll	Plastic
6	2	Guide Bolt	Plastic
5	3	Clamp	Stainless steel
4	1	Casing right	Plastic
3	1	Casing left	Plastic
2	1	Bracket	Steel
1	1	Angle connection	Plastic

Product no: 19_911_5140	
Max working pressure:	9 bar
Hose length:	14 m
Sealing material:	NBR
Temperatur range:	5 °C - +60 °C
Connection	R 1/4" male

<b>CEJN</b>	Skala Scale	1:10	Ritad Drawn	JOO	Kontr. Checked	LHe	Godk. Appr.	OG	Äm nr. Alt. no.	-	Dat. Date	150504
	Assembly drawing							Ritning nr./Drawing No.		50_911_5140		Utg./Issue