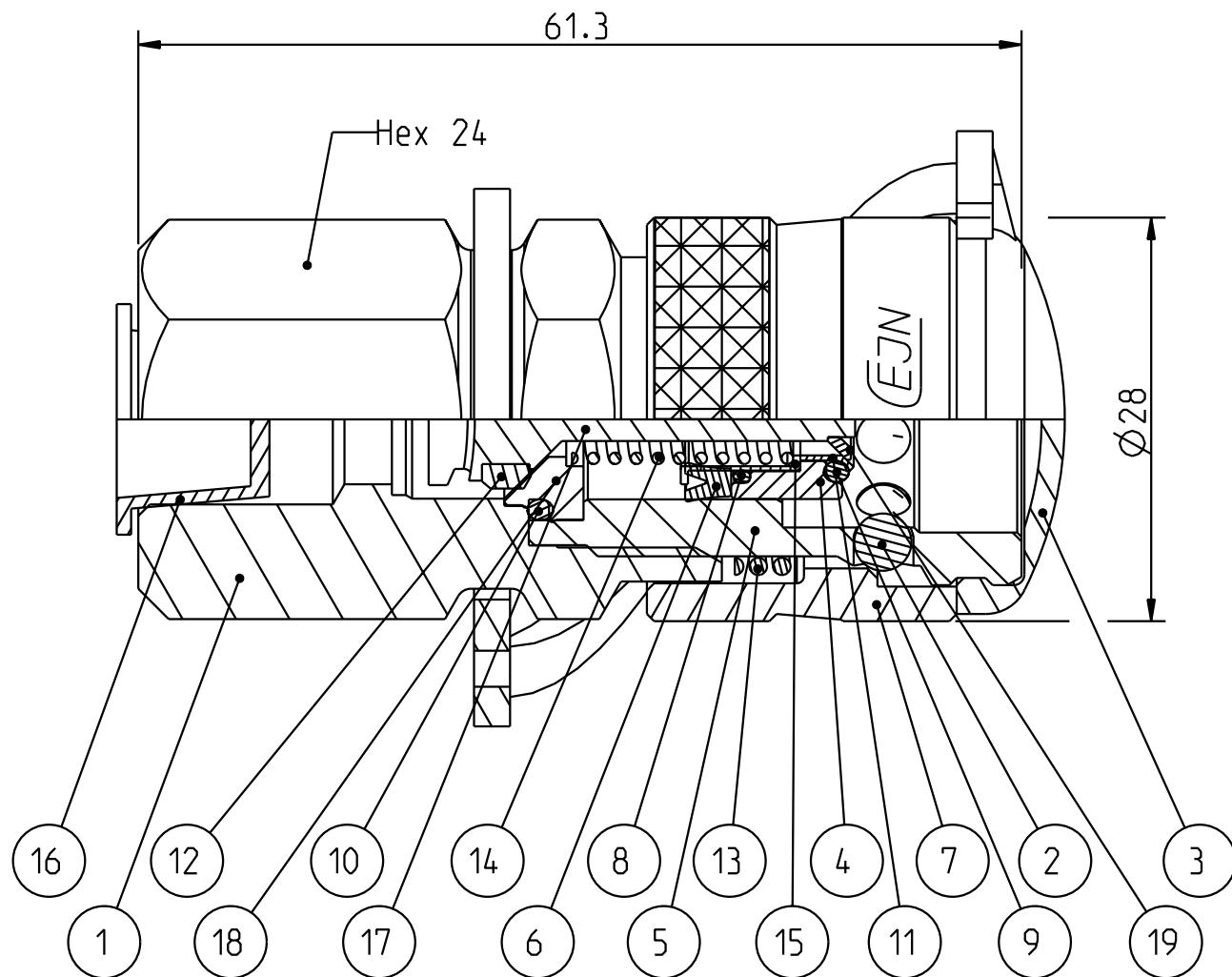


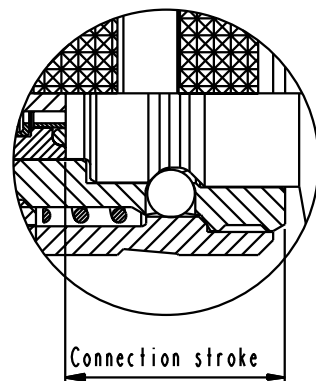
Alla rättigheter förbehålls.
 All rights reserved.
 Alle Rechte vorbehalten.

Diese Zeichnung darf weder ganz noch teilweise ohne unsere ausdrückliche Genehmigung kopiert oder auf andere Weise vervielfältigt werden. Werden. Zuwiderhandlungen werden gerichtlich verfolgt.

Denna handling får ej utan vårt medgivande delges annan, kopieras eller eljest obehörigen användas. Överrättelse härvid beivras med stöd av gällande lag. This document must not be copied, either completely or in part, without permission. Any infringement will have legal consequences.



19	1	Washer	Steel
18	1	Valve seat	Steel
17	1	Valve	Steel, FeZn5
16	1	Thread protection	Plastic
15	1	Spring housing	Steel
14	1	Spring	Steel
13	1	Spring	Stainless steel
12	1	Seal	NBR
11	1	O-ring sleeve	Steel
10	1	O-ring	NBR
9	1	O-ring	NBR
8	1	O-ring	NBR
7	1	Locking sleeve	Hard. steel, FeZn5 c 1A
6	1	Lip seal	NBR
5	1	Front part	Steel, FeZn5 c 1A
4	1	Expansion sleeve	Plastic
3	1	Dust cap	Plastic
2	9	Ball	Stainless steel
1	1	Back part	Steel, FeZn5 c 1A
Detalj Item	Antal Quant.	Benämning Description	Material Material



Product no: 10_115_1202		
Max working pressure:	1000 bar connected	1000 bar disconnected
Min burst pressure:	2600 bar connected	2600 bar disconnected
Sealing material:	NBR	
Temperatur range:	-30°C - +100 °C	
Nominal flow diameter, DN:	2.5 mm	
Connection	G1/4" female	
Connection stroke:	18.3 mm	

CEJN	Skala Scale	2:1	Ritad Drawn	MJ	Kontr. Checked	JE	Godk. Appr.	RE	Alt. nr. Alt. no.	Dat. Date	100105
	Assembly drawing							Ritning nr./Drawing No.		Utg./Issue	
							50_115_1202		AB		