

Solenoid operated valves

2-way 2-positions, normally closed

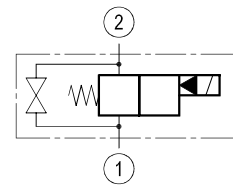
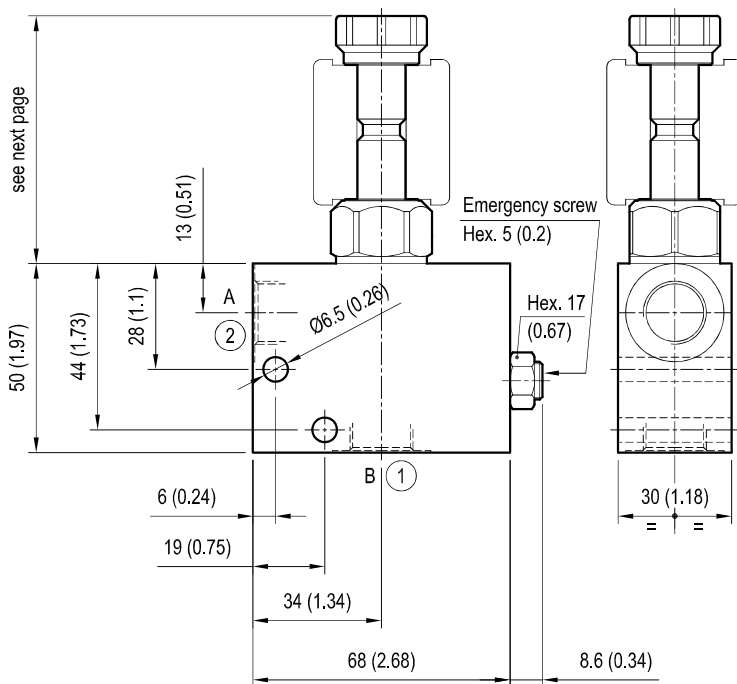
Common cavity size 08
in emergency manifold

VEI-CE-8A/8I-06

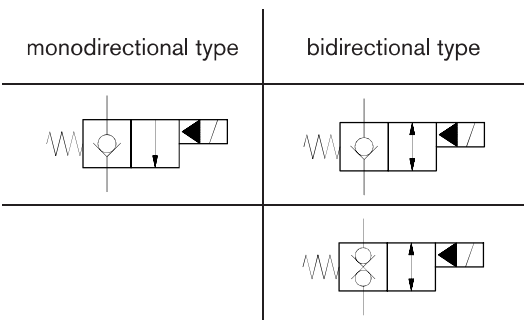
OE.15 - K - 18 - Y - Z - W

Dimensions

OE1531183A0200



Cartridge schemes



[mm (inches)]

Technical data

Max flow:	up to 40 l/min	(11 gpm)
Max operating pressure for steel body:	350 bar	(5000 psi)
Max operating pressure for aluminium body:	210 bar	(3000 psi)

To order only manifold see data sheet RE 18325-85

Performance graph

