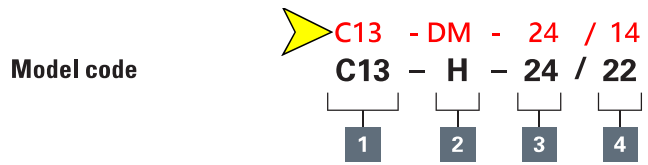


C13 and C16 coil



1 Coil Series C13 - 13 mm tube C16 - 16 mm tube	3 Voltage 12 12 VDC 24 24 VDC 110 110 VRAC 220 220 VRAC*	4 Power Rating C13 - 14 = 14 Watt 22 = 22 Watt 27 = 27 Watt C16 - 19 = 19 Watt 29 = 29 Watt
2 Connection H - DIN43650 ISO Standard F - Flying Leads (12 and 24 VDC only) DM - Deutsch male, DT04-2P, integrated (12 & 24 VDC only)	*220 to 240 VAC All AC coils must be used with a rectifying connector: (AXP9997- 115 or AXP9997-230) (Other voltages available on request)	

Specifications	Ratings and Specifications
	Duty Rating Continuous for 100% of nominal voltage of +/-10 %
	Operating temperature -30°C to 155°C
	Power Rating C13: 14 Watt, 22 Watt, 27Watt C16: 19 Watt, 29 Watt
	Encapsulant Black Polybutylene Reinforced & Black Polyarylamide Reinforced

Environmental protection	Connector	Ip54	Ip65	Ip67	Ip69k
	F: Wire Leads	X			
	H: DIN43650	X	X		
	DM: Deutsch	X	X	X	X

Caution
Coils may be hot to touch if used in continuous duty applications.

C13 Series coils part numbers - 400AA00_____ (Complete part number is 11 Digits)

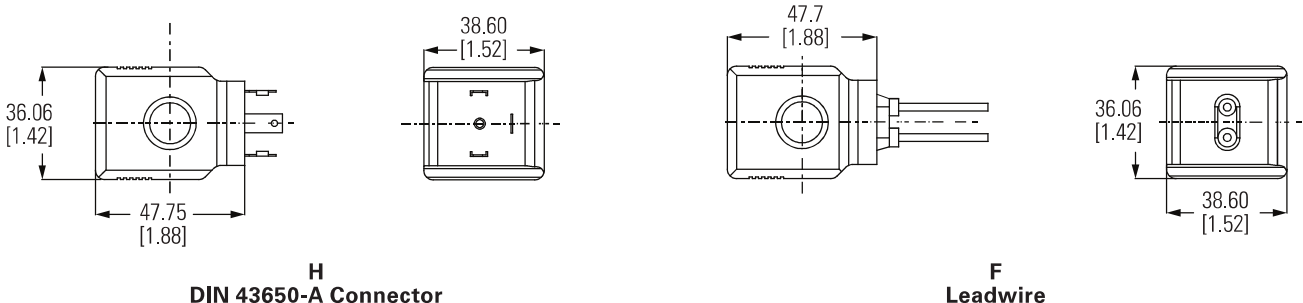
Voltage	H			F			DM		
	14 Watt	22 Watt	27 Watt	14 Watt	22 Watt	27 Watt	14 Watt	22 Watt	27 Watt
12	230A	002A	028A	230A	026A	028A	–	249A	–
14	008A	029A	044A	036A	037A	–	–	–	–
110	027A	038A	211A	–	–	–	–	–	–
220	041A	042A	212A	–	–	–	–	–	–

C16 Series coils part numbers - 400AA00_____ (Complete part number is 11 Digits)

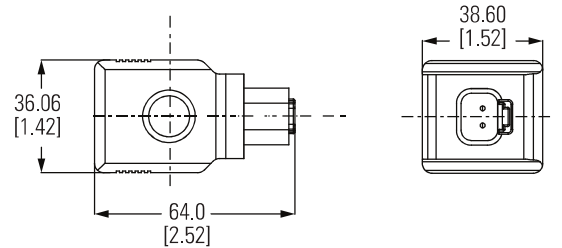
Voltage	H		F		DM	
	19 Watt	29 Watt	19 Watt	29 Watt	19 Watt	29 Watt
12	003A	005A	007A	052A	–	–
14	004A	006A	053A	270A	–	–
110	054A	055A	–	–	–	–
220	057A	213A	–	–	–	–

Where measurements are critical request certified drawings. We reserve the right to change specifications without notice.

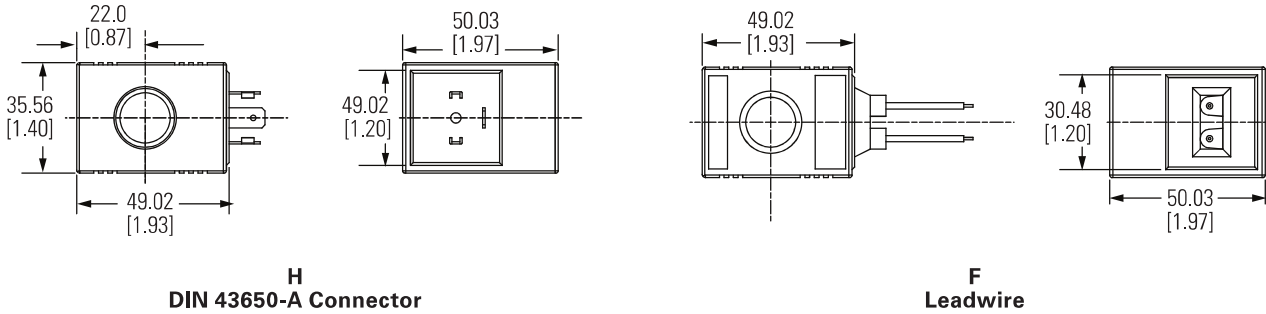
C13 Coils



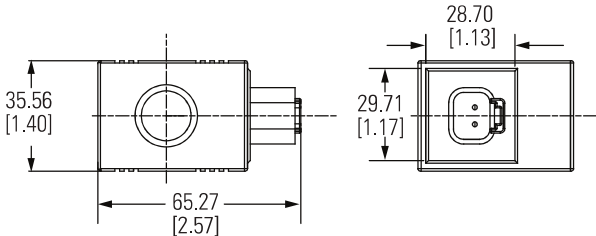
DM
Deutsch male DTO4-2P integrated connector



C16 Coils



DM
Deutsch male DTO4-2P integrated connector



Where measurements are critical request certified drawings. We reserve the right to change specifications without notice.