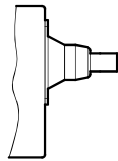
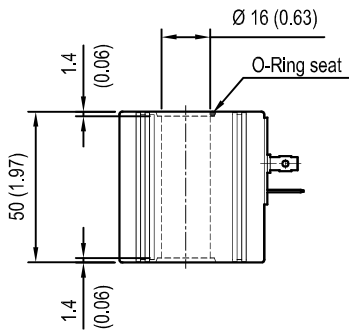
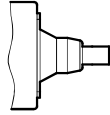
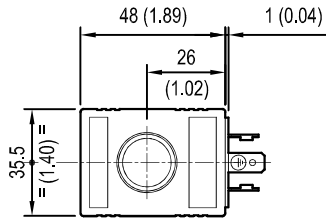


# Coils - Connectors

## COIL S7 - CLASS H - 30 W

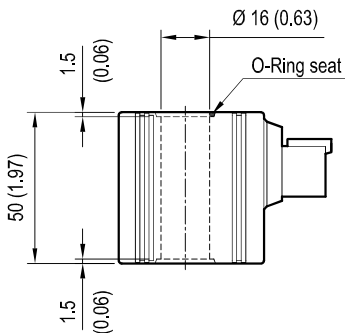
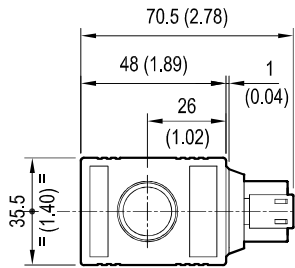
S7-H  
DIN 43650-ISO 4400  
IP65

SINGLE LEAD  
IP54



[ mm / Inches ]

S7-D  
DEUTSCH DT04-2P  
IP69K



[ mm / Inches ]

### Preferred types (readily available)

Type	Material number
OD02070130OB02	R901090824
OD02070130OC02	R901090825
<b>OD02072030OB02</b>	<b>R901094589</b>
OD02072030OG02	R934000349
OD02072230OG02	R934000355

## OD.02.07 - X - Y - Z - 02

### TECHNICAL DATA

Weight: 0.33 kg (0.73 lbs)  
Heat insulation Class H: 180°C (356°F)  
Ambient temperature range: -30/+60°C (-22/+140°F)  
Inlet voltage fluctuations must not exceed ±10% of nominal voltage to obtain correct operation and long life coils.

X	Y	Connections	Circuit	Voltage
01	30	DIN 43650 - ISO 4400	Standard	DC
0H	02	SINGLE LEAD	Bidirectional Diode	DC *

\* Length 200 mm (7.87 inches). Ext. diameter 0.53 mm (0.02). External and internal Shealth Silicone rubber.

Z	Voltage V	Resistance Ohm (±7%)	Power W	Current A		ΔT °C (°F) 1 hour energized at Ta=20-25°C (68-77°F) Nominal voltage
	Nominal	Ta = 20-25°C (68-77°F)	Cold coil	Cold coil	Hot coil	
OB	12 DC	4.8	30	2.5	1.8	120-140 (248-284)
OC	24 DC	18.8	30	1.2	0.9	

X	Y	Connections	Circuit	Voltage
<b>20</b>	<b>30</b>	<b>DEUTSCH DT04-2P</b>	<b>Standard</b>	<b>DC</b>
22	30	DEUTSCH DT04-2P	Bidirectional Diode	DC

Z	Voltage V	Resistance Ohm (±7%)	Power W	Current A		ΔT °C (°F) 1 hour energized at Ta=20-25°C (68-77°F) Nominal voltage
	Nominal	Ta = 20-25°C (68-77°F)	Cold coil	Cold coil	Hot coil	
OB	12 DC	4.8	30	2.5	1.8	120-140 (248-284)
<b>OG</b>	<b>14 DC</b>	<b>6.5</b>	<b>30</b>	<b>2.1</b>	<b>1.4</b>	
OC	24 DC	18.8	30	1.2	0.9	

Available on request: different voltages, working duty Ed 50 %

These coils have passed the THERMAL SHOCK DUNK TEST

Note: for general information see "Section 7 - Technical Data"

Type	Material number
OD02072030OC02	R901094594
OD02072230OB02	R901094595
OD02072230OC02	R901094597
OD02070H02OB02	R934004373

Further types available by request