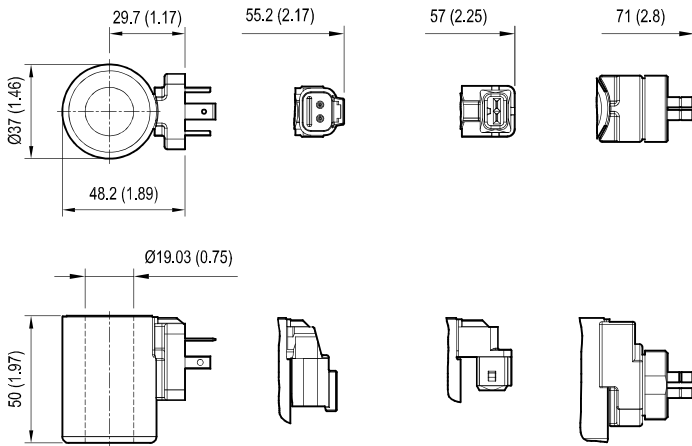


# Coils - Connectors

COIL GP37 PROPORTIONAL - CLASS H

37 - X - RY - Y 00

DIN EN 175301 - 803  
IP65DEUTSCH DT04 - 2P  
C37AMP JUNIOR  
C37KOSTAL M27x1  
C37

## TECHNICAL DATA

Weight: 0.24 kg (0.53 lbs)

Heat insulation Class H: 180°C (356°F)

Ambient temperature range: -40/+110°C (-40/+230°F)

Inlet voltage fluctuations must not exceed ±15% of nominal voltage to obtain correct operation and long life coils.

Coils are not equipped with suppression diode.

Coating to DIN 50962 - Fe // ZnNi with thick film passivation. (Salt spray test to DIN 50021 720 h)

Recommended dither frequency (PWM) 120 Hz

[mm / Inches]

X	Connection	Type of protection
C4	AMP JUNIOR TIMER	IP 66 (IP69K with connector R901022127) see RE08006
<b>K40</b>	<b>DT04-2P DEUTSCH</b>	<b>IP 69K</b>
K4	DIN 43650 - ISO4400	IP65
K46	KOSTAL	IP65

Y	Nominal Voltage (V)	Resistance at 20°C / 68°F ± 5% (Ohm)	Resistance max. hot valve (Ohm)	Max. control current I max. (mA)	Minimum terminal voltage to get I max. at max. hot resistance (V)
<b>2,3</b>	<b>12 DC</b>	<b>2.3</b>	<b>3.8</b>	<b>1760</b>	<b>6.7</b>
4,8	24 DC	4.8	7.9	1200	9.5
11,5	24 DC	11.5	18.5	800	14.5

## Preferred types

Type	Material number
37-C4-R11,500	R901049963
37-C4-R2,300	R901003044
37-C4-R4,800	R901003026
37-K40-R11,500	R901050010
<b>37-K40-R2,300</b>	<b>R901003055</b>
37-K40-R4,800	R901003053

Type	Material number
37-K4-R11,500	R901049962
37-K4-R2,300	R901002932
37-K4-R4,800	R901002319
37-K46-R11,500	R901117075
37-K46-R2,300	R901103949
37-K46-R4,800	R901103947