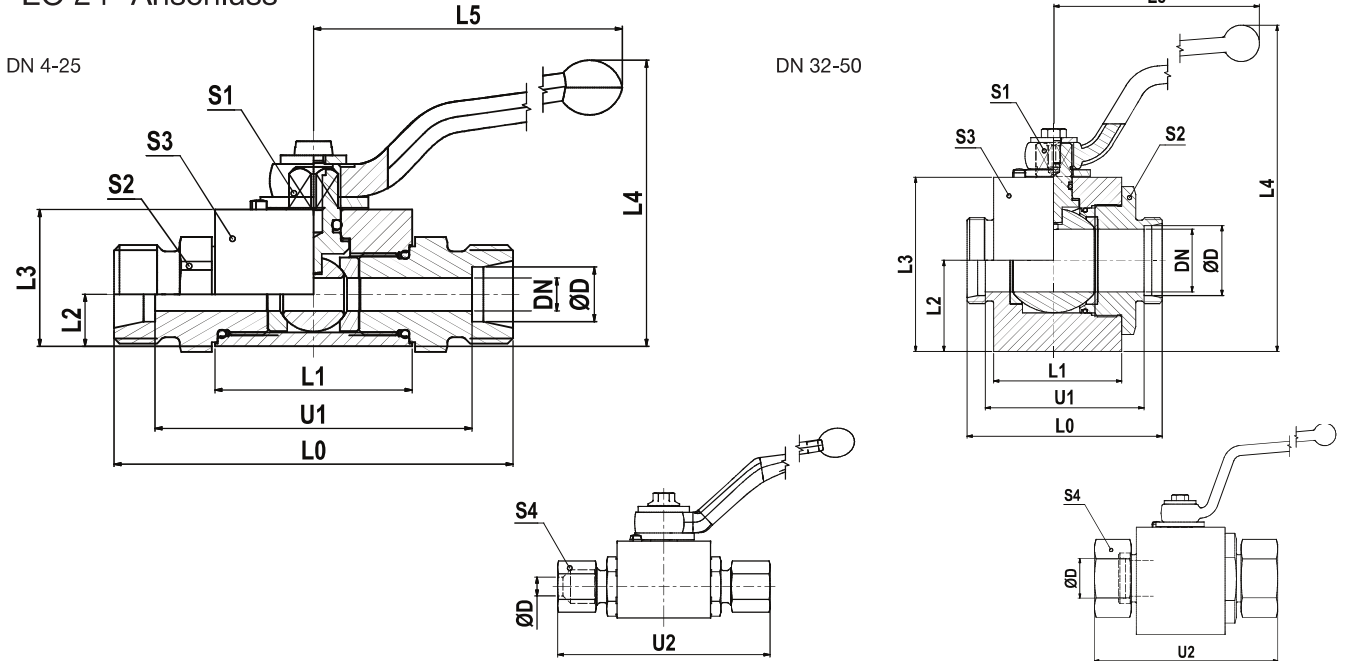


KH 2-Wege Kugelhahn Stahl

EO 24° Anschluss



| Bau-Reihe | D | | | | | | | | | | | | | | | | Gewicht g/1 St. | Bestellzeichen | PN (bar) |
|-----------------|----|-------|------|------|------|-------|-------|-----|-----|-----|----|------|-----|------|----------|--------------|-----------------|----------------|----------|
| | DN | ØD | L0 | L1 | L2 | L3 | L4 | L5 | U1 | U2 | S1 | S2 | S3 | S4 | | | | | |
| L ¹⁾ | 06 | 4 | 67 | 36.0 | 9.5 | 25 | 54.5 | 76 | 53 | 82 | 7 | 19 | 20 | 14 | 195 | KH06LCFX | 500 | | |
| | 08 | 6 | 67 | 36.0 | 9.5 | 25 | 54.5 | 76 | 53 | 82 | 7 | 19 | 20 | 17 | 190 | KH08LCFX | 500 | | |
| | 10 | 8 | 75 | 45.0 | 14.5 | 35 | 67.5 | 100 | 61 | 90 | 8 | 24 | 30 | 19 | 420 | KH10LCFX | 500 | | |
| | 12 | 10 | 75 | 45.0 | 14.5 | 35 | 67.5 | 100 | 61 | 90 | 8 | 24 | 30 | 22 | 410 | KH12LCFX | 500 | | |
| | 15 | 13 | 83 | 51.0 | 17.0 | 40 | 93.0 | 113 | 69 | 99 | 10 | 30 | 35 | 27 | 631 | KH15LCFX | 500 | | |
| | 18 | 16 | 82 | 50.0 | 20.0 | 45 | 98.0 | 113 | 67 | 99 | 10 | 36 | 45 | 32 | 850 | KH18LCFX | 420 | | |
| | 22 | 20 | 99 | 60.0 | 24.0 | 55 | 120.0 | 171 | 84 | 116 | 14 | 41 | 45 | 36 | 1210 | KH22LCFX | 420 | | |
| | 28 | 25 | 108 | 70.0 | 26.0 | 60 | 125.0 | 171 | 93 | 126 | 14 | 50 | 55 | 41 | 1750 | KH28LCFX | 420 | | |
| | 35 | 32/25 | 116 | 70.0 | 26.0 | 60 | 125.0 | 171 | 95 | 138 | 14 | 50 | 55 | 50 | 1820 | KH35LDN25CFX | 420 | | |
| | 35 | 32 | 121 | 79.0 | 48.5 | 94 | 187.0 | 228 | 100 | 143 | 17 | 60 | Ø97 | 50 | 4888 | KH35LCFX | 420 | | |
| | 42 | 40/25 | 121 | 70.0 | 26.0 | 60 | 125.0 | 171 | 99 | 144 | 14 | 55 | 55 | 60 | 1940 | KH42LDN25CFX | 420 | | |
| 42 | 40 | 118 | 77.5 | 53.5 | 104 | 197.0 | 228 | 96 | 141 | 17 | 75 | Ø107 | 60 | 5590 | KH42LCFX | 420 | | | |
| S ²⁾ | 08 | 5 | 73 | 36.0 | 9.5 | 25 | 54.5 | 76 | 59 | 88 | 7 | 19 | 20 | 19 | 214 | KH08SCFX | 500 | | |
| | 10 | 6 | 73 | 36.0 | 9.5 | 25 | 54.5 | 76 | 58 | 90 | 7 | 19 | 20 | 22 | 220 | KH10SCFX | 500 | | |
| | 12 | 8 | 77 | 45.0 | 14.5 | 35 | 67.5 | 100 | 62 | 94 | 8 | 24 | 30 | 24 | 430 | KH12SCFX | 500 | | |
| | 14 | 10 | 81 | 45.0 | 14.5 | 35 | 67.5 | 100 | 65 | 100 | 8 | 24 | 30 | 27 | 440 | KH14SCFX | 500 | | |
| | 16 | 13 | 87 | 51.0 | 17.0 | 40 | 93.0 | 113 | 70 | 106 | 10 | 30 | 35 | 30 | 649 | KH16SCFX | 500 | | |
| | 20 | 16 | 90 | 50.0 | 20.0 | 45 | 98.0 | 113 | 69 | 112 | 10 | 36 | 45 | 36 | 900 | KH20SCFX | 420 | | |
| | 25 | 20 | 107 | 60.0 | 24.0 | 55 | 120.0 | 171 | 83 | 131 | 14 | 41 | 45 | 46 | 1290 | KH25SCFX | 420 | | |
| | 30 | 25 | 120 | 70.0 | 26.0 | 60 | 125.0 | 171 | 93 | 146 | 14 | 50 | 55 | 50 | 1880 | KH30SCFX | 420 | | |
| | 38 | 32/25 | 134 | 70.0 | 26.0 | 60 | 125.0 | 171 | 102 | 163 | 14 | 55 | 55 | 60 | 1950 | KH38SDN25CFX | 420 | | |
| | 38 | 32 | 127 | 73.0 | 48.5 | 94 | 187.0 | 228 | 95 | 156 | 17 | 60 | Ø97 | 60 | 4740 | KH38SCFX | 420 | | |

¹⁾L = Leichte Baureihe; ²⁾S = Schwere Baureihe

$$\frac{PN \text{ (bar)}}{10} = PN \text{ (MPa)}$$

Lieferung ohne Mutter und Schneidring.

| Bestellzeichen-Ergänzungen | | | |
|------------------------------|----------------------------------------|----------|--------------------------------------------------------------------------|
| Material | Kennbuchstaben Oberfläche und Material | Beispiel | Standard-Dichtungswerkstoff (keine zusätzl. Kennbuchstaben erforderlich) |
| Stahl, verzinkt, Cr(VI)-frei | CF | KH06LCFX | POM / NBR |