

Relief, direct acting poppet type

Common cavity, Size 08

VSAN-08A

04.11.48 - X - 56 - Z

RE 18318-01

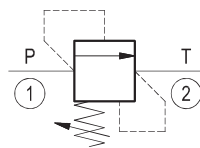
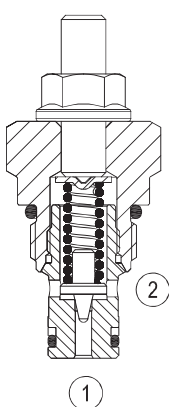
Edition: 01.2019

Replaces: 10.2016



Description

Flow is blocked from 1 to 2 until pressure increases to meet the selected valve setting, lifting the poppet from its seat and allowing relief flow through port 2 to tank. Pressure at port 2 is additive to the relief setting of the valve. The cartridge is especially suited for pilot or thermal relief applications.

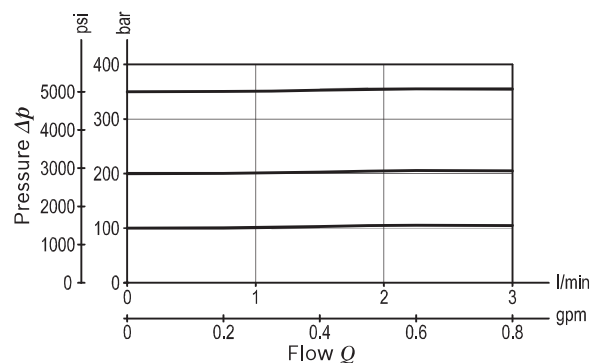


Technical data

Max. operating pressure port 1 (P)	350 bar (5000 psi); for X=03 420 bar (6000 psi)
Max. pressure admitted port 2 (T)	140 bar (2000 psi)
Max. flow	3 l/min (0.8 gpm)
Max. internal leakage ¹⁾	15 drops/min.
Fluid temperature range	-30 to 100 °C (-22 to 212 °F)
Installation torque	34 - 41 Nm (25 - 30 ft-lbs)
Weight ²⁾	0.14 kg (0.31 lbs)
Cavity	CA-08A-2N (see data sheet 18325-70)
Lines bodies and standard assemblies	Please refer to section "Hydraulic integrated circuit" or consult factory
Seal kit ³⁾	Code: RG08A2010520100 material no: R901101437
Fluids	Mineral-based or synthetics with lubricating properties at viscosities of 10 to 500 mm ² /s (cSt)
Recommended degree of fluid contamination	Nominal value max. 10µm (NAS 8) / ISO 4406 20/18/15
Installation position	No restrictions
Other Technical Data	See data sheet 18350-50

- 1) Max. to 80% of nominal setting
- 2) Standard version X=03 type
- 3) Only external seals for 10 valves

Characteristic curve



Ordering code **04.11.48** **X** **56** **Z** **00** *****

04.11.48 **03** **56** **20** **V20**

Relief, direct acting poppet type

Adjustments

03 Leakproof hex. socket screw

04 Handknob and locknut

73 O-Ring seal on adjust screw

56 Common cavity, Size 08

Series 0/A to L
unchanged performances and dimensions

Version and options standard

		SPRINGS		
		Adj. press. range bar (psi)	Pressure increase bar/turn (psi/turn)	Std. setting bar (psi) cracking pressure
for X= 03	10	35-140 (500-2000)	48 (696)	100 (1450)
	20	105-210 (1500-3000)	88 (1276)	200 (2900)
	35	140-420 (2000-6000)	140 (2030)	350 (5000)
for X= 04	35	35-350 (500-5000)	68 (986)	350 (5000)
for X= 73	35	35-350 (500-5000)	68 (986)	350 (5000)

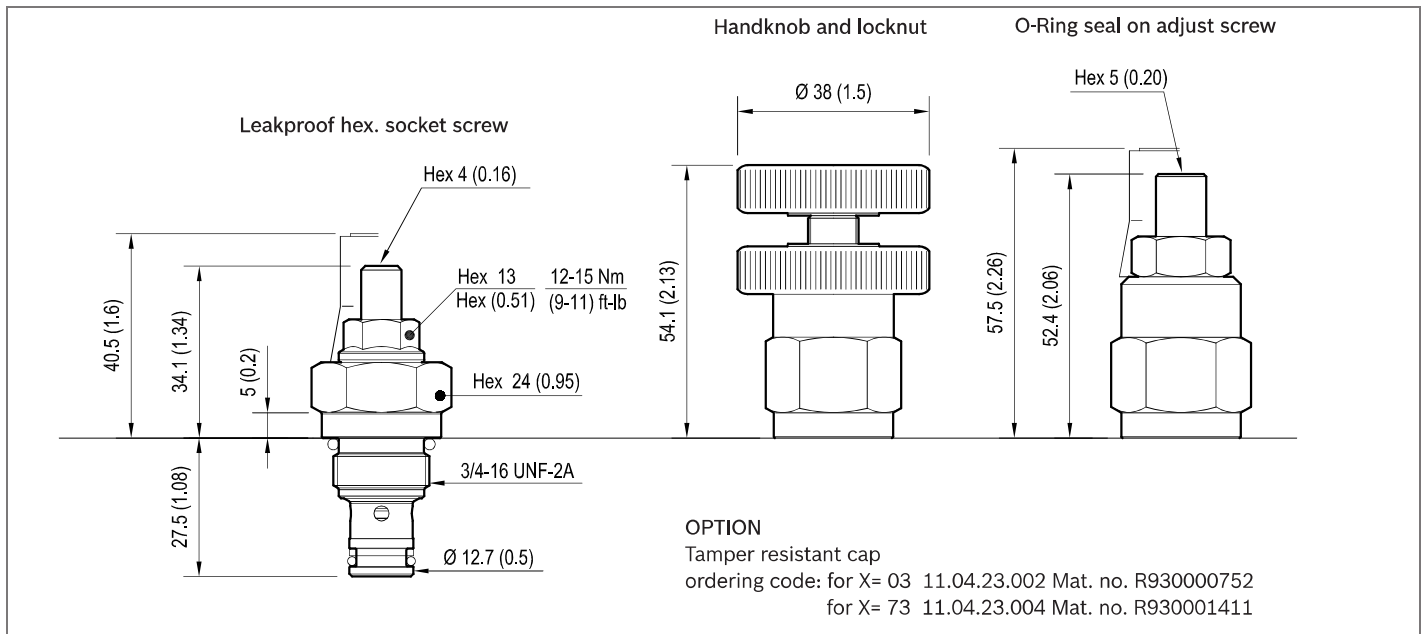
Note: Special settings available. Contact factory authorized representative for ordering code

Preferred types

Type	Material number
041148035610000	R901104094
041148035620000	R901104097
041148035635000	R901104099
041148045635000	R901104100

Type	Material number
041148735635000	R901161970

Dimensions



Bosch Rexroth Oil Control S.p.A.

Via Leonardo da Vinci 5
P.O. Box no. 5
41015 Nonantola – Modena, Italy
Tel. +39 059 887 611
Fax +39 059 547 848
compact-hydraulics-cv@boschrexroth.com
www.boschrexroth.com/compacthydraulics

© This document, as well as the data, specifications and other information set forth in it, are the exclusive property of Bosch Rexroth Oil Control S.p.a.. It may not be reproduced or given to third parties without its consent. The data specified above only serve to describe the product. No statements concerning a certain condition or suitability for a certain application can be derived from our information. The information given does not release the user from the obligation of own judgment and verification. It must be remembered that our products are subject to a natural process of wear and aging. Subject to change.