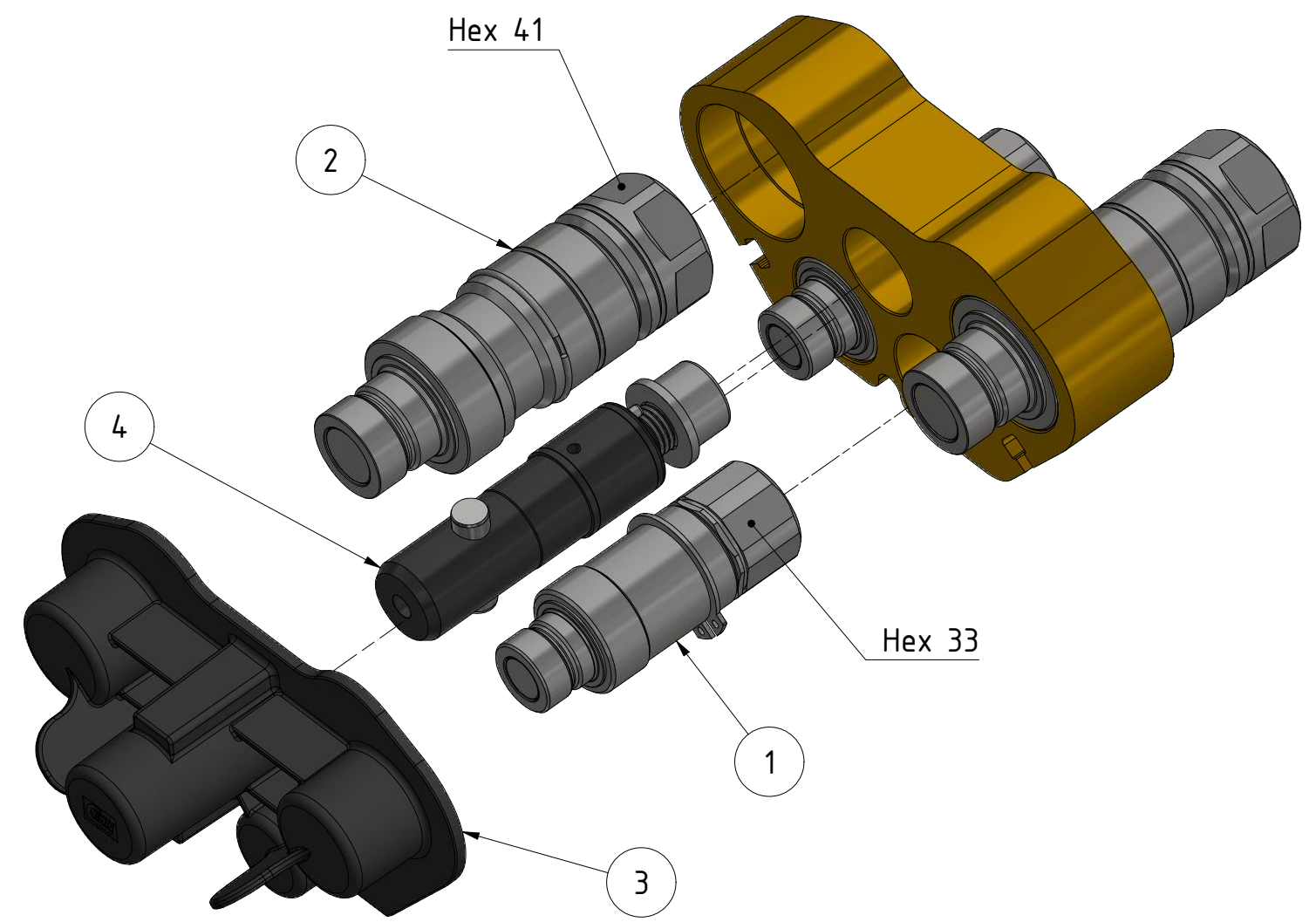
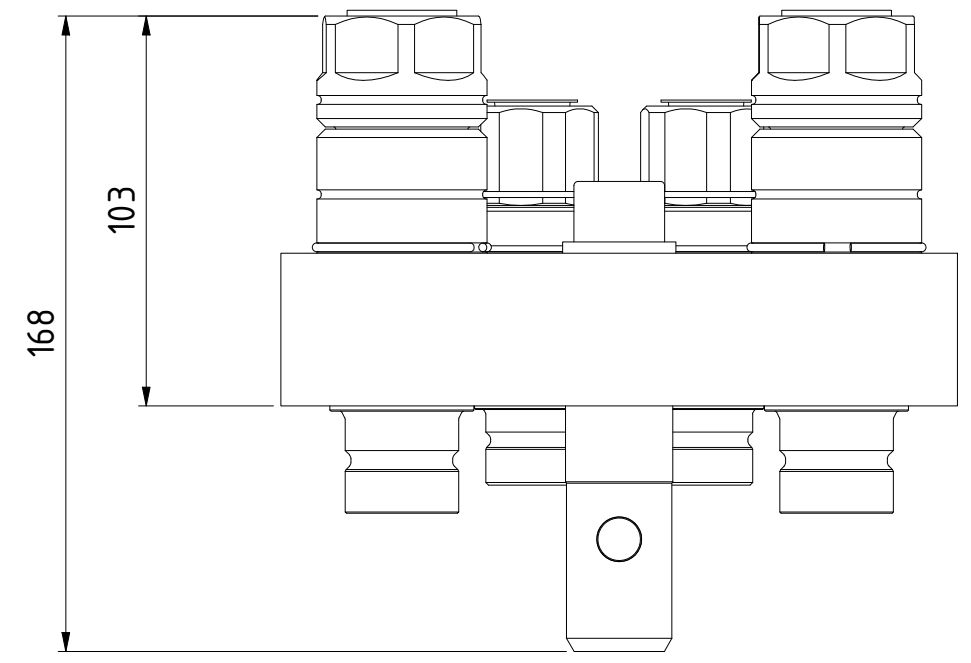
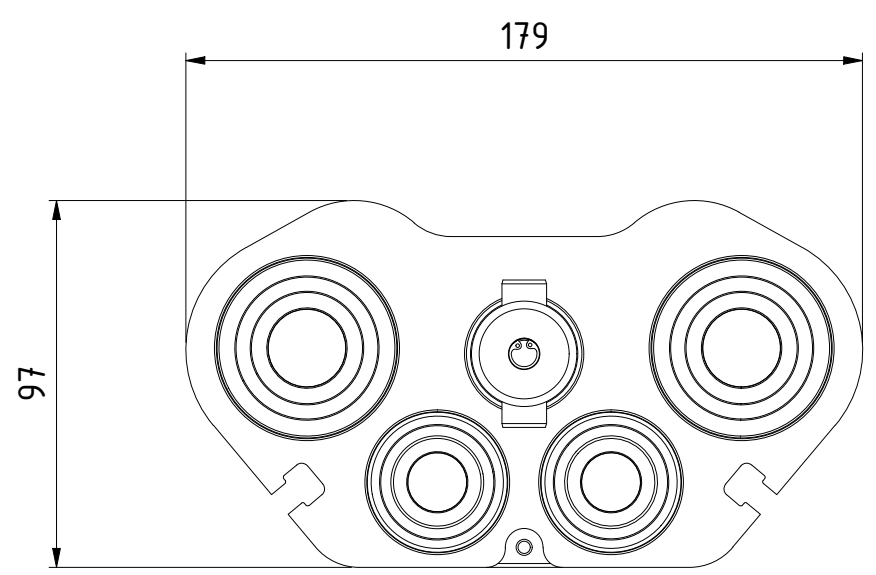


This document must not be copied, either completely or in part, without permission. Any infringement will have legal consequences ©



Product No.	109325250
Nominal flow \varnothing DN:	12,5/19 mm
Connection Stroke:	
Max WP Connected:	350 bar
Max WP Disconnected:	350 bar
Min BP Connected:	1200 bar
Min BP Disconnected:	1200 bar
Temperature range:	-30°C - 100°C
Connection:	BSP 1/2" and 3/4" Fem.
Sealing material:	NBR/PUR
Hexagon:	

Item	Qty	Description	Material	Part Number
4	1	Center bolt kit		109324954
3	1	Dust Cap		109321055
2	2	Nipple kit DN19		107646908
1	2	Nipple Kit DN12.5		105646908

	Scale	1 : 2	Drawn	EP	Checked	JoEr	Appr.	PMB	ECO	12400	Date	2019-02-28	
	Drawing No. 509325250										Issue	AC	Sheet

A3