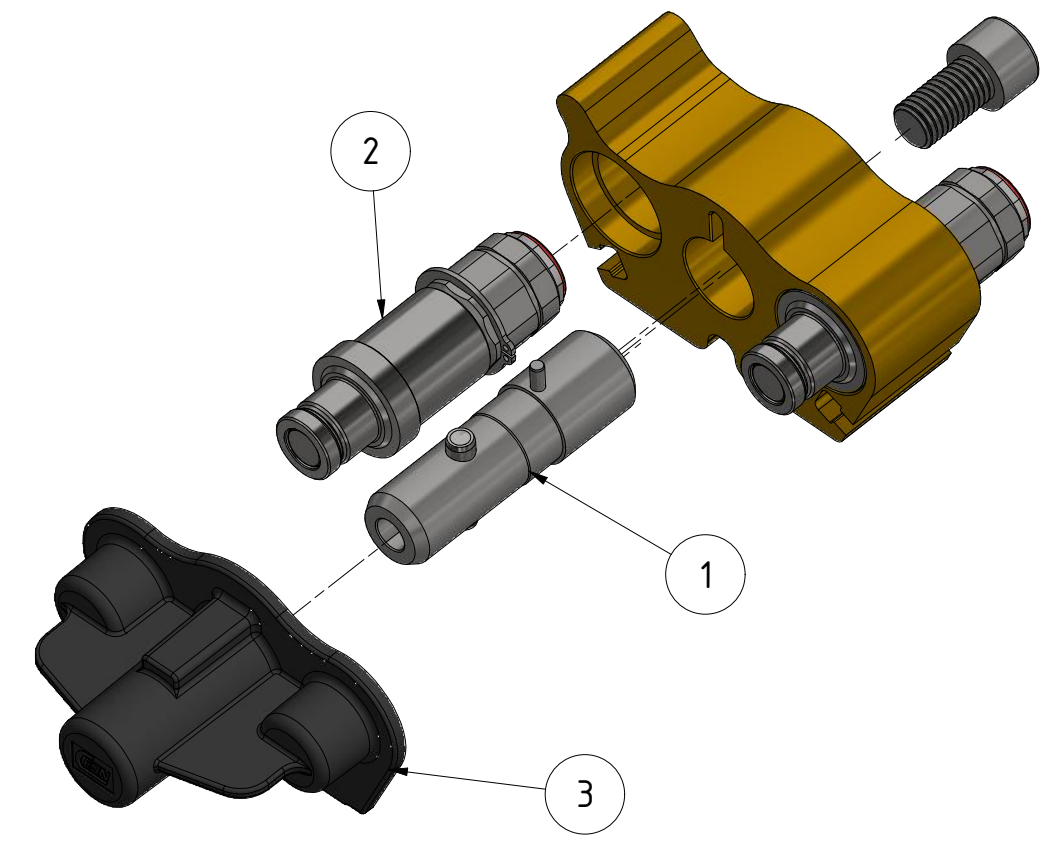
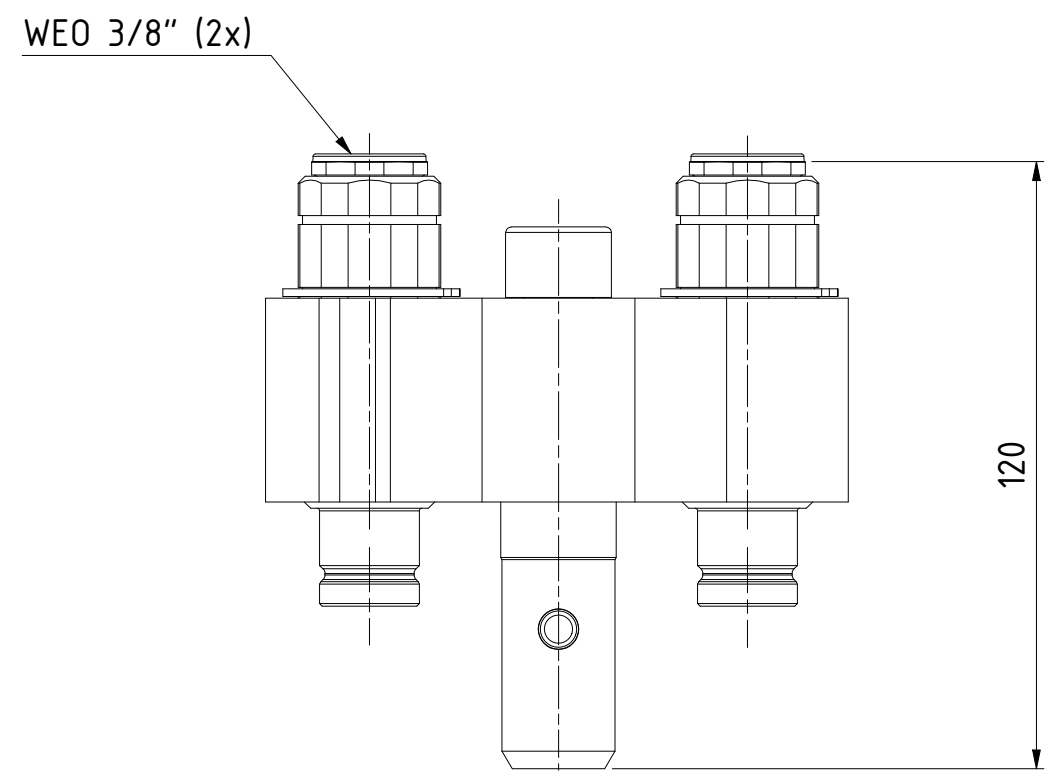
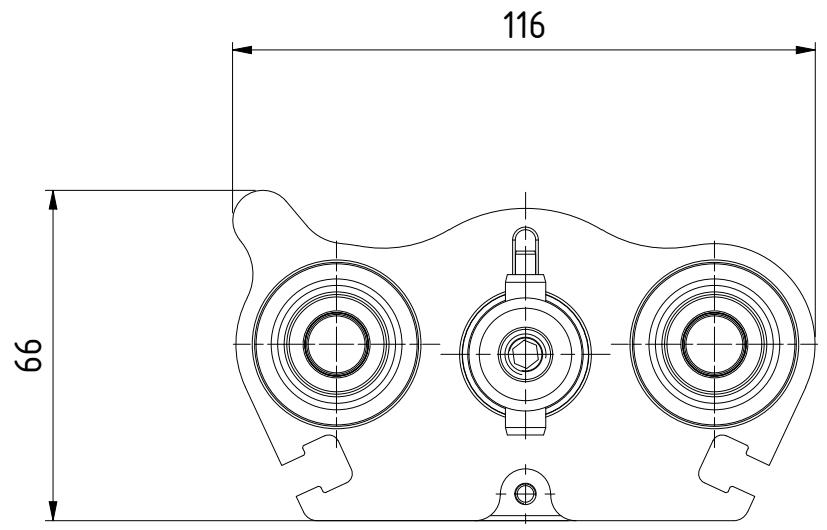


This document must not be copied, either completely or in part, without permission. Any infringement will have legal consequences ©



|                                |                 |
|--------------------------------|-----------------|
| Product No. 109322150          |                 |
| Nominal flow $\varnothing$ DN: | 10 mm           |
| Connection Stroke:             | mm              |
| Max WP Connected:              | 350 bar         |
| Max WP Disconnected:           | 350 bar         |
| Min BP Connected:              | 1200 bar        |
| Min BP Disconnected:           | 1200 bar        |
| Temperature range:             | -30°C - 100°C   |
| Connection:                    | WEO 3/8" (DN10) |
| Sealing material:              | NBR             |
| Hexagon:                       |                 |

| Item | Qty | Description     | Material | Part Number |
|------|-----|-----------------|----------|-------------|
| 3    | 1   | Dust Cap        |          | 109321050   |
| 2    | 2   | Nipple Kit DN10 |          | 103646909   |
| 1    | 1   | Center Bolt Kit |          | 109324962   |

|  |                            |       |       |    |         |      |       |     |     |       |       |            |       |
|--|----------------------------|-------|-------|----|---------|------|-------|-----|-----|-------|-------|------------|-------|
|  | Scale                      | 2 : 3 | Drawn | EP | Checked | JoEr | Appr. | PMB | ECO | 12493 | Date  | 2019-06-24 |       |
|  | Assembly Drawing 509322150 |       |       |    |         |      |       |     |     |       | Issue | AA         | Sheet |

A3