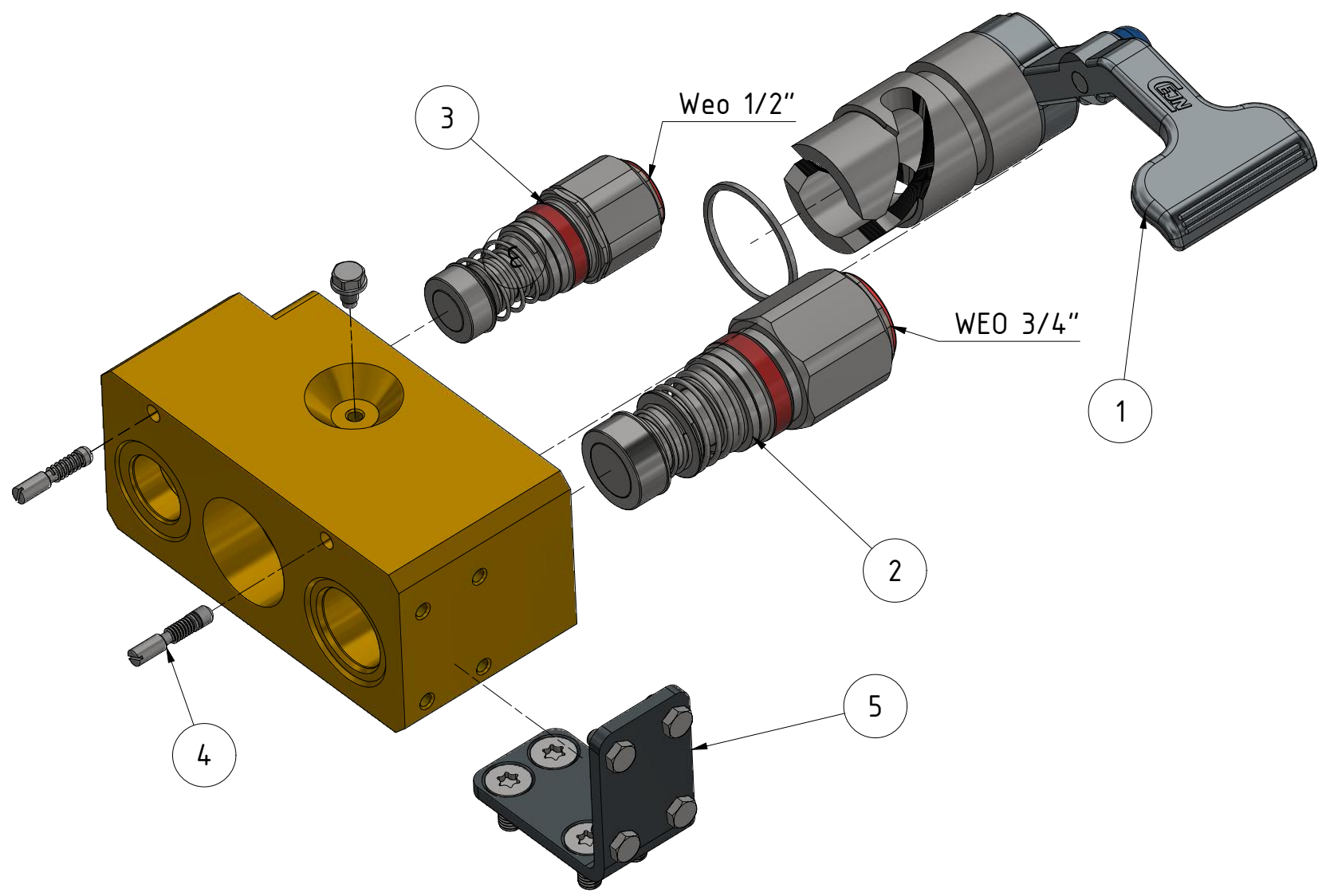
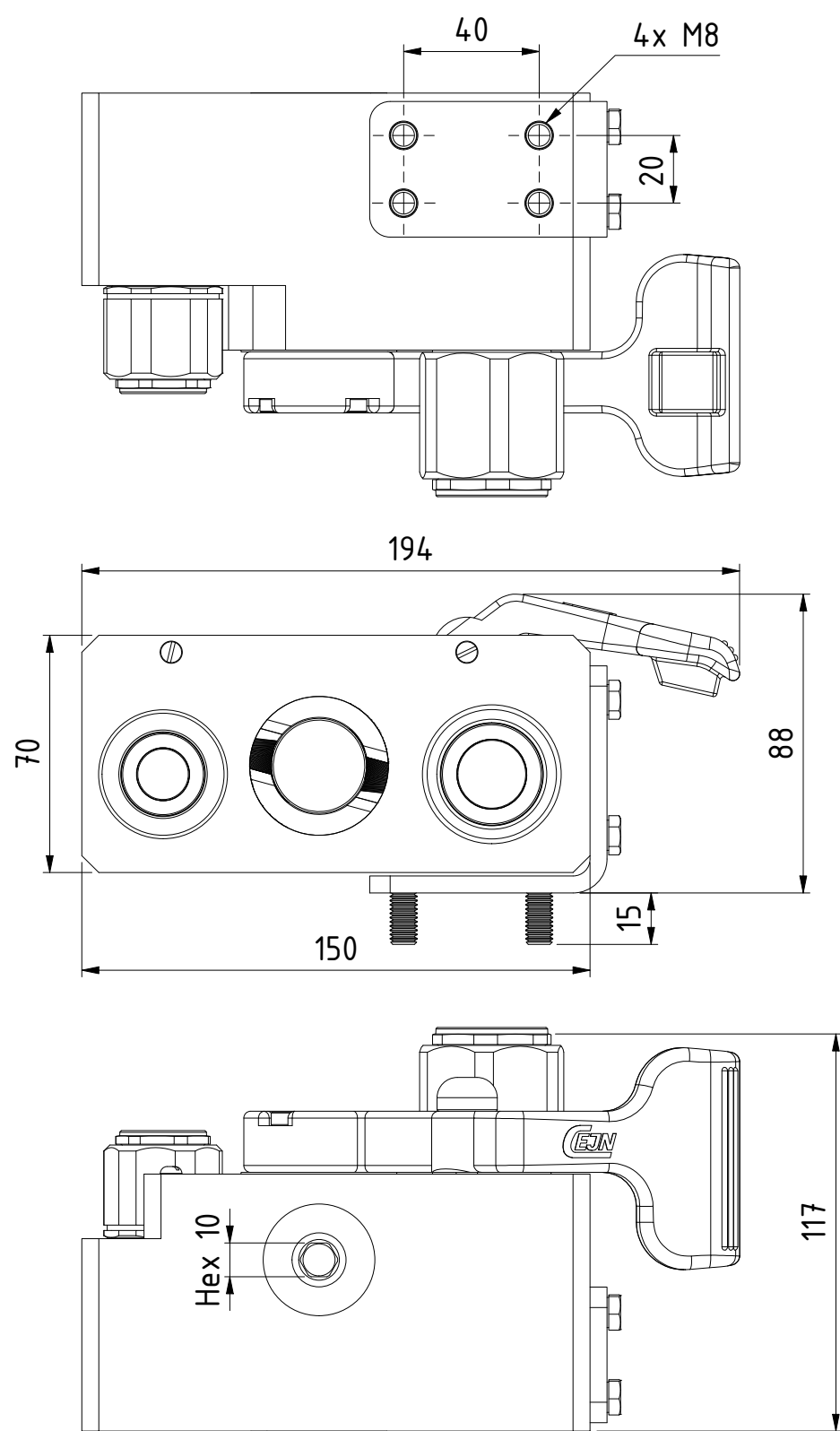


This document must not be copied, either completely or in part, without permission. Any infringement will have legal consequences ©



Product No. 109326100	
Nominal flow $\varnothing$ DN:	mm
Connection Stroke:	mm
Max WP Connected:	350 bar
Max WP Disconnected:	350 bar
Min BP Connected:	1200 bar
Min BP Disconnected:	1200 bar
Temperature range:	-30°C - +100°C
Connection:	WEO 1/2", WEO 3/4"
Sealing material:	NBR
Hexagon:	

Item	Qty	Description	Material	Part Number
5	1	Mounting Bracket	Steel	109324959
4	1	Lock in house Kit		109324992
3	1	Coupling DN12.5 - WEO DN12.5		105651909
2	1	Coupling DN19 - WEO 3/4" (DN20)		107651908
1	1	Lever assembly		109324952

Scale	1 : 2	Drawn	CABJOER	Checked	JOJ	Appr.	PMB	ECO	000579	Date	2020-03-31		
<b>Assembly Drawing 509326100</b>										Issue	AA	Sheet	1 / (1 )

A3