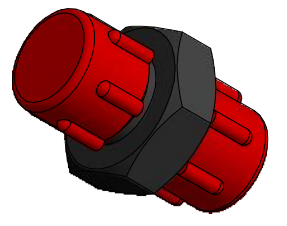
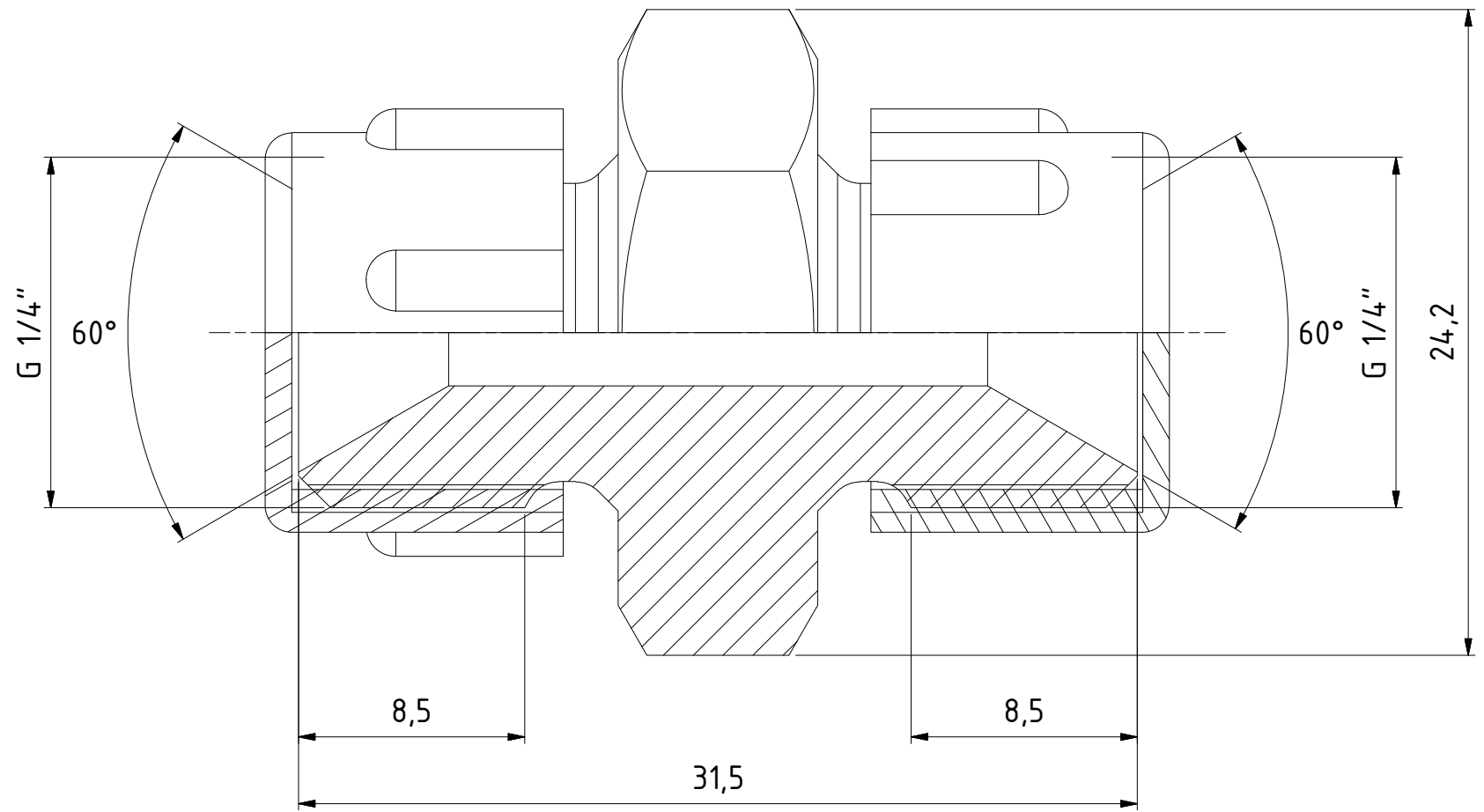


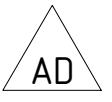
This document must not be copied, either completely or in part, without permission. Any infringement will have legal consequences ©



1 : 1



Product No. 199501622	
Nominal flow \varnothing DN:	4.0 mm
Max WP Connected:	3000 bar
Min BP Connected:	5000 bar
Temperature range:	-°C - °C
Connection 1:	See drawing
Connection 2:	See drawing
Connection 3:	
Connection 4:	
Hexagon:	21
Recommended torque:	40-50 Nm



2	2	Thread protection	Plastic
1	1	Adaptor	Steel, Zn-Fe 8 black
Item	Qty	Description	Material

	Scale	Drawn	Checked	Appr.	ECO	Date	
	4 : 1	CABANLA	EP07	JW	11923	2018-01-11	
Assembly Drawing 509501622					Drawing No.	Issue	Sheet
					AD	1 / (1)	

