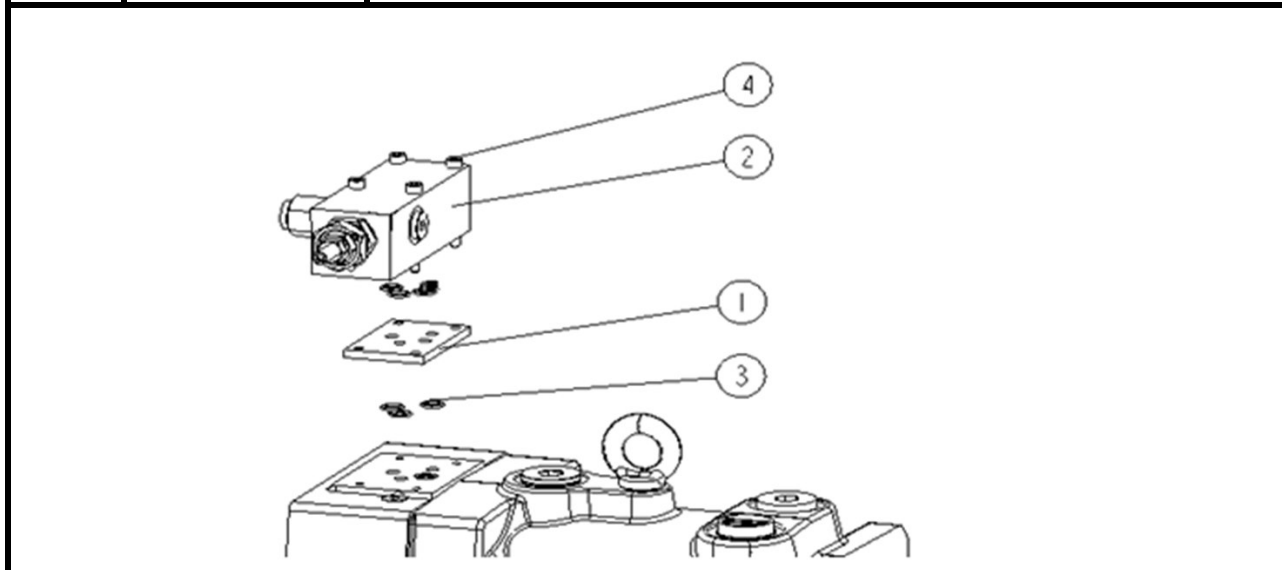


RK-Load-Sensing Regler FC, F1, FP / RK-Load-sensing control FC, F1, FP	
RK-PVC F A C E FC F1 FP N V	Reparatursatz PVplus-Regler / Repair kit PVplus-control Förderstrom-Regler, Load-Sensing / flow control, load-sensing PV016 - PV046 PV063 - PV092 PV140 - PV270 Load-Sensing-Regler, Standard / Load-sensing-control, standard Load-Sensing-Regler, NG6 Lochbild / Load-sensing-control, NG6 interface Load-Sensing-Regler mit Pilotventil, Load-sensing-control with pilot valve NBR FKM 1 Gewinde / Thread: metrisch/metric ; Anschlüsse: BSPP / Ports: BSPP 3 Gewinde / Thread: metr./metric ; ISO 6149-Anschl BSPP /ISO 6149 ports: BSPP 7 Gewinde / Thread: UNC ; ISO 6149-Anschlüsse UNF / ISO 6149 ports: UNF 8 Gewinde / Thread: UNC ; Anschlüsse: UNF / Ports: UNF enthält / includes:



Pos.	Stk	Code	Beschreibung / Description	code old	Bemerkung/Remark
1	1		Adapterplatte / Adapter plate		
2	1	PVCMAFB**	Standarddruckregler / Standard press. control	FFC	PV016-PV046
2	1	PVCMCFB**	Standarddruckregler / Standard press. control		PV063-PV092
2	1	PVCMEFB**	Standarddruckregler / Standard press. control		PV140-PV270
		PVCM AFC**	Druckregler mit Pilotventil / press. control with pilot valve	FFP	PV016-PV046
		PVCM CFC**	Druckregler mit Pilotventil / press. control with pilot valve		PV063-PV092
		PVCM EFC**	Druckregler mit Pilotventil / press. control with pilot valve		PV140-PV270
2	1	PVCM AFZ**	Standarddruckregler / Standard press. control	FF1,FFZ	PV016-PV046
2	1	PVCM CFZ**	Standarddruckregler / Standard press. control		PV063-PV092
2	1	PVCM EFZ**	Standarddruckregler / Standard press. control		PV140-PV270
3	4		O-Ring 2-012-N552-90; 9,25 x 1,78	N	NBR
3	4		O-Ring 2-012-V709-90; 9,25 x 1,78	V	FKM
4	4		Zylinderschraube / hex. head cap screw M 5 x 55 DIN 912, 12.9, SW 4	FFP,FFC	Gew. 1, 8 metr.
4	4		Zylinderschraube / hex. head cap screw Nr. 10-24 UNC x 2 1/4"		Gew. 3, 7 UNC
4	2		Zylinderschraube / hex. head cap screw M 5 x 50 DIN 912, 12.9, SW 4	FF1,FFZ	Gew. 1, 8 metr.
4	2		Zylinderschraube / hex. head cap screw Nr. 10-24 UNC x 2"		Gew. 3, 7 UNC

* * Gewinde / Thread 1,,8, 3, 7
 Dichtung / Seal N, V