



Visit our homepage
for additional support
parker.com/pmde

Bulletin MSG30-5513-M1/UK

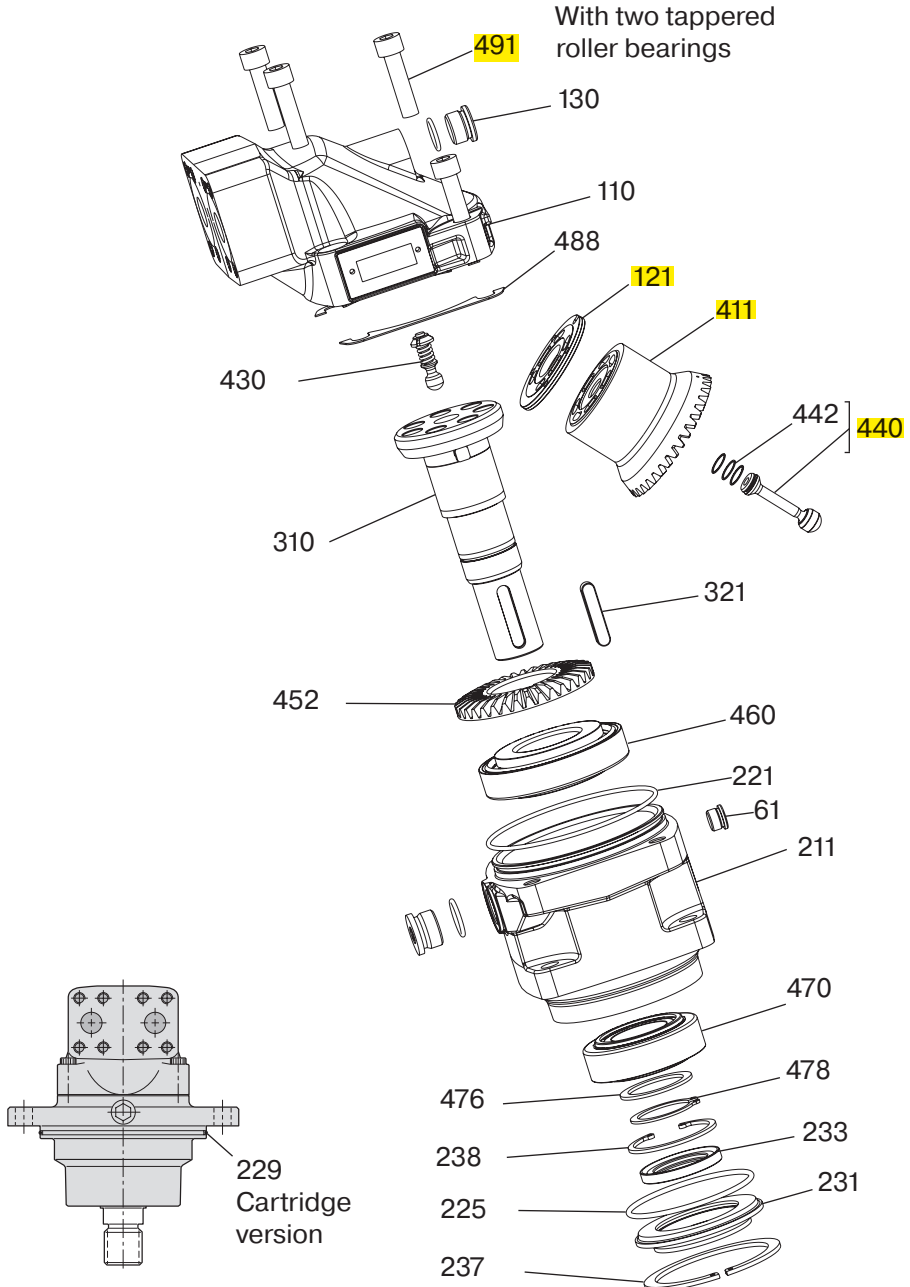
Spare Parts Series F12

Effective: May 01, 2021

Supersedes: December, 2020



ENGINEERING YOUR SUCCESS.



F12-080 all types from serial no. 1998491161 and up.

Pos	Part No	Description	Qty	Remarks
Housing parts				
61		Hex Socket Plug M12*1	1	VSTI12X1EDVITCF
110	3780658	Barrel Housing Assy Type F	1	
110	3780660	Barrel Housing Assy Type S	1	
130		Hex Socket Plug S housing	1	10 HP50N-S
130		Hex Socket Plug F housing	1	VSTI22X1.5EDVITCF
211	3780327	Bearing Housing Type C	1	Require item 61
211	3780813	Bearing Housing Type I	1	Require item 61
211	3780812	Bearing Housing Type S	1	Require item 61
231	3796200	Seal Carrier	1	
Rotating parts				
310	3780671	Shaft type C	1	
310	3780673	Shaft type D	1	
310	3780667	Shaft type K	1	Require flat key
310	3780669	Shaft type S	1	
310	3780675	Shaft type T	1	Require flat key
310	3780677	Shaft type U	1	
321	948125	Flat Key for K shaft	1	
321	3709687	Flat Key for T shaft	1	
430	3709840	Barrel Support	1	
452	3787847	Ring Gear	1	

Seal kit contain:

O-rings pos: 221, 225, 229

Shaft seal pos: 233

Retaining rings pos: 237, 238

For other parts please contact Parker Hannifin**Seal kits**

3793499 Sealing kit type V FPM

3785136 Sealing kit type N NBR

Repair Spare part Kit

3787800 Type M (Motor)

3723983 Type L (CCW pump)

3723984 Type R (CW pump)**Bearing spare part kit**

3723974 Bearing kit

Shim kit

3721333 Shims kit

Repair spare part kit contain:

Valve plate pos: 121

Cylinder Barrel pos: 411

Pistons pos: 440 (7 pcs)

Hex Screws pos: 491 (4 pcs)

Bearing spare part kit contain:

Tap Rol Bearing pos: 460, 470

Spacer pos: 476

Retaining rings pos: 478

Shim kit contain:

Shims pos: 488

(1 pcs on each side)