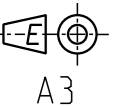
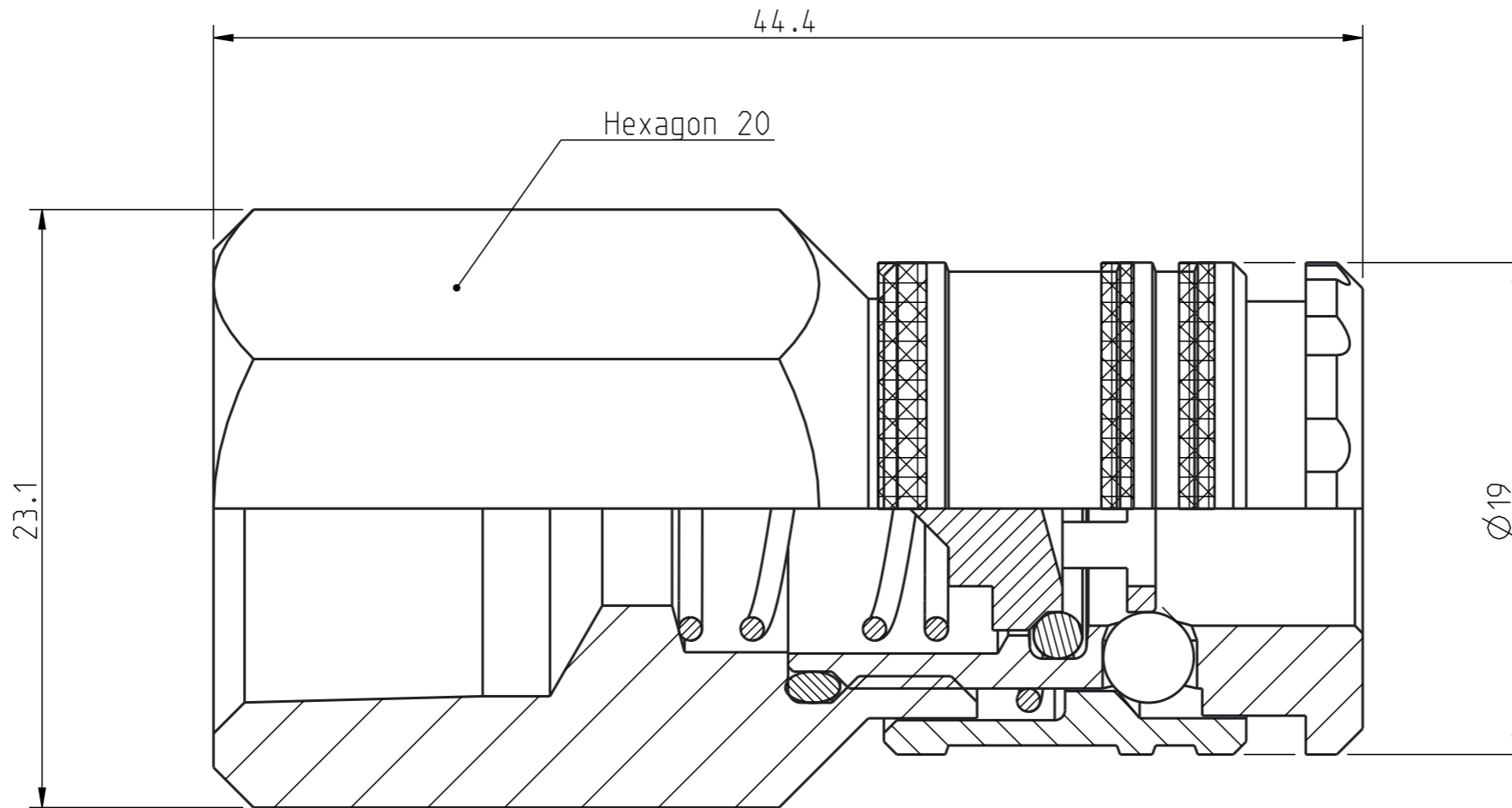


Diese Zeichnung darf weder ganz noch teilweise ohne unsere ausdrückliche Genehmigung kopiert oder auf andere Weise vervielfältigt werden. Alle Rechte vorbehalten.

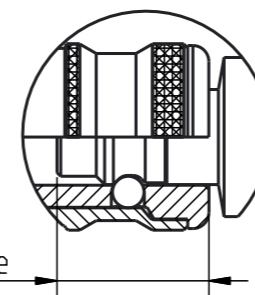
Denna handling får ej utan vårt medgivande delges annan, kopieras eller eljest obehörigen användas. Överlåtelse härvid beivras med stöd av gällande lag. This document must not be copied, either completely or in part, without permission. Any infringement will have legal consequences.



A3



1:1



Connection stroke

Product no: 10_220_1404

DN: 5 mm
 Connection stroke: 13 mm
 Max WP connected: 35 bar
 Min BP connected: 140 bar
 Temperature range: +100 °C - -30 °C
 Connection: 3/8" NPT Fem
 Sealing material: NBR

| 9 | 1 | Valve | Brass |
|-------------|--------------|-----------------------|-------------------|
| 8 | 1 | Spring | Stainless steel |
| 7 | 1 | Spring | Stainless steel |
| 6 | 1 | O-ring | NBR |
| 5 | 1 | O-ring | NBR |
| 4 | 1 | Locking sleeve | Brass, CuNi5b |
| 3 | 1 | Front part | Brass, CuNi5b |
| 2 | 3 | Ball | Stainless steel |
| 1 | 1 | Back part | Brass, CuNi5b |
| Detalj Item | Antal Quant. | Benämning Description | Material Material |



| | | | | | | | | | | | |
|------------------|-----|-------------------------|--------|----------------|---|-------------|---|-----------------|---|-----------|----------|
| Skala Scale | 4:1 | Ritad Drawn | CABLHE | Kontr. Checked | - | Godk. Appr. | - | Äm nr. Alt. no. | - | Dat. Date | 13-06-04 |
| Assembly drawing | | Ritning nr./Drawing No. | | 50_220_1404 | | Utg./Issue | | AA | | | |