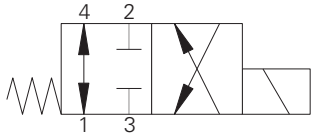


SV4-10-4/4M/4R - Solenoid valve

Spool type, 4-way, 2-position
23 L/min (6 USgpm) • 210 bar (3000 psi)

A



Operation

In the de-energized position flow is allowed from port 1 to port 4. Port 2 - port 3 is blocked.

In the energized position flow is allowed from port 1 to port 2, and from port 3 to port 4.

Performance data

Ratings and specifications

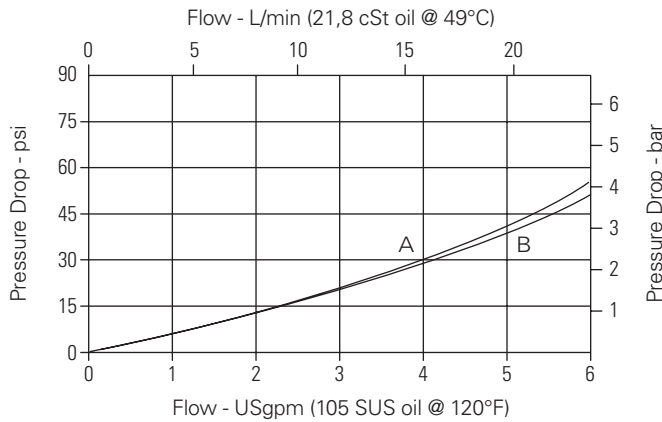
Performance data is typical with fluid at 21,8 cSt (105 SUS) and 49° C (120° F)

Typical application pressure (all ports)	210 bar (3000 psi)
Rated flow	23 L/min (6 USgpm)
Internal leakage	164 cm ³ /min (10 in ³ /min) max @ 210 bar (3000 psi)
Temperature range	-40° to 120°C (-40° to 248°F)
Cavity	C-10-4
Weight including coil	0,44 kg (0.96 lbs)
Fluids	All general purpose hydraulic fluids such as: MIL-H-5606, SAE 10, SAE 20 etc.
Filtration	Cleanliness code 18/16/13
Seal kit	889625 (Buna-N), 566080 (Viton®)

Viton is a registered trademark of E.I. DuPont

Pressure drop

Cartridge only



A - Port 3 to port 4

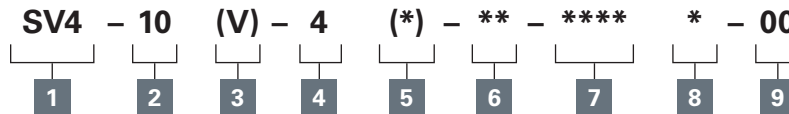
B - Port 1 to port 2

Where measurements are critical request certified drawings. We reserve the right to change specifications without notice.

SV4-10-4/4M/4R - Solenoid valve

Spool type, 4-way, 2-position
23 L/min (6 USgpm) • 210 bar (3000 psi)

Model code



A

1 Function

SV4 - Solenoid valve

2 Size

10 - 10 size

3 Seal material

Blank - Buna-N

V - Viton®

4 Style

4 - 4-way, 2-position

5 Manual override option

Blank - No manual override

M - Knob type

R - Cable type

For valve dimensions with Manual override option installed see page A-980.

6 Port size

Code	Port size	Housing number
0	Cartridge only	
3B	3/8" BSPP	02-179705*
6T	SAE 6	566161*
2G	1/4" BSPP	876709
3G	3/8" BSPP	876715
6H	SAE 6	876708
8H	SAE 8	876713

*Light duty housing
See section J for housing details.

7 Voltage rating

00 - No coil

12D - 12VDC

24D - 24VDC

115A - 115VAC

230A - 230VAC

12B - 12VDC/w diode*

24B - 24VDC/w diode*

*Optional arc suppression diode.

8 Connector types

Blank - No coil

G - ISO 4400 DIN 43650

W - Flying lead

N - Deutsch (DC only)

Y - Amp JR (DC only)

D - Metripack 150 male (DC only)

J - Metripack 280 male (DC only)

E - Weather-Pack female

F - Weather-Pack male

For coil part numbers and dimensions see section C.

9 Special features

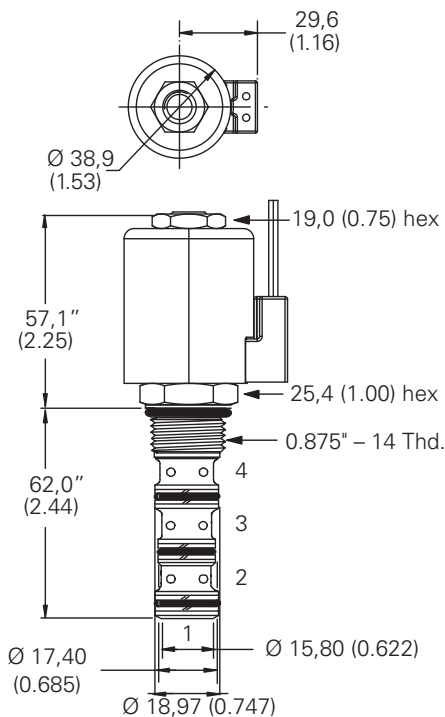
00 - None

(Only required if valve has Special features omitted if "00".)

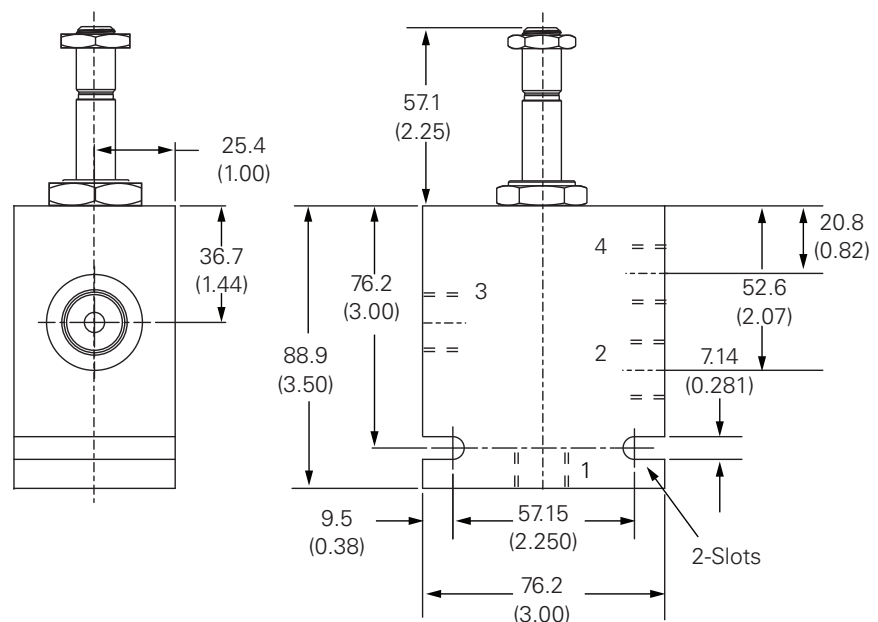
Note: Use J series 23, W coils with this solenoid valve.

Dimensions - mm (inch)

Cartridge only



Installation drawing

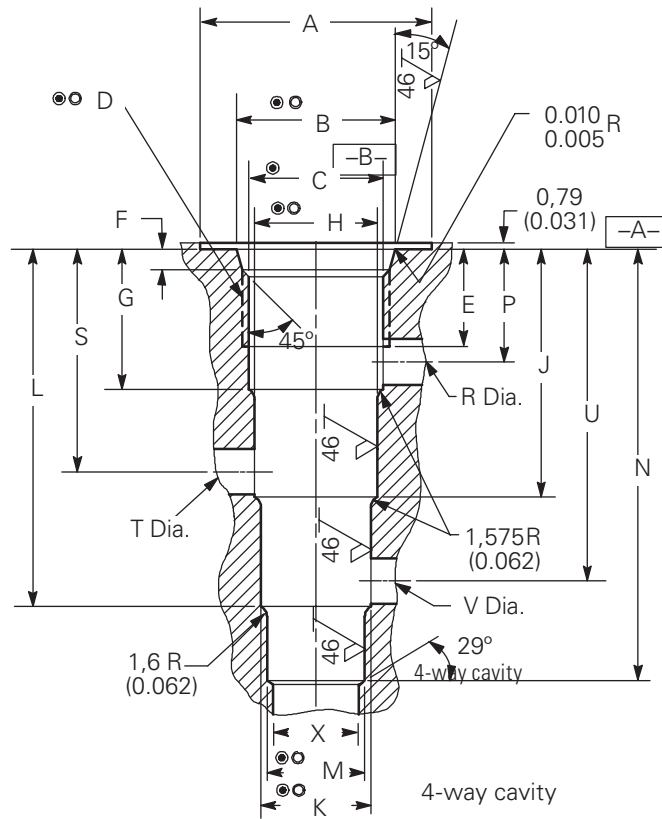


Where measurements are critical request certified drawings. We reserve the right to change specifications without notice.

C-**-4 Cavity dimensions

Dimensions

mm (inch)



⊙ These diameters

∇ 0,051mm (.002 inch) B
unless otherwise specified

⊙ These diameters

\perp 0,025mm (.001 inch) A
unless otherwise specified

Cavity	A	B	C	D	E	F	G	H	J	K
mm (inch)	Spotface	±0,051 (±0.002)	±0,051 (±0.002)	Thread	Full thread			±0,0254 (±0.001)		±0,0254 (±0.001)
C-8-4	30,16 (1.188)	20,65 (0.813)	17,47 (0.688)	0.750"—16	12,70 (0.500)	2,54-2,92 (0.100-0.115)	18,24 (0.718)	15,90 (0.626)	32,26 (1.270)	14,30 (0.563)
C-10-4	30,16 (1.188)	24,00 (0.945)	20,62 (0.812)	0.875"—14	15,88 (0.625)	2,54-2,92 (0.100-0.115)	22,22 (0.875)	19,08 (0.751)	38,10 (1.500)	17,50 (0.689)
C-12-4	38,10 (1.500)	29,15 (1.148)	24,76 (0.975)	1.062"—12	22,22 (0.875)	3,30-3,68 (0.130-0.145)	34,92 (1.375)	23,82 (0.938)	57,78 (2.275)	22,25 (0.876)
C-16-4	44,45 (1.750)	35,58 (1.401)	31,34 (1.234)	1.312"—12	22,22 (0.875)	3,30-3,68 (0.130-0.145)	34,14 (1.344)	28,62 (1.127)	62,71 (2.469)	27,02 (1.064)
C-20-4	57,66 (2.270)	43,59 (1.716)	39,12 (1.540)	1.625"—12	20,64 (0.812)	3,35-3,73 (0.132-0.147)	44,45 (1.750)	36,55 (1.439)	85,72 (3.375)	33,38 (1.314)

Cavity	L	M	N	P	R	S	T	U	V	X
mm (inch)		±0,0254 (±0.001)			Max. Dia.		Max. Dia.			Max. Dia.
C-8-4	46,48 (1.830)	12,72 (0.501)	56,13 (2.210)	14,68 (0.578)	5,94 (0.234)	28,98 (1.141)	5,94 (0.234)	43,25 (1.703)	5,94 (0.234)	11,13 (0.438)
C-10-4	53,98 (2.125)	15,90 (0.626)	63,50 (2.500)	18,26 (0.718)	6,35 (0.250)	34,13 (1.343)	6,35 (0.250)	50,00 (1.968)	6,35 (0.250)	14,29 (0.562)
C-12-4	80,64 (3.175)	20,65 (0.813)	92,07 (3.625)	27,94 (1.100)	12,70 (0.500)	50,80 (2.000)	12,70 (0.500)	73,66 (2.900)	12,70 (0.500)	19,05 (0.750)
C-16-4	91,29 (3.594)	25,45 (1.002)	103,99 (4.094)	24,60 (0.968)	15,88 (0.625)	53,16 (2.093)	15,88 (0.625)	81,76 (3.218)	15,88 (0.625)	19,05 (0.750)
C-20-4	127,00 (5.000)	31,78 (1.251)	141,27 (5.562)	30,96 (1.218)	25,40 (1.000)	71,44 (2.812)	25,40 (1.000)	112,71 (4.437)	25,40 (1.000)	30,16 (1.188)

Where measurements are critical request certified drawings. We reserve the right to change specifications without notice.