



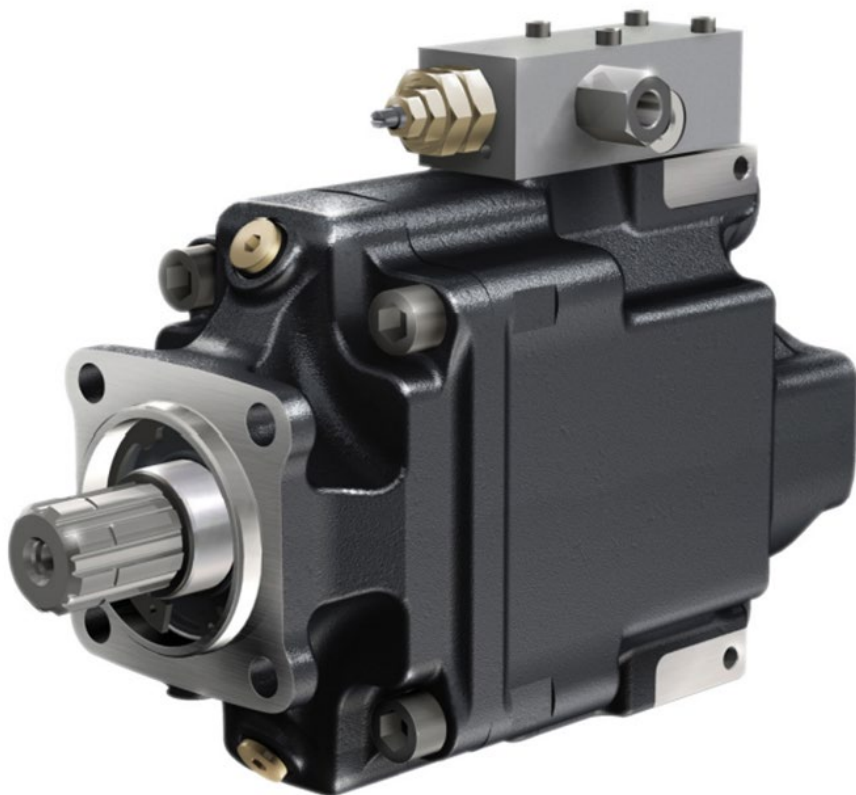
Visit our homepage  
for additional support  
[parker.com/pmde](http://parker.com/pmde)

Bulletin MSG30-5517-M1/UK

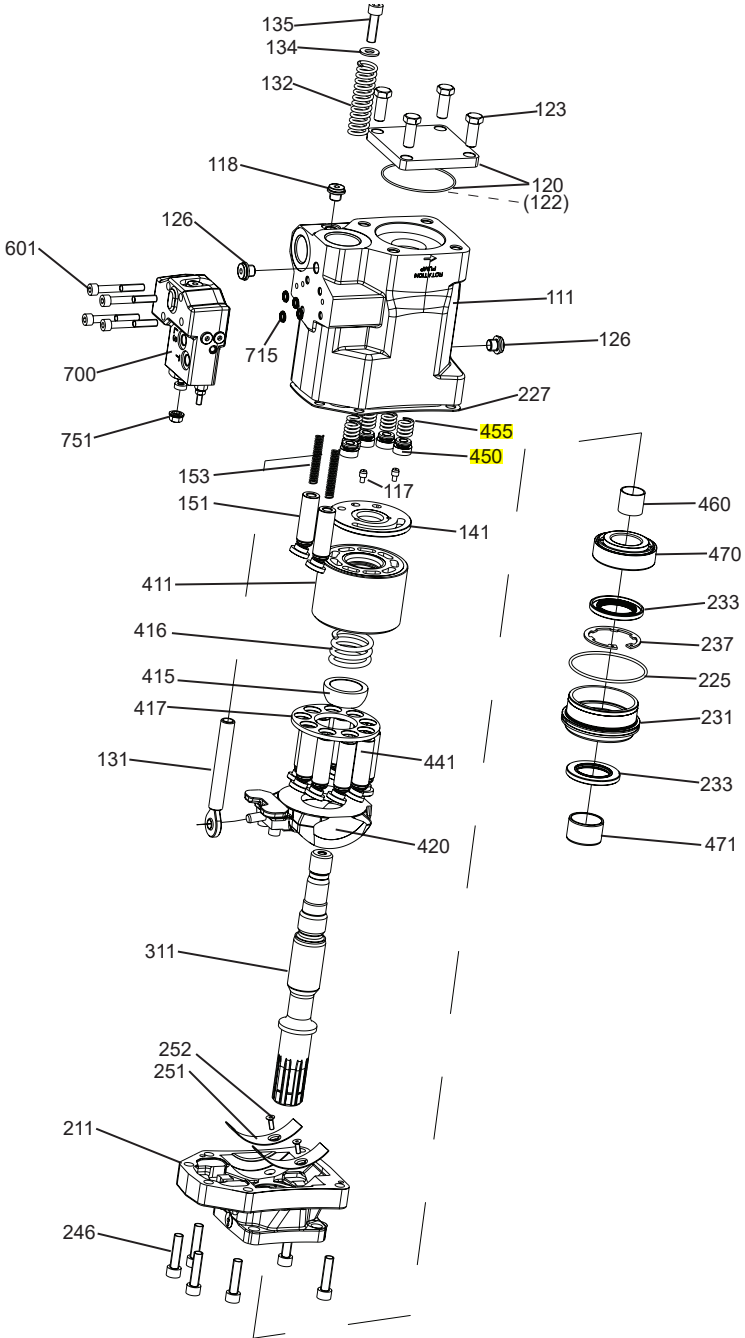
## Spare Parts Series VP1

---

Effective: July 01, 2021  
Supersedes: April, 2020



ENGINEERING YOUR SUCCESS.

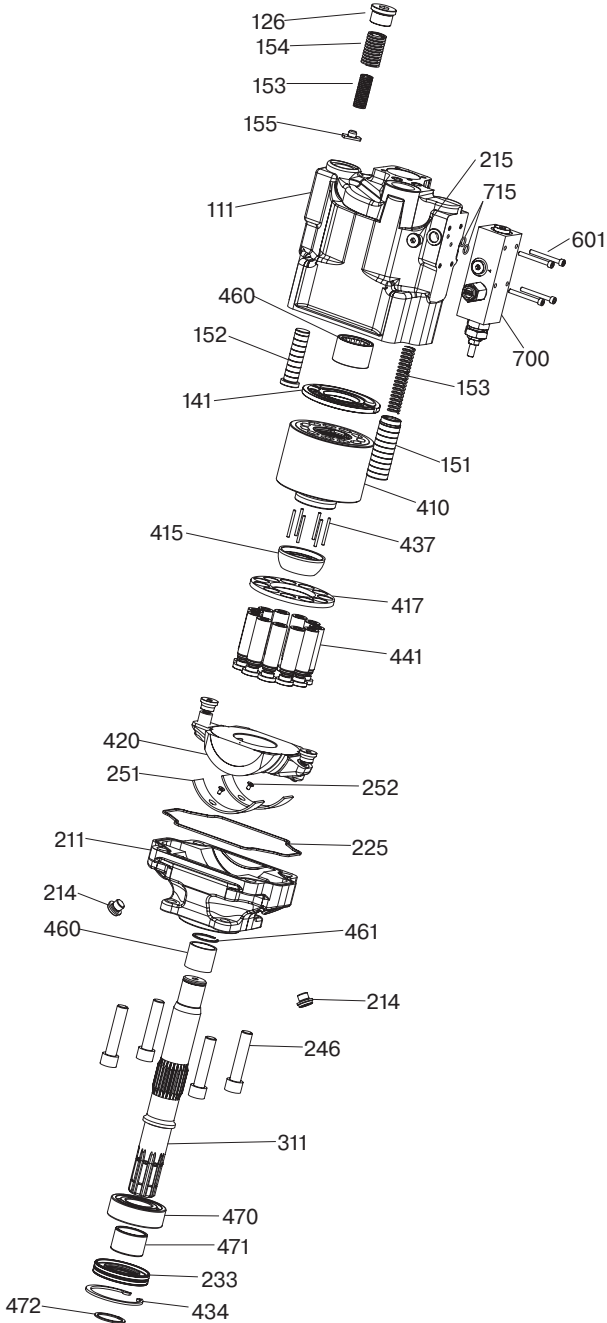


Pos	Part No	Description	Qty	Remarks
111	3780105	Barrel Housing Left	1	Type L
111	3780104	Barrel Housing Right	1	Type R
117		Guide Pin	2	Included in pos 141
118		Hex Socket Plug R1/4 Assy	1	Seal kit
120		Cover	1	Cover kit
122		O-ring	1	Seal kit OR Cover kit
123		Hexagon Screw	4	Cover kit
126		Hex Socket Plug M14 Assy	2	Seal kit
131		Bar Assy	1	Setting piston kit
132		Compression Spring	1	Setting piston kit
134		Washer	1	Setting piston kit
135		Hex S Scr	1	Setting piston kit
141	3724022	Valveplate L	1	including pos 117
141	3724021	Valveplate R	1	Including pos 117
151		Piston Assy	2	Setting piston kit
153		Compression Spring	2	Setting piston kit
211	3780088	Bearing Housing	1	Rep. 3796837
225		O-ring	1	Seal kit
227		Gasket	1	Seal kit
231	3792877	Seal Carrier	1	
233		Sealing ring	2	Seal kit
237		Retaining Ring Jk62	2	Rotating bearing kit
246		Hex Skt Screw M10*40 10.9	6	
251		Bearing Shell	2	Bearing shell kit
252		Sunk Head Screw	2	Bearing shell kit
311	3798117	Shaft	1	
411		Cylinder Barrel	1	Cylinder Barrel Assy kit
415		Ball	1	Cylinder Barrel Assy kit
416		Compression Spring	1	Cylinder Barrel Assy kit
417		Plate	1	Cylinder Barrel Assy kit
420	3798262	Swashplate Assy type R	1	Size 045
420	3798226	Swashplate Assy type L	1	Size 045
420	3722264	Swashplate Assy type R	1	Size 060
420	3722265	Swashplate Assy type L	1	Size 060
420	3798261	Swashplate Assy type R	1	Size 075
420	3798225	Swashplate Assy type L	1	Size 075
441		Piston Assy	9	Cylinder Barrel Assy kit
450		Bush Assy	5	Bush Assy kit
455		Compression Spring	5	Bush Assy kit

Pos	Part No	Description	Qty	Remarks
460		Plain Bearing	1	Rotating bearing kit
470		Tap Rol Bearing	1	Rotating bearing kit
471		Inner Ring	1	Rotating bearing kit
601		Hex Skt Screw M8*60 8.8	4	Incl in pos 700
700	3781227	Control Ls Assy	1	Incl. pos 601 & 715
715		O-ring	6	Seal kit + Incl in pos 700
751		Sealing nut	1	Seal kit + Incl in pos 700 r

### Spare part kits

Part number	Description	Position number included in kit
3780615	Seal kit	118, 122, 126, 225, 227, 233, 715, 751
3724014	Bearing shell kit	251, 252
3724015	Setting piston kit	131, 132, 134, 135, 151, 153
<b>3724016</b>	<b>Bush Assy</b>	<b>450, 455</b>
3724017	Rotating bearing kit	237, 460, 470, 471
3724018	Cylinder Barrel Assy kit	411, 415, 416, 417, 441
3724019	Cover kit	120, 122, 123



Pos	Part No	Description	Qty	Remarks
111	3787165	Barrel housing left	1	Type L
111	3787164	Barrel housing right	1	Type R
126		Hex socket plug M27	1	Seal kit
141	3724024	Valve plate + 6*14 pin	1	Type L 095 cc
141	3724023	Valve plate + 6*14 pin	1	Type R-095 cc
141	3724026	Valve Plate + 6*14 pin	1	Type-L-110+130cc
141	3724025	Valve Plate + 6*14 pin	1	Type-R-110+130cc
151		Large setting piston	1	Large setting piston kit
152		Small setting piston	1	Small setting piston kit
153		Spring	2	Large and Small setting piston kit
154		Spring	1	Small setting piston kit
155		Spring seat	1	Small setting piston kit
211	3787166	Bearing housing	1	
214		Hex plug R1/4	2	Seal kit
215		Hex plug R1/4	1	Seal kit
225		Oring	1	Seal Kit
233		Shaft seal	1	Seal Kit
246		Hex screw	4	M14*65 class 10.9 black,
251		Bearing cap	2	Bearing Shell kit
252		Torx screw	2	Bearing Shell kit
311	3785681	Shaft	1	
410		Cylinder barrel	1	Cylinder barrel assy kit
415		Sphere	1	Cylinder barrel assy kit
417		Slipper retainer	1	Cylinder barrel assy kit
420	3783729	Swashplate assy	1	Type L-95+110 cc
420	3783728	Swashplate assy	1	Type R-95+110 cc
420	3783727	Swashplate assy	1	Type-L-130 cc
420	3783726	Swashplate assy	1	Type-R-130 cc
434		Retaining Ring	1	Incl. in Seal kit
437		Pin	6	Cylinder barrel assy kit
441		Piston assy	11	Cylinder barrel assy kit
460		Needle bearing	1	Rotating Bearing Kit
461		Retaining ring	1	Rotating Bearing Kit
470		Bearing	1	Rotating Bearing Kit
471		Inner ring	1	Rotating Bearing Kit
472		Retaining ring	1	Rotating Bearing Kit
601		Hex Screw	4	M5*45 class 12.9,Incl in Regulator
700	3789999	Regulator LS	1	Incl. pos 601 + 715, 716
715		Oring 9,25*1,78 V80	2	Seal kit and in Regulator pos 700

**Spare part kits**

<b>Part number</b>	<b>Description</b>	<b>Position number included in kit</b>
3787370	Seal kit	126, 214, 215, 225, 233, 434, 715, 716
3723993	Bearing Shell Kit	251, 252
3723994	Rotating Bearing Kit	460, 461, 470, 471, 472
3722943	Cyl. Barrel Assy-095	410, 415, 417, 437, 441
3722944	Cyl. Barrel Assy-110/130	410, 415, 417, 437, 441
3723995	Large setting piston assy	151, 153
3723996	Small setting piston assy	126, 152, 153, 154, 155

## Declaration

---

### Position notification regarding Machinery Directive 2006/42/EC:

Products made by the Pump & Motor Division Europe (PMDE) of Parker Hannifin are excluded from the scope of the machinery directive following the "Cetop" Position Paper on the implementation of the Machinery Directive 2006/42/EC in the Fluid Power Industry.

All PMDE products are designed and manufactured considering the basic as well as the proven safety principles according to:

- ISO 13849-1:2015
- SS-EN ISO 4413:2010

so that the machines in which the products are incorporated meet the essential health and safety requirements.

Confirmations for components to be proven component, e. g. for validation of hydraulic systems, can only be provided after an analysis of the specific application, as the fact to be a proven component mainly depends on the specific application.

Dr. Hans Haas  
General Manger  
Pump & Motor Division Europe



### **WARNING – USER RESPONSIBILITY**

FAILURE OR IMPROPER SELECTION OR IMPROPER USE OF THE PRODUCTS DESCRIBED HEREIN OR RELATED ITEMS CAN CAUSE DEATH, PERSONAL INJURY AND PROPERTY DAMAGE.

This document and other information from Parker-Hannifin Corporation, its subsidiaries and authorized distributors provide product or system options for further investigation by users having technical expertise.

The user, through its own analysis and testing, is solely responsible for making the final selection of the system and components and assuring that all performance, endurance, maintenance, safety and warning requirements of the application are met. The user must analyze all aspects of the application, follow applicable industry standards, and follow the information concerning the product in the current product catalogue and in any other materials provided from Parker or its subsidiaries or authorized distributors.

To the extent that Parker or its subsidiaries or authorized distributors provide component or system options based upon data or specifications provided by the user, the user is responsible for determining that such data and specifications are suitable and sufficient for all applications and reasonably foreseeable uses of the components or systems.

### **Offer of Sale**

Please contact your Parker representation for a detailed "Offer of Sale".



**Parker Hannifin Manufacturing Sweden AB**  
Pump & Motor Division Europe  
Flygmotorvägen 2  
461 82 Trollhättan  
Sweden  
Tel. +46 (0)520 40 45 00  
[www.parker.com/pmde](http://www.parker.com/pmde)

MSG30-5517-M1/UK

© Copyright 2021  
All rights reserved