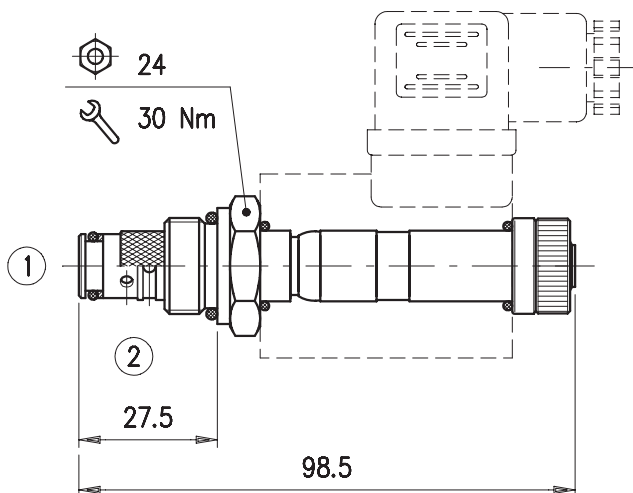
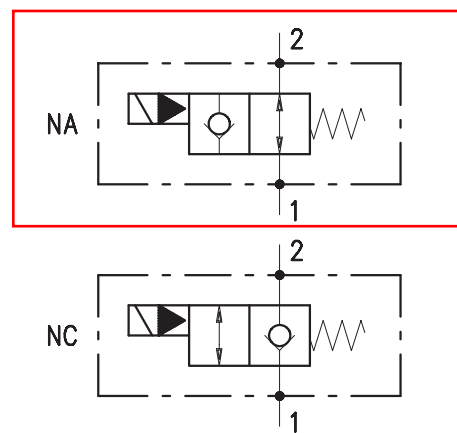


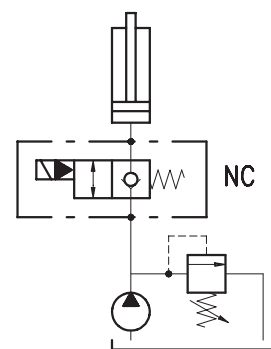
• DIMENSIONS (mm)



• HYDRAULIC DIAGRAM



• ASSEMBLY DIAGRAM



• DESCRIPTION

2-way electric valves, pilot operated poppet type.

• OPERATION

With the NA (normally opened) valve version and deenergized solenoid, the oil flow is free from 1 to 2 and vice versa. When the solenoid is energized the flow is stopped from 2 to 1 and is free from 1 to 2.

With the NC (normally closed) valve version and deenergized solenoid, the oil flow is stopped from 2 to 1 and is free from 1 to 2. When the solenoid is energized the flow is free from 1 to 2 and vice versa.

• PERFORMANCE

Maximum flow: 40 l/min.

Maximum pressure: 350 bar

Solenoids: BT/... see page Z.2001.100. NOTE: BT...RAC solenoids and special connector should be strictly used with the NA version powered by AC current

Oil leaks from 2 to 1: 0.10 cc/minute (2 drops) at 210 bar and oil viscosity of 46 cSt

Working temperature:

- Minimum -25°C max 90°C with standard BUNAN gaskets
- Minimum -20°C max 120°C with VITON gaskets on request

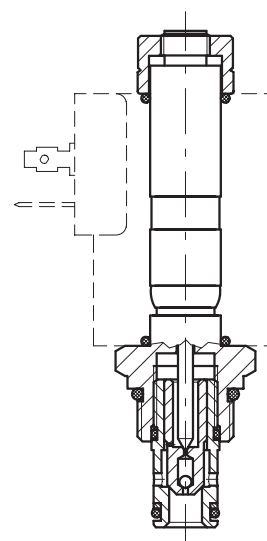
• RECOMMENDATIONS

Fluid: best use mineral oil with viscosity ranging between 10 and 200 cSt

Filter: see page Z.9000.000.

Installation: make sure to provide suitable gasket lubrication with clean oil before screwing the cartridge on the valve body. Also make sure to screw the cartridge manually in to reach against the gaskets in the valve body.

• CROSS SECTION



Cavities and tools: see page Z.1000.800.

Weight: 0.12 kg

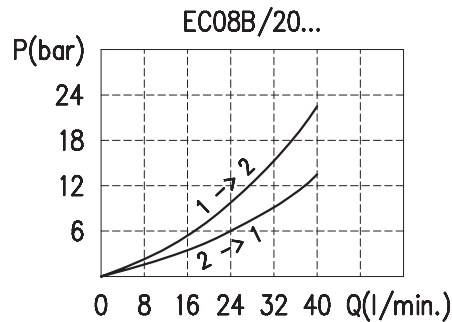
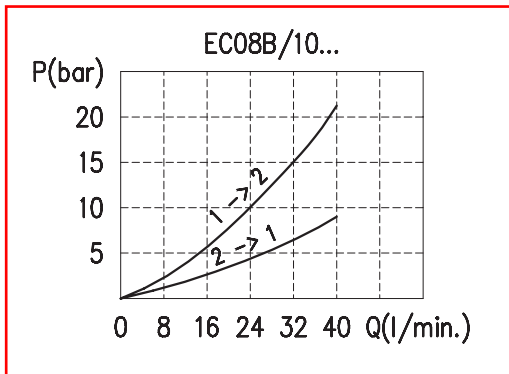
Material: high-grade steel duly treated and fabricated.

For more information please ask our technical office.

Variations and modifications of technical features and dimensions are reserved. **OLEOSTAR S.p.A.** also reserves the right to stop production of each and any model listed in the catalogue with no notice.

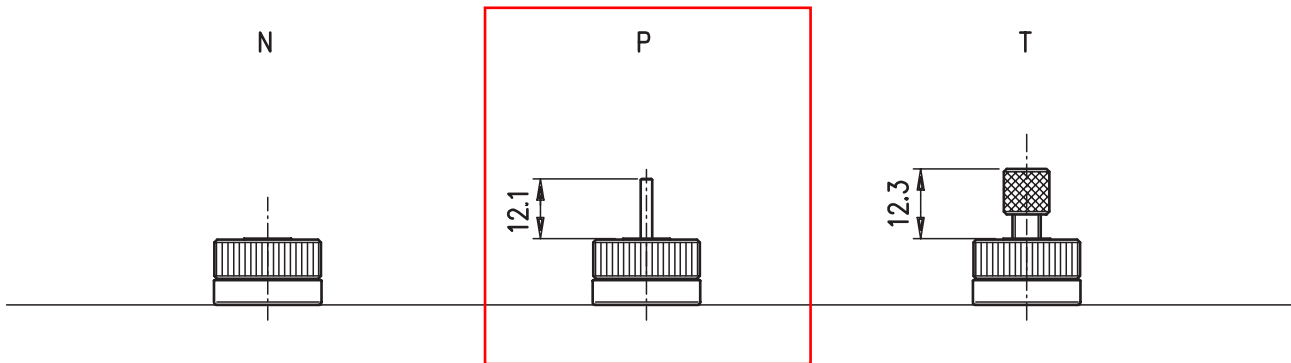
Copyrights on the text contained herein belong to **OLEOSTAR S.p.A.** . Partial and full reproductions or copies of this catalogue are forbidden.

• RATING DIAGRAMS



Oil viscosity 46 cSt

• ADJUSTMENTS



• CODE NUMBER

EC08B10PB

EC 08B / □ -0 -□ -□

Assembly scheme

1) NA Normally opened
2) NC Normally closed

Manual override option

N) No emergency
P) Button
T) Screw

Seals

B) Buna
V) Viton