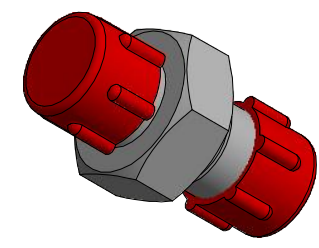
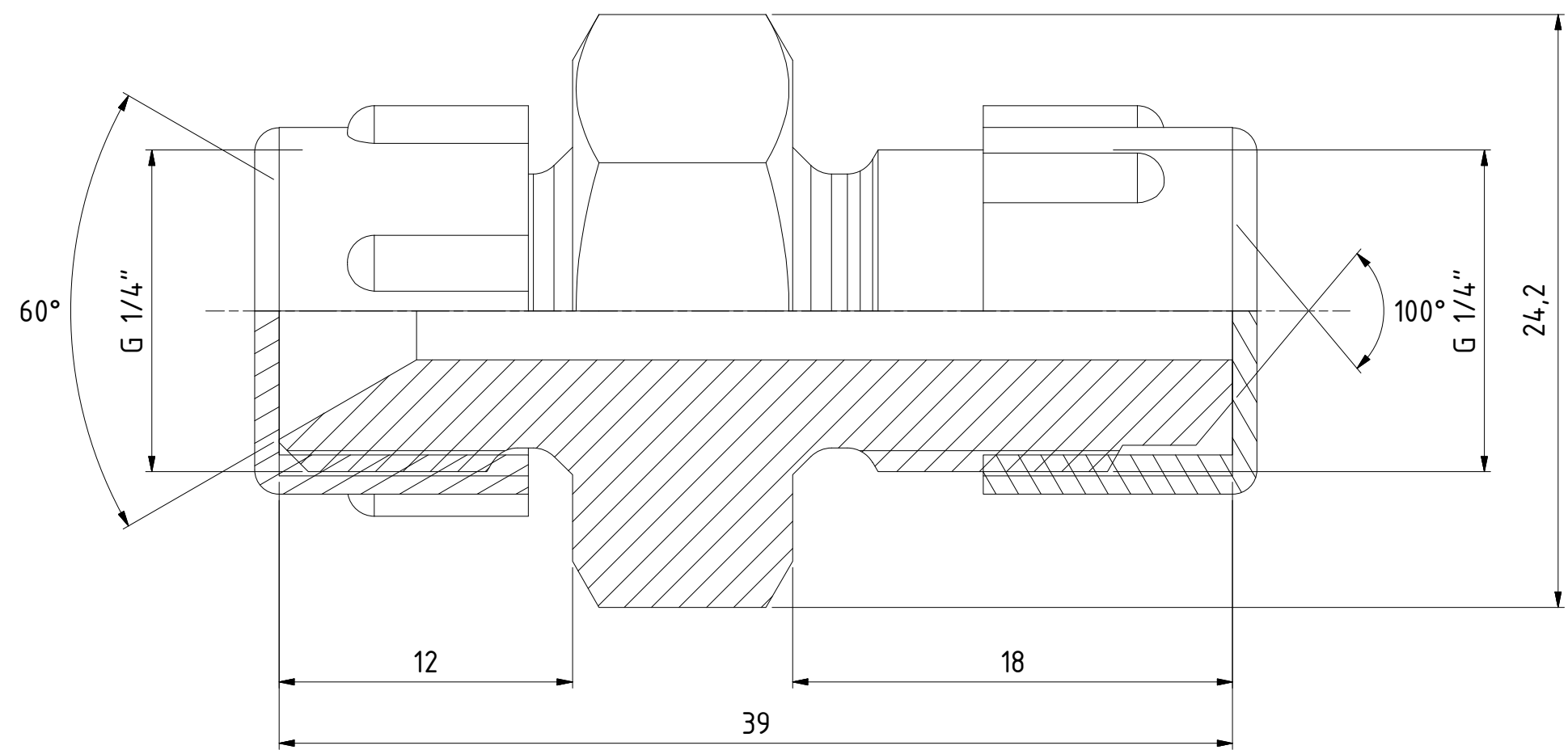


This document must not be copied, either completely or in part, without permission. Any infringement will have legal consequences ©



1 : 1



Product No. 199501602	
Nominal flow \varnothing DN:	4.0 mm
Max WP Connected:	3000 bar
Min BP Connected:	5000 bar
Temperature range:	-°C - -°C
Connection 1:	See drawing
Connection 2:	See drawing
Connection 3:	
Connection 4:	
Hexagon:	21
Recommended torque:	40-50 Nm



Item	Qty	Description	Material
2	2	Thread protection	Plastic
1	1	Male/male thread adaptor	Steel, Zn-Fe 8 black



Scale	4 : 1	Drawn	CABANLA	Checked	EP07	Appr.	JW	ECO	11923	Date	2018-01-11
Drawing No. 509501602								Issue	AC	Sheet	1 / (1)

