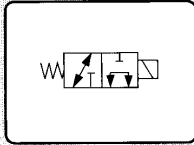
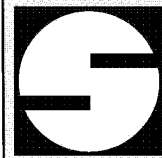


# 2/3-Wege-Magnetventil GS04

## Typ GS04 33 u. ...35

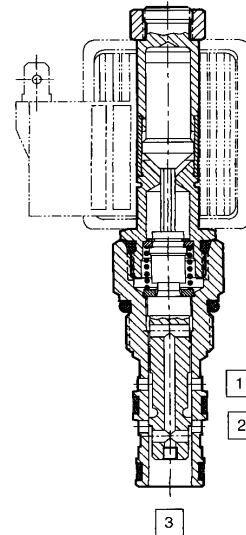


UP TO **30** L/MIN **8.5** USGPM  
 AND **350** BAR **5000** PSI

**GS04 33**  
**GS04 35**

### SOLENOID SPOOL VALVE 2/3 WAY SIDE CYLINDER PORT

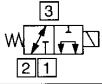
- THREE way on-off valve with side cylinder port designed as a normally closed or normally open valve to operate single acting cylinders, pilot circuits or circuits with a three position function (using two cartridges). This valve could also be used as a selector valve.
- High flow capacity with reduced space requirements.
- High pressure capability to 350 bar 5000 psi.
- One piece cartridge housing ensures internal concentricity.
- Waterproof coil hermetically sealed, requires no O-rings.
- Symmetrical coil can be reversed without affecting performance.
- Manual override available.



PATENT  
 #5,002,253

Änderungen vorbehalten

### SPECIFICATIONS

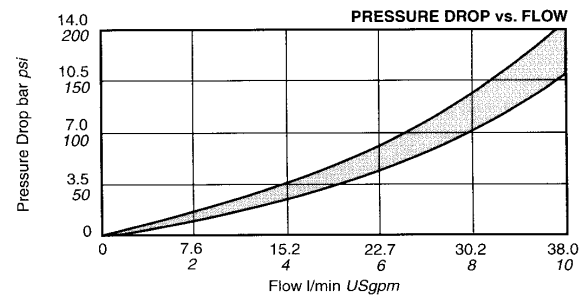
BASIC MODEL NUMBER	STANDARD GS04 33	HIGH FLOW GS04 33	HIGH PRESSURE GS04 35
SYMBOL			
NOMINAL FLOW AT Δp = 5 bar 70 psi	24.5 l/min 6.5 USgpm	32 l/min 8.5 USgpm	26.5 l/min 7 USgpm
PRESSURE	210 bar 3000 psi		350 bar 5000 psi
FUNCTION	FREE FLOW 2-3 IN BOTH DIRECTIONS WHEN SOLENOID IS DE-ENERGIZED		
SERIES CA COIL WATTS. (100% DUTY CYCLE)	18w (S' Coil)	28w (P' Coil)	
MIN AMPERAGE TO OPERATE VALVE AT MAX RATED PRESSURE & FLOW	75% OF NOMINAL AMPERAGE, DETAILS: COIL DATA SHEET page 256		
PREFERABLE INPUT/OUTPUT PORT LOCATION	UNRESTRICTED		
INSTALLATION	UNRESTRICTED		
FLUID *	MINERAL OIL OR SYNTHETIC FLUID WITH LUBRICANT PROPERTIES		
IDEAL VISCOSITY *	15-50 cSt 80-230 SSU		
SEAL MATERIAL/TEMPERATURE *	NITRILE (Std.) -30°C to +100°C -20°F to +210°F BUNA-N VITON -20°C to +150°C -4°F to +330°F		
FILTRATION *	25 MICRONS (Nom.) OR BETTER		
CART. WEIGHT	0.32 kg 0.71 lb		
COIL WEIGHT	0.29 kg 0.64 lb		

\* IMPORTANT: See pages 2-3 for additional notes on operating conditions.

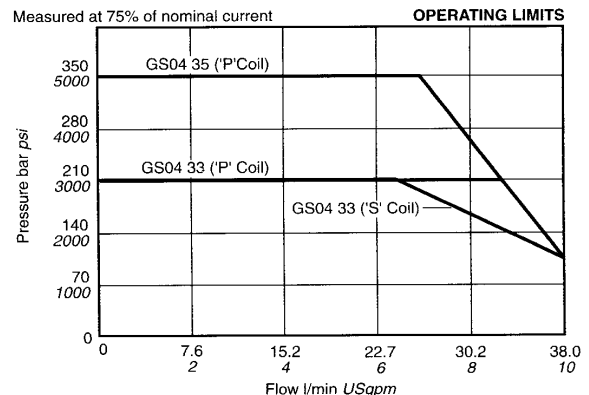
Specifications may change without notice

### TYPICAL PERFORMANCE

Measured at 30cSt 140 SSU (For cartridge only)

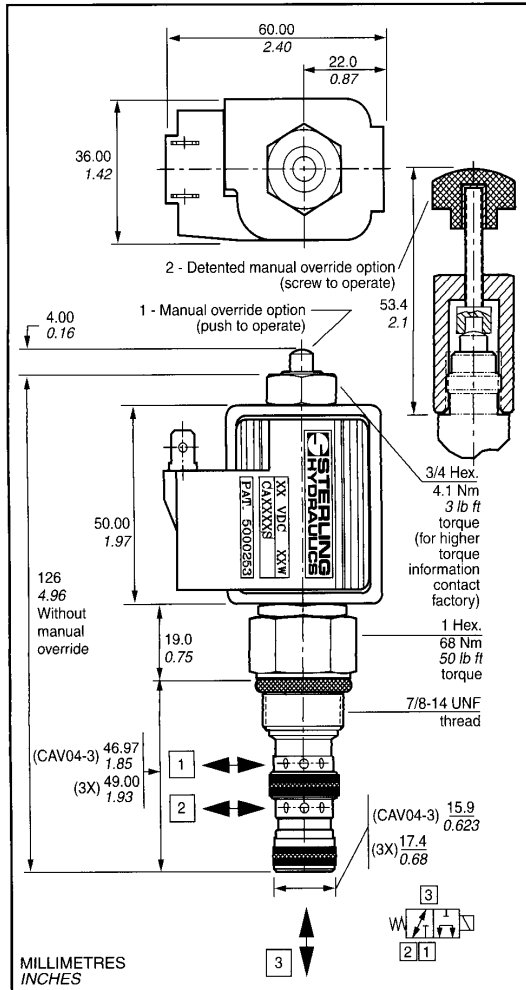


Measured at 75% of nominal current

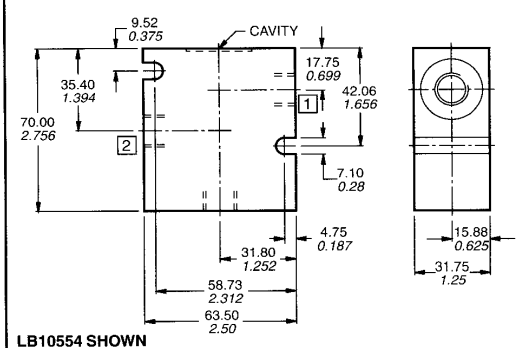


## 2/3-Wege-Magnetventil GS04 Typ GS04 33 u. ...35

### DIMENSIONS



### LINE BODY CAVITY CAV04-3: 7/8-14 Thread (10-3 Industry common cavity) CAVITY 3X: 7/8-14 Thread



### CAVITY TOOLING FOR CAV04-3

	MM	INCH	
PILOT DRILL Ø	15	0.59	REAMER (STEEL) 8RM31069S
STEP DRILL	8DS31359		COUNTERBORE —
REAMER (ALUM)	8RM31069A		TAP 8TP31201

MACHINING DETAILS page 391

### CARTRIDGE GS04

PRESSURE AND PERFORMANCE FEATURES (Normally closed)	33	STANDARD ('S' Coil)	
	33	HIGH FLOW ('P' Coil)	X
	35	HIGH PRESSURE ('P' Coil)	X
MANUAL OVERRIDE (Option)	0	NOT REQUIRED	X
	1	MANUAL OVERRIDE	X
	2	DETENTED M.O. Part no.900690	
FILTER SCREEN (Option)	0	NOT AVAILABLE	X X
SEAL MATERIAL	N	NITRILE <i>BUNA-N</i> (Std.)	X
	V	VITON	
CAVITY		OMIT FOR 3X CAVITY	
		INDUSTRY COMMON CAVITY	

### COIL CA

COIL WATTAGE	S	STANDARD 18w
	P	PUISSANT 28w
COIL VOLTAGE*	012	12V DC
	024	24V DC
	115	115V AC
	230	230V AC
COIL TERMINAL*	S	DOUBLE SPADE (DC Only)
	L	DOUBLE LEAD (DC Only)
	D	DIN 43650 (AC or DC)
	C	DOUBLE LEAD WIRE WITH CONDUIT CONNECTOR (AC or DC)
	PF	DOUBLE LEAD WIRE WITH FEMALE PACKARD CONNECTOR (DC Only)
	PM	DOUBLE LEAD WIRE WITH MALE PACKARD CONNECTOR (DC Only)
	W	DOUBLE SCREW (DC only)
	Y	SINGLE SCREW (Internally grounded) (DC Only)
	WE	DOUBLE SCREW WITH 3 AMP DIODE (DC Only)
	AD	AMP JUNIOR WITH 3 AMP DIODE (CC Coils only) (DC Only)
LD	DOUBLE LEAD WITH DEUTSCH CONNECTOR (DC Only)	

\* ADDITIONAL VOLTAGES AND OTHER TERMINALS ARE AVAILABLE, FOR DETAILS PLEASE CONSULT FACTORY

COIL DETAILS page 256

### LINE BODY LB10

PORTING	7/8-14 (CAV 04-3)	7/8-14 (3X)
	715 1/2 SAE	551 3/8 NPTF
	716 3/8 BSP	553 1/2 SAE 554 3/8 BSP
LINE BODY MATERIAL	A	ALUMINIUM (Anodised) TO 210 bar 3000 psi
	S	STEEL (Zinc plated) TO 420 bar 6000 psi

LINE BODY DETAILS pages 363, 376

IF ASSEMBLY OF ABOVE PARTS IS REQUIRED - SPECIFY "ASSEMBLED"

SEAL KIT (CAV 04-3)	SK30505N-1 (NITRILE- <i>BUNA N</i> ) SK30505V-1 (VITON)
SEAL KIT (3X CAVITY)	SK30081N-1 (NITRILE- <i>BUNA N</i> ) SK30081V-1 (VITON)

