

This document must not be copied, either completely or in part, without permission. Any infringement will have legal consequences ©



D

C

B

A

6

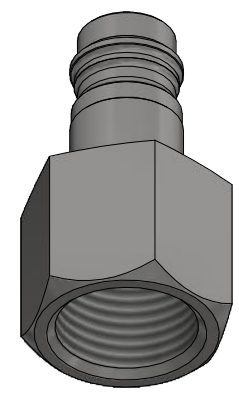
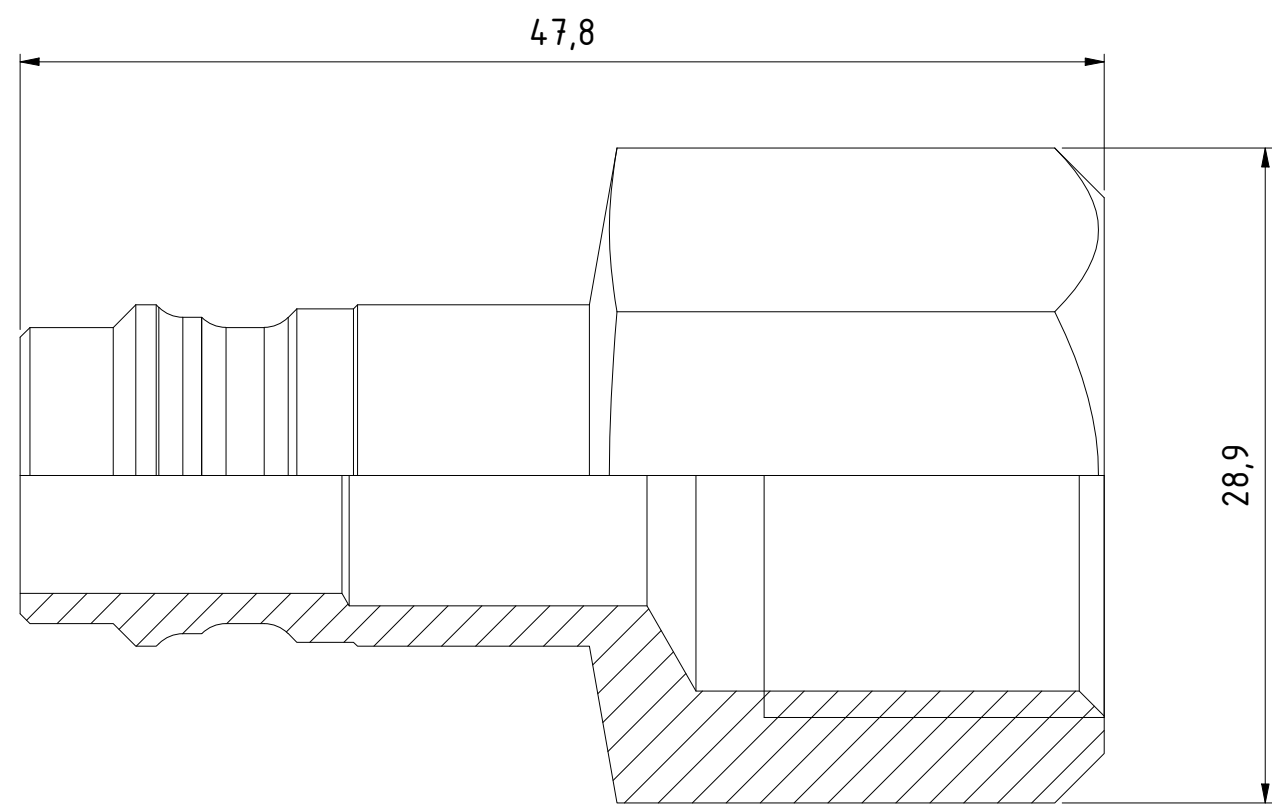
5

4

3

2

1



1 : 1

D

C

B

A

Product No.	104425205
Nominal flow $\varnothing$ DN:	10.4 mm
Connection Stroke:	mm
Max WP Connected:	35 bar
Min BP Connected:	140 bar
Temperature range:	$^{\circ}\text{C} - ^{\circ}\text{C}$
Connection:	G 1/2" fem
Sealing material:	
Hexagon:	25

1	1	Nipple	Hard. Steel, Zn 8 silver				
Item	Qty	Description	Material				
		Scale: 3 : 1	Drawn: CABLHE	Checked: JOTU	Appr.: JOOL	ECO: 000955	Date: 2021-06-15
					Drawing No. 504425205		Issue: AC Sheet: 1 / (1)

6

5

4

3

2

1