



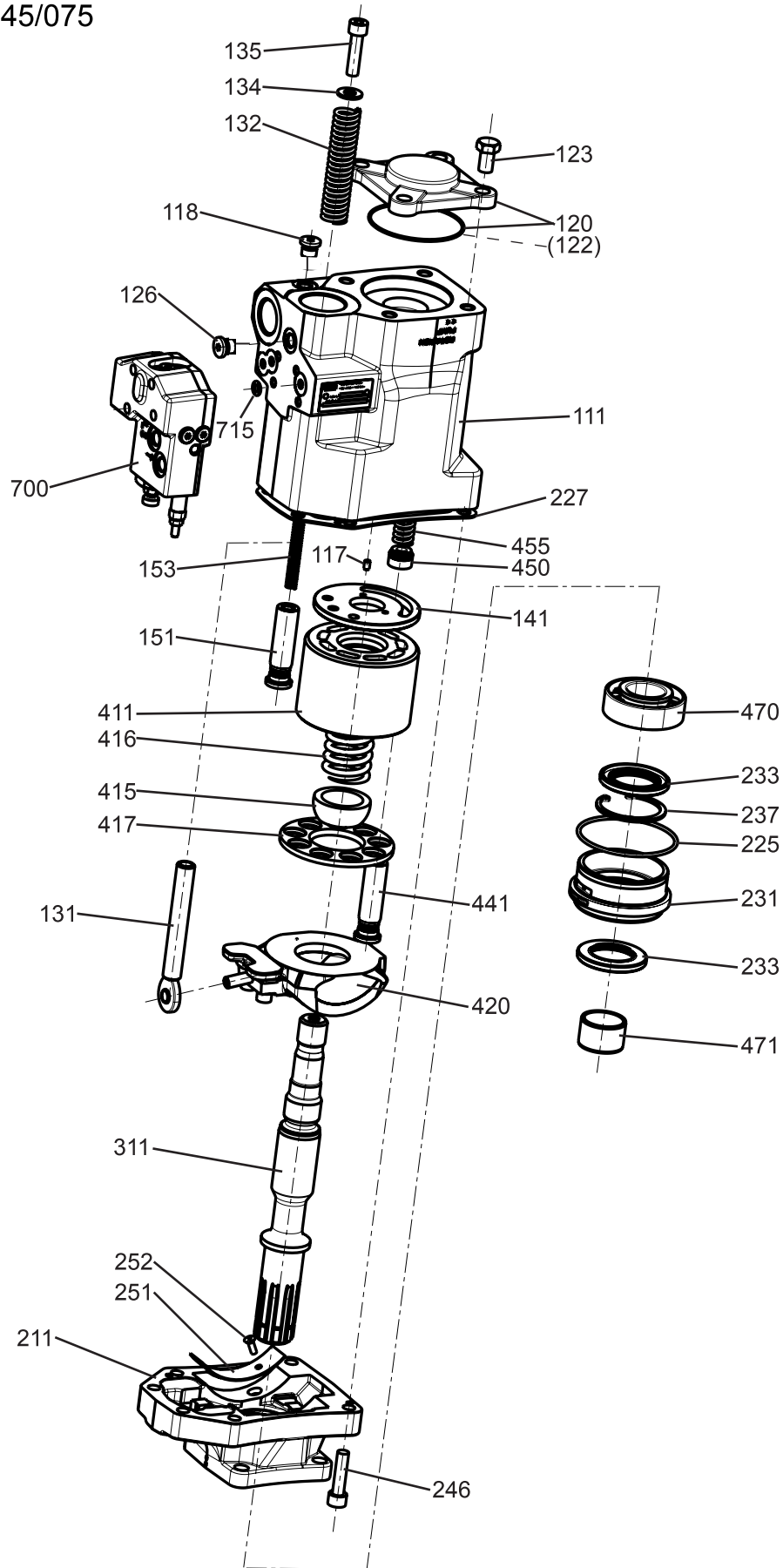
Bulletin HY30-5517-M1/UK

Spare Parts Series VP1

Effective: April, 2020
Supersedes: January, 2019



Splitview VP1-045/075



Item	Part No.	Description	Qty.	Remarks
441	3796799	Piston Assy	9	
450	3789131	Bush Assy	5	
455	3797690	Compression Spring	5	
460	3796926	Plain Bearing	1	
470	3796929	Tap Rol Bearing	1	
471	3796039	Inner Ring	1	
601	3780158	Hex Socket Screw M8*60	4	
700	3781227	Control Ls Assy	1	

Kits

Part no	Title	Info	Contain pos
3780615	Seal kit type N	Nitril	122, 225, 227, 233, 715, 751